

NEX10 Male Low PIM Connector Solder Attachment for TFT-5G-402



TC-402-NX10M-LP



Times Microwave Systems Connector Specification

Configuration

- NEX10 Male Connector
- 50 Ohms
- Straight Body Geometry
- Connector Interface Types: TFT-5G-402
- Low PIM Design

Features

- Operating Frequency of 6 GHz Max.
- Good VSWR of 1.3:1
- PIM levels better than -160 dBc
- Silver Plated Brass Contact
- 100 µin contact plating

Applications

- General Purpose Test
- Wireless Communications
- Custom Cable Assemblies
- Low PIM Applications
- Distributed Antenna Systems (DAS)

Description

NEX10 Male Low PIM Connector Solder/Solder Attachment for TFT-5G-402 Cable, part number TC-402-NX10M-LP, from Fairview Microwave is in-stock and ships same day. This NEX10 male connector operates up to a maximum frequency of 6 GHz and offers good VSWR of 1.3:1. The NEX10 male connector also has low passive intermodulation (PIM) of -160 dBc.

Fairview's NEX10 male connector TC-402-NX10M-LP datasheet specifications and outline drawing are shown in this PDF below. Our extensive offering of RF, microwave and millimeter wave connectors allows designers to configure and customize their signal connections however they like. From providing an I/O for a board design to creating a custom cable assembly configuration, Fairview Microwave has a connector solution to meet your needs. Fairview Microwave also has the expertise to build your custom cable assemblies for you and ship them same-day.

Electrical Specifications

Description	Minimum	Typical	Maximum	Units
Frequency Range	DC		6	GHz
VSWR			1.3:1	
Insertion Loss			0.24	dB
Passive Intermodulation			-160	dBc
Operating Voltage (DC)			750	Vdc
Insulation Resistance	5,000			MOhms
Impedance		50		Ohms

Electrical Specification Notes:
Insertion Loss is $0.1 \cdot \sqrt{f}$ (FGHz)

Mechanical Specifications

Size

Length	0.866 in [22 mm]
Width	0.472 in [11.99 mm]
Height	0.472 in [11.99 mm]
Weight	0.03 lbs [13.61 g]

NEX10 Male Low PIM Connector Solder Attachment for TFT-5G-402



TC-402-NX10M-LP

Mating Cycles	100 Cycles
Mating Torque	9 in-lbs [[1.02 Nm]]
Cable Retention Force	56 lbs [25.4 kg]

Material Specifications

Description	Material	Plating
Contact	Brass	Silver 100 µin
Insulation	PTFE	
Body	Brass	Silver 100 µin
Coupling Nut	Brass	Tri-Metal 100 µin
Gasket	Silicone Rubber	

Environmental Specifications

Temperature	
Operating Range	-40 to +125 deg C
Shock	MIL-STD 202G, Meth. 213, Cond. I
Vibration	MIL-STD 202G, Meth. 204, Cond. B
Thermal Shock	MIL-STD 202G, Meth. 107, Cond. B
Environmental Specification Notes:	
Climatic Class:	IEC 60068 55/155/56

Compliance Certifications (see [product page](#) for current document)

Plotted and Other Data

Notes:

NEX10 Male Low PIM Connector Solder Attachment for TFT-5G-402 from Fairview Microwave is in-stock and available to ship same-day. All of our RF/microwave products are available off-the-shelf from our ISO 9001:2008 certified facilities in Lewisville, Texas. Fairview Microwave is RF on-demand.

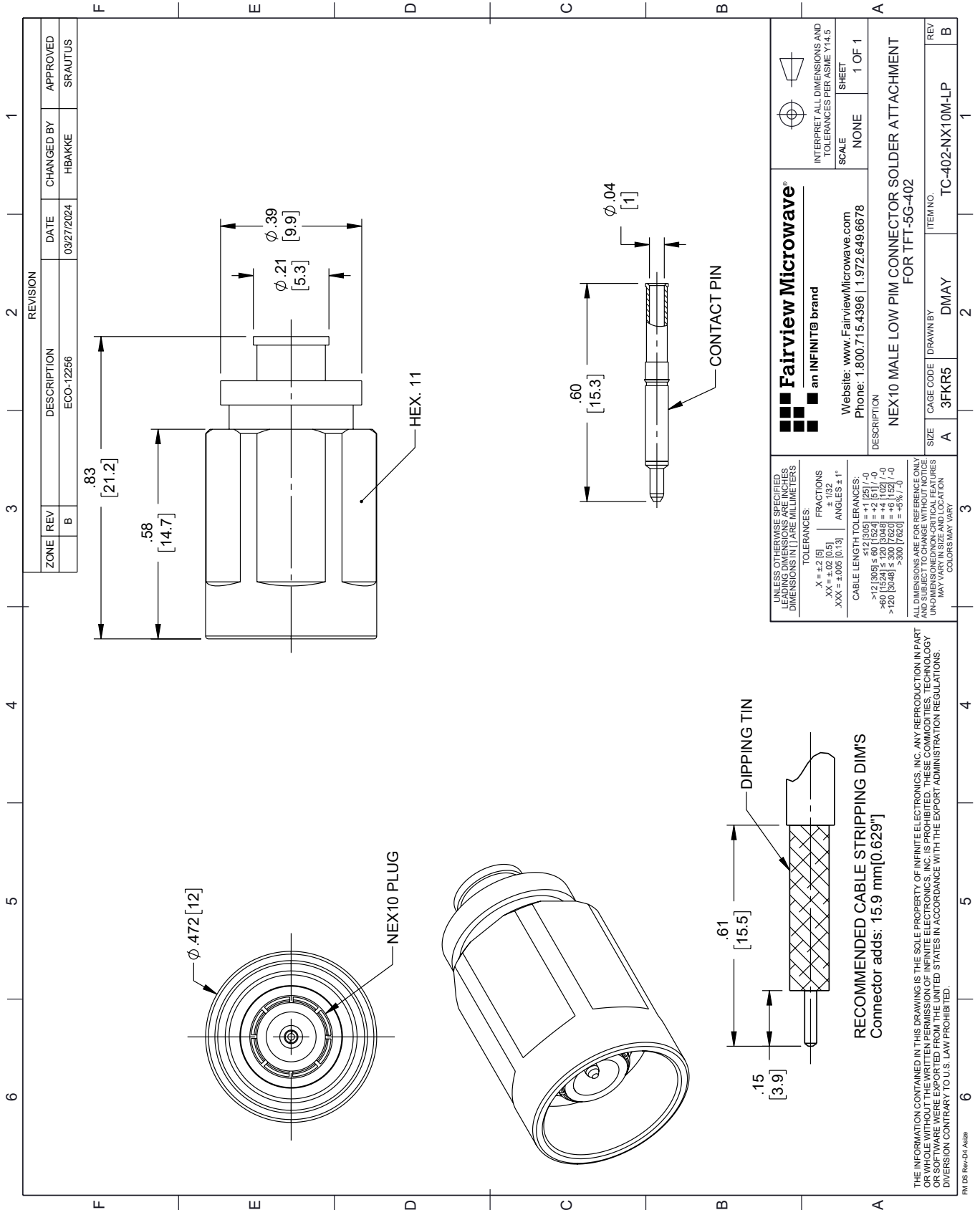
For additional information on this product, please click the following link: [NEX10 Male Low PIM Connector Solder Attachment for TFT-5G-402 TC-402-NX10M-LP](#)

URL: <https://www.fairviewmicrowave.com/nex10-male-tft-402-connector-tc-402-nx10m-lp-p.aspx>

The information contained within this document is accurate to the best of our knowledge and representative of the part described herein. It may be necessary to make modifications to the part and/or the documentation of the part in order to implement improvements. Fairview Microwave reserves the right to make such changes as required. Unless otherwise stated, all specifications are nominal. Fairview Microwave does not make any representation or warranty regarding the suitability of the part described herein for any particular purpose, and Fairview Microwave does not assume liability arising out of the use of any part or document.

TC-402-NX10M-LP CAD Drawing

NEX10 Male Low PIM Connector Solder Attachment for TFT-5G-402



REVISION		DATE	CHANGED BY	APPROVED
ZONE	REV	DESCRIPTION		
	B	ECO-12256	HBAKKE	SRAUTUS

 an INFINIT® brand		Website: www.FairviewMicrowave.com Phone: 1.800.715.4396 1.972.649.6678		INTERPRET ALL DIMENSIONS AND TOLERANCES PER ASME Y14.5
UNLESS OTHERWISE SPECIFIED, LEADING DIMENSIONS ARE IN INCHES. DIMENSIONS IN [] ARE MILLIMETERS.		TOLERANCES:		SCALE: NONE SHEET: 1 OF 1
X = ±.2 [5] FRACTIONS ± 1/32 .XX = ±.02 [0.5] ANGLES ± 1° .XXX = ±.005 [0.13]		CABLE LENGTH TOLERANCES: <12 [305] ≤ 60 [1524] = ±.1 [2.5] / -0 >60 [1524] ≤ 120 [3048] = ±.4 [10.2] / -0 >120 [3048] ≤ 300 [7620] = ±.8 [20.3] / -0		
ALL DIMENSIONS ARE FOR REFERENCE ONLY. UNLESS OTHERWISE SPECIFIED, DIMENSIONS MAY VARY IN SIZE AND LOCATION. COLORS MAY VARY.		DESCRIPTION: NEX10 MALE LOW PIM CONNECTOR SOLDER ATTACHMENT FOR TFT-5G-402		
SIZE	CAGE CODE	DRAWN BY	ITEM NO.	REV
A	3FKR5	DMAY	TC-402-NX10M-LP	B

THE INFORMATION CONTAINED IN THIS DRAWING IS THE SOLE PROPERTY OF INFINITE ELECTRONICS, INC. ANY REPRODUCTION IN PART OR WHOLE WITHOUT THE WRITTEN PERMISSION OF INFINITE ELECTRONICS, INC. IS PROHIBITED. THESE COMMODITIES, TECHNOLOGY OR SOFTWARE WERE EXPORTED FROM THE UNITED STATES IN ACCORDANCE WITH THE EXPORT ADMINISTRATION REGULATIONS. DIVERSION CONTRARY TO U.S. LAW PROHIBITED.

PM DS Rev-D4 Add3