

4.1/9.5 Mini DIN Female Low PIM Connector Solder Attachment for TFT-5G-402



TC-402-4195F-LP



Times Microwave Systems Connector Specification

Configuration

- 4.1/9.5 Mini DIN Female Connector
- 50 Ohms
- Straight Body Geometry
- Connector Interface Types: TFT-5G-402
- Low PIM Design

Features

- Operating Frequency of 6 GHz Max.
- Good VSWR of 1.35:1
- PIM levels better than -160 dBc
- Silver Plated Phosphor Bronze Contact
- 200 µin contact plating

Applications

- General Purpose Test
- Wireless Communications
- Custom Cable Assemblies
- Low PIM Applications
- Distributed Antenna Systems (DAS)

Description

4.1/9.5 Mini DIN Female Low PIM Connector Solder/Solder Attachment for TFT-5G-402 Cable, part number TC-402-4195F-LP, from Fairview Microwave is in-stock and ships same day. This 4.1/9.5 Mini DIN female connector operates up to a maximum frequency of 6 GHz and offers good VSWR of 1.35:1. The 4.1/9.5 Mini DIN female connector also has low passive intermodulation (PIM) of -160 dBc.

Fairview's 4.1/9.5 Mini DIN female connector TC-402-4195F-LP datasheet specifications and outline drawing are shown in this PDF below. Our extensive offering of RF, microwave and millimeter wave connectors allows designers to configure and customize their signal connections however they like. From providing an I/O for a board design to creating a custom cable assembly configuration, Fairview Microwave has a connector solution to meet your needs. Fairview Microwave also has the expertise to build your custom cable assemblies for you and ship them same-day.

Electrical Specifications

Description	Minimum	Typical	Maximum	Units
Frequency Range	DC		6	GHz
VSWR			1.35:1	
Insertion Loss			0.24	dB
Passive Intermodulation			-160	dBc
Operating Voltage (DC)			2,500	Vdc
Insulation Resistance	10,000			MOhms
Impedance		50		Ohms

Performance by Frequency

Description	F1	F2	F3	F4	F5	Units
Frequency Range	DC to 3	3 to 6				GHz
VSWR, Max	1.1:1	1.35:1				

Electrical Specification Notes:
Insertion Loss is $0.1 \cdot \sqrt{f(\text{GHz})}$

4.1/9.5 Mini DIN Female Low PIM Connector
Solder Attachment for TFT-5G-402



TC-402-4195F-LP

Mechanical Specifications

Size

Length	1.04 in [26.42 mm]
Width	0.374 in [9.50 mm]
Height	0.374 in [9.5 mm]
Weight	0.03 lbs [13.61 g]
Mating Cycles	500 Cycles
Cable Retention Force	112 lbs [50.8 kg]

Material Specifications

Description	Material	Plating
Contact	Phosphor Bronze	Silver 200 µin
Insulation	PTFE	
Outer Conductor	Brass	Tri-Metal 80 µin
Body	Brass	Tri-Metal 80 µin

Environmental Specifications

Temperature

Operating Range	-55 to +85 deg C
Shock	MIL-STD 202G, Meth. 213, Cond. I
Vibration	MIL-STD 202G, Meth. 204, Cond. B
Thermal Shock	MIL-STD 202G, Meth. 107, Cond. B

Environmental Specification Notes:
Climatic Class: IEC 60068 55/155/56

Compliance Certifications (see [product page](#) for current document)

Plotted and Other Data

Notes:

4.1/9.5 Mini DIN Female Low PIM Connector Solder Attachment for TFT-5G-402



TC-402-4195F-LP

4.1/9.5 Mini DIN Female Low PIM Connector Solder Attachment for TFT-5G-402 from Fairview Microwave is in-stock and available to ship same-day. All of our RF/microwave products are available off-the-shelf from our ISO 9001:2008 certified facilities in Lewisville, Texas. Fairview Microwave is RF on-demand.

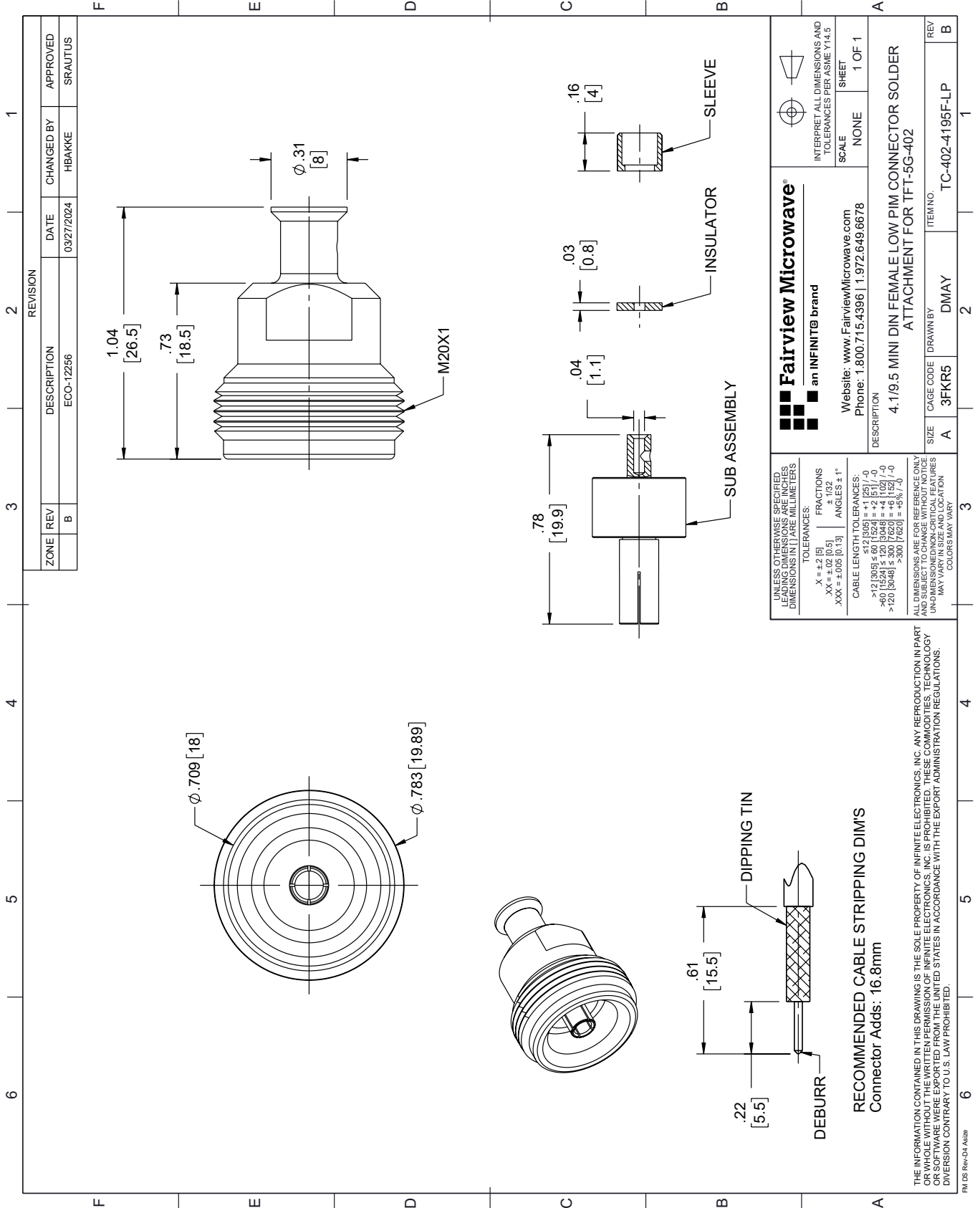
For additional information on this product, please click the following link: [4.1/9.5 Mini DIN Female Low PIM Connector Solder Attachment for TFT-5G-402 TC-402-4195F-LP](#)

URL: <https://www.fairviewmicrowave.com/4.1-9.5-mini-din-female-tft-402-connector-tc-402-4195f-lp-p.aspx>

The information contained within this document is accurate to the best of our knowledge and representative of the part described herein. It may be necessary to make modifications to the part and/or the documentation of the part in order to implement improvements. Fairview Microwave reserves the right to make such changes as required. Unless otherwise stated, all specifications are nominal. Fairview Microwave does not make any representation or warranty regarding the suitability of the part described herein for any particular purpose, and Fairview Microwave does not assume liability arising out of the use of any part or document.

TC-402-4195F-LP CAD Drawing

4.1/9.5 Mini DIN Female Low PIM Connector Solder Attachment for TFT-5G-402



REVISION		DATE	CHANGED BY	APPROVED
ZONE	REV	DESCRIPTION		
	B	ECO-12256	HBAKKE	SRAUTUS

 Fairview Microwave an INFINITB brand		Website: www.FairviewMicrowave.com Phone: 1.800.715.4396 1.972.649.6678	INTERPRET ALL DIMENSIONS AND TOLERANCES PER ASME Y14.5 SCALE: NONE SHEET: 1 OF 1
UNLESS OTHERWISE SPECIFIED, LEADING DIMENSIONS ARE IN INCHES. DIMENSIONS IN [] ARE MILLIMETERS.		TOLERANCES: .X = ±.2 [5] .XX = ±.02 [0.5] .XXX = ±.005 [0.13]	FRACTIONS: ± 1/32 ANGLES: ± 1°
ALL DIMENSIONS ARE FOR REFERENCE ONLY. UNDIMENSIONED/NON-CRITICAL FEATURES MAY VARY IN SIZE AND LOCATION. COLORS MAY VARY.		CABLE LENGTH TOLERANCES: >12 [305] ≤ 60 [1524] = ±.1 [25] / -0 >60 [1524] ≤ 120 [3048] = ±.4 [102] / -0 >120 [3048] ≤ 300 [7620] = ±.6 [15] / -0	DESCRIPTION: 4.1/9.5 MINI DIN FEMALE LOW PIM CONNECTOR SOLDER ATTACHMENT FOR TFT-5G-402 SIZE: A CAGE CODE: 3FKR5 DRAWN BY: DMAY ITEM NO.: TC-402-4195F-LP

RECOMMENDED CABLE STRIPPING DIMS
 Connector Adds: 16.8mm

THE INFORMATION CONTAINED IN THIS DRAWING IS THE SOLE PROPERTY OF INFINITE ELECTRONICS, INC. ANY REPRODUCTION IN PART OR WHOLE WITHOUT THE WRITTEN PERMISSION OF INFINITE ELECTRONICS, INC. IS PROHIBITED. THESE COMMODITIES, TECHNOLOGY OR SOFTWARE WERE EXPORTED FROM THE UNITED STATES IN ACCORDANCE WITH THE EXPORT ADMINISTRATION REGULATIONS. DIVERSION CONTRARY TO U.S. LAW PROHIBITED.

PM DS Rev-D4 Add2