

1.0/2.3 Plug Low PIM Connector Solder Attachment for TFT-5G-402



TC-402-1023M-LP



Times Microwave Systems Connector Specification

Configuration

- 1.0/2.3 Plug Connector
- 50 Ohms
- Straight Body Geometry
- Connector Interface Types: TFT-5G-402
- Low PIM Design

Features

- Operating Frequency of 6 GHz Max.
- Good VSWR of 1.3:1
- PIM levels better than -150 dBc
- Silver Plated Brass Contact
- 200 µin contact plating

Applications

- General Purpose Test
- Wireless Communications
- Custom Cable Assemblies
- Low PIM Applications
- Distributed Antenna Systems (DAS)

Description

1.0/2.3 Plug Low PIM Connector Solder/Solder Attachment for TFT-5G-402 Cable, part number TC-402-1023M-LP, from Fairview Microwave is in-stock and ships same day. This 1.0/2.3 plug connector operates up to a maximum frequency of 6 GHz and offers good VSWR of 1.3:1. The 1.0/2.3 plug connector also has low passive intermodulation (PIM) of -150 dBc.

Fairview's 1.0/2.3 plug connector TC-402-1023M-LP datasheet specifications and outline drawing are shown in this PDF below. Our extensive offering of RF, microwave and millimeter wave connectors allows designers to configure and customize their signal connections however they like. From providing an I/O for a board design to creating a custom cable assembly configuration, Fairview Microwave has a connector solution to meet your needs. Fairview Microwave also has the expertise to build your custom cable assemblies for you and ship them same-day.

Electrical Specifications

Description	Minimum	Typical	Maximum	Units
Frequency Range	DC		6	GHz
VSWR			1.3:1	
Insertion Loss			0.24	dB
Passive Intermodulation			-150	dBc
Operating Voltage (DC)			2,500	Vdc
Insulation Resistance	10,000			MOhms
Impedance		50		Ohms

Electrical Specification Notes:
Insertion Loss is $0.1 \cdot \sqrt{f(\text{GHz})}$

Mechanical Specifications

Size

Length	0.93 in [23.62 mm]
Width	0.33 in [8.38 mm]
Height	0.33 in [8.38 mm]
Weight	0.03 lbs [13.61 g]

1.0/2.3 Plug Low PIM Connector Solder Attachment for TFT-5G-402



TC-402-1023M-LP

Mating Cycles	500 Cycles
Cable Retention Force	112 lbs [50.8 kg]

Material Specifications

Description	Material	Plating
Contact	Brass	Silver 200 µin
Insulation	PTFE	
Body	Brass	Tri-Metal 80 µin
Coupling Nut	Brass	Tri-Metal 80 µin

Environmental Specifications

Temperature	
Operating Range	-40 to +125 deg C
Shock	MIL-STD 202G, Meth. 213, Cond. I
Vibration	MIL-STD 202G, Meth. 204, Cond. B
Thermal Shock	MIL-STD 202G, Meth. 107, Cond. B

Environmental Specification Notes:
Climatic Class: IEC 60068 55/155/56

Compliance Certifications (see [product page](#) for current document)

Plotted and Other Data

Notes:

1.0/2.3 Plug Low PIM Connector Solder Attachment for TFT-5G-402 from Fairview Microwave is in-stock and available to ship same-day. All of our RF/microwave products are available off-the-shelf from our ISO 9001:2008 certified facilities in Lewisville, Texas. Fairview Microwave is RF on-demand.

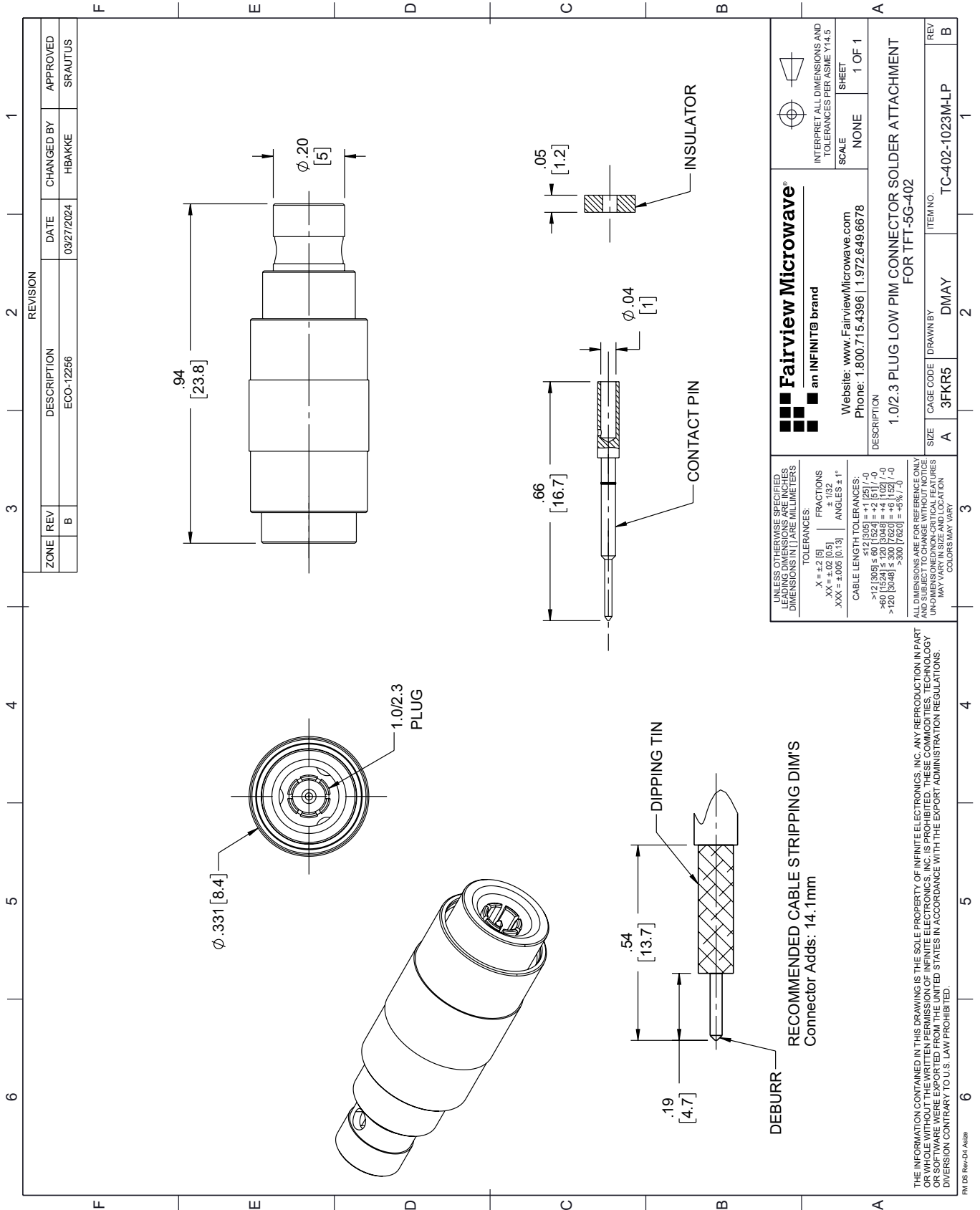
For additional information on this product, please click the following link: [1.0/2.3 Plug Low PIM Connector Solder Attachment for TFT-5G-402 TC-402-1023M-LP](#)

URL: <https://www.fairviewmicrowave.com/1.0-2.3-plug-tft-402-tft-402-lf-connector-tc-402-1023m-lp-p.aspx>

The information contained within this document is accurate to the best of our knowledge and representative of the part described herein. It may be necessary to make modifications to the part and/or the documentation of the part in order to implement improvements. Fairview Microwave reserves the right to make such changes as required. Unless otherwise stated, all specifications are nominal. Fairview Microwave does not make any representation or warranty regarding the suitability of the part described herein for any particular purpose, and Fairview Microwave does not assume liability arising out of the use of any part or document.

TC-402-1023M-LP CAD Drawing

1.0/2.3 Plug Low PIM Connector Solder Attachment for TFT-5G-402



ZONE	REV	DESCRIPTION	DATE	CHANGED BY	APPROVED
B		ECO-12256	03/27/2024	HBAKKE	SRAUTUS

 Fairview Microwave an INFINIT® brand		Website: www.FairviewMicrowave.com Phone: 1.800.715.4396 1.972.649.6678	INTERPRET ALL DIMENSIONS AND TOLERANCES PER ASME Y14.5 SCALE: NONE SHEET: 1 OF 1
UNLESS OTHERWISE SPECIFIED, LEADING DIMENSIONS ARE IN INCHES. DIMENSIONS IN [] ARE MILLIMETERS.		TOLERANCES: .X = ±.2 [5] .XX = ±.02 [0.5] .XXX = ±.005 [0.13]	FRACTIONS: ± 1/32 ANGLES ± 1°
ALL DIMENSIONS ARE FOR REFERENCE ONLY. UNLESS OTHERWISE SPECIFIED, DIMENSIONS ARE IN INCHES. DIMENSIONS IN [] ARE MILLIMETERS.		CABLE LENGTH TOLERANCES: >12 [305] ≤ 60 [1524] = ±.1 [25] / -0 >60 [1524] ≤ 120 [3048] = ±.4 [102] / -0 >120 [3048] ≤ 300 [7620] = ±.6 [15] / -0	UNLESS OTHERWISE SPECIFIED, LEADING DIMENSIONS ARE IN INCHES. DIMENSIONS IN [] ARE MILLIMETERS.
ALL DIMENSIONS ARE FOR REFERENCE ONLY. UNLESS OTHERWISE SPECIFIED, DIMENSIONS ARE IN INCHES. DIMENSIONS IN [] ARE MILLIMETERS.		UNLESS OTHERWISE SPECIFIED, LEADING DIMENSIONS ARE IN INCHES. DIMENSIONS IN [] ARE MILLIMETERS.	UNLESS OTHERWISE SPECIFIED, LEADING DIMENSIONS ARE IN INCHES. DIMENSIONS IN [] ARE MILLIMETERS.
DESCRIPTION	SIZE	CAGE CODE	ITEM NO.
1.0/2.3 PLUG LOW PIM CONNECTOR SOLDER ATTACHMENT FOR TFT-5G-402	A	3FKR5	DMAY
REV	REV	REV	REV
B	1	1	1

THE INFORMATION CONTAINED IN THIS DRAWING IS THE SOLE PROPERTY OF INFINITE ELECTRONICS, INC. ANY REPRODUCTION IN PART OR WHOLE WITHOUT THE WRITTEN PERMISSION OF INFINITE ELECTRONICS, INC. IS PROHIBITED. THESE COMMODITIES, TECHNOLOGY OR SOFTWARE WERE EXPORTED FROM THE UNITED STATES IN ACCORDANCE WITH THE EXPORT ADMINISTRATION REGULATIONS. DIVISION CONTRARY TO U.S. LAW PROHIBITED.

PM DS Rev-D4 Alt2