

### 7/16 DIN Female Low PIM Connector Solder Attachment for SPP-375-LLPL, SPO-375, SPF-375

#### Times Microwave Systems Connector Specification

7/16 DIN female connector with solder/solder attachment for Times' SPP-375-LLPL, SPO-375 and SPF-375, part number TC-375-716F-LP, from Times Microwave offered by Fairview Microwave is in-stock and ships same day. This 7/16 DIN female connector operates up to a maximum frequency of 6 GHz and offers good VSWR of 1.3:1. The 7/16 DIN female connector also has low passive intermodulation (PIM) of -160 dBc.

Times Microwave's 7/16 DIN female connector TC-375-716F-LP datasheet specifications and outline drawing are shown in this PDF below. Our extensive offering of RF, microwave and millimeter wave connectors allows designers to configure and customize their signal connections however they like. From providing an I/O for a board design to creating a custom cable assembly configuration, Fairview Microwave has a connector solution to meet your needs. Fairview Microwave also has the expertise to build your custom cable assemblies for you and ship them same-day.

#### Electrical Specifications

Description	Min	Typ	Max	Units
Frequency Range	DC		6	GHz
VSWR			1.3:1	
Insertion Loss			0.25	dB
Passive Intermodulation			-160	dBc
Operating Voltage (AC)			1,500	Vrms
Insulation Resistance	10,000			MOhms

Electrical Specification Notes:  
Insertion Loss is  $-0.1 * \sqrt{F(\text{GHz})}$

#### Mechanical Specifications

<b>Size</b>	
Length	1.5 in [38.1 mm]
Width/Dia.	0.7 in [17.78 mm]
Height	0.7 in [17.78 mm]
Weight	0.1505 lbs [68.27 g]
Mating Cycles	500 Cycles

#### Material Specifications

Description	Material	Plating
Contact	Phosphor Bronze	Silver 200 µin
Insulation	PTFE	
Outer Conductor	Brass	Tri-Metal 100 µin
Body	Brass	Tri-Metal 100 µin



#### Configuration:

- 7/16 DIN Female Connector
- 50 Ohms
- Straight Body Geometry
- SPP-375-LLPL, SPO-375, SPF-375 Interface Type
- Solder/Solder Attachment
- Low PIM Design

#### Features:

- Operating Frequency of 6 GHz Max.
- Good VSWR of 1.3:1
- PIM levels better than -160 dBc
- Silver Plated Phosphor Bronze Contact
- 200 µin contact plating

#### Applications:

- General Purpose Test
- Wireless Communications
- Custom Cable Assemblies
- Low PIM Applications
- Distributed Antenna Systems (DAS)

Fairview Microwave  
301 Leora Ln., Suite 100  
Lewisville, TX 75056  
Tel: 1-800-715-4396 / (972) 649-6678  
Fax: (972) 649-6689  
[www.fairviewmicrowave.com](http://www.fairviewmicrowave.com)  
[sales@fairviewmicrowave.com](mailto:sales@fairviewmicrowave.com)

---

---

## Environmental Specifications

### Temperature

Operating Range	-40 to +125 deg C
Shock	MIL-STD 202, Method 213, Condition I
Vibration	MIL-STD 202, Method 204, Condition D
Thermal Shock	MIL-STD 202, Method 107, Condition B

Environmental Specification Notes:  
IEC 60068 55/155/21

## Compliance Certifications (see [product page](#) for current document)

## Plotted and Other Data

Notes:

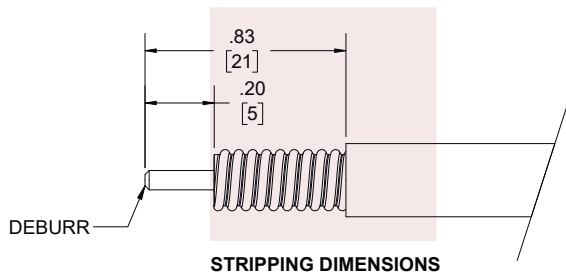
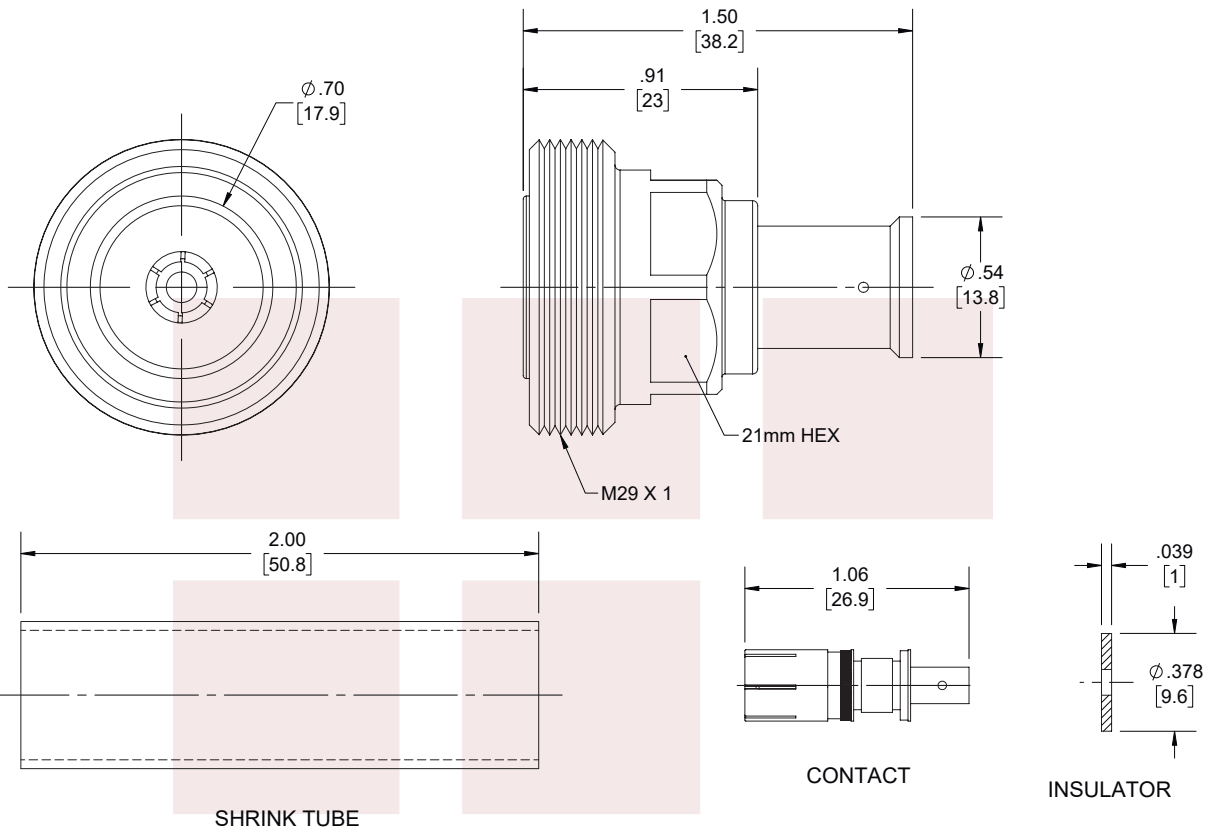
7/16 DIN Female Low PIM Connector Solder Attachment for SPP-375-LLPL, SPO-375, SPF-375 from Fairview Microwave is in-stock and available to ship same-day. All of our RF/microwave products are available off-the-shelf from our ISO 9001:2008 certified facilities in Lewisville, Texas. Fairview Microwave is RF on-demand.

For additional information on this product, please click the following link: [7/16 DIN Female Low PIM Connector Solder Attachment for SPP-375-LLPL, SPO-375, SPF-375 TC-375-716F-LP](#)

URL: <https://www.fairviewmicrowave.com/7-16-din-female-spp-375-llpl-spo-375-spf-375-connector-tc-375-716f-lp-p.aspx>

The information contained in this document is accurate to the best of our knowledge and representative of the part described herein. It may be necessary to make modifications to the part and/or the documentation of the part, in order to implement improvements. Fairview Microwave reserves the right to make such changes as required. Unless otherwise stated, all specifications are nominal. Fairview Microwave does not make any representation or warranty regarding the suitability of the part described herein for any particular purpose, and Fairview Microwave does not assume any liability arising out of the use of any part or documentation.

REVISIONS			
REV.	DESCRIPTION	DATE	APPROVED
A	INITIAL RELEASE	9/7/21	SRAUTUS



NOTES:

- CABLE ATTACHMENT:
  - OUTER: SOLDER.
  - INNER: SOLDER.

THESE COMMODITIES, TECHNOLOGY OR SOFTWARE WERE EXPORTED FROM THE UNITED STATES IN ACCORDANCE WITH THE EXPORT ADMINISTRATION REGULATIONS. DIVERSION CONTRARY TO U.S. LAW PROHIBITED.

TITLE

7/16 DIN Female Low PIM Connector Solder Attachment for SPP-375-LLPL, SPO-375, SPF-375

UNLESS OTHERWISE SPECIFIED LEADING DIMENSIONS ARE INCHES  
DIMENSIONS IN [ ] ARE MILLIMETERS

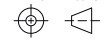
TOLERANCES:

.X = ±.2 [5.08] FRACTIONS ± 1/32  
.XX = ±.02 [.51] ANGLES ± 1°  
.XXX = ±.005 [.13]

CABLE LENGTH (L) TOLERANCES:

L ≤ 12 [305] = +1 [25] / -0  
12 [305] < L ≤ 60 [1524] = +2 [51] / -0  
60 [1524] < L ≤ 120 [3048] = +4 [102] / -0  
120 [3048] < L ≤ 300 [7620] = +6 [152] / -0  
300 [7620] < L = +5%L / -0

THIRD-ANGLE PROJECTION



THE INFORMATION AND DESIGN IN THIS DOCUMENT IS THE PROPERTY OF FAIRVIEW MICROWAVE CORPORATION. ALL RIGHTS RESERVED.

SHEET 1 OF 1

ALL DIMENSIONS SHOWN ARE FOR REFERENCE ONLY.

SCALE

N/A

SIZE A	CAGE CODE 3FKR5	DRAWN BY DMAY	ITEM NO. TC-375-716F-LP	REV A
-----------	--------------------	------------------	----------------------------	----------

T-Rev.D