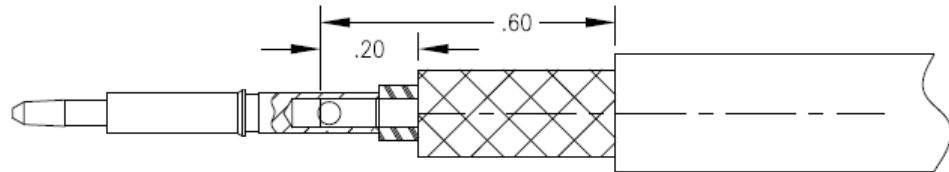
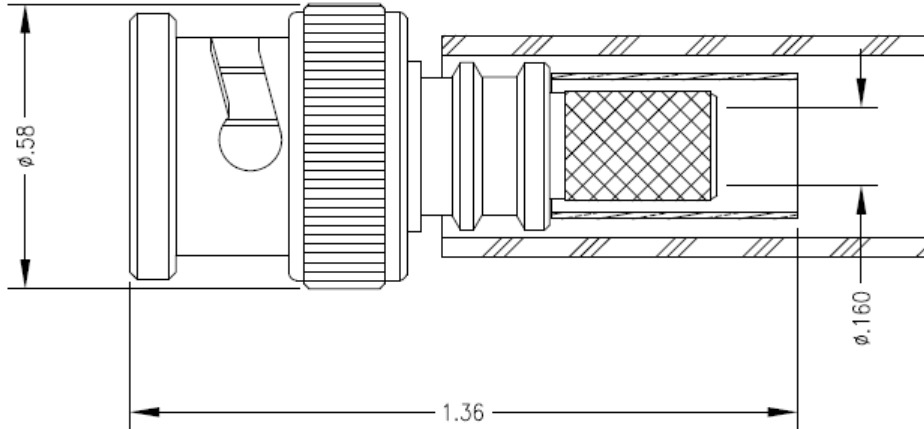


NOTICE OF PROPRIETARY RIGHTS THIS DOCUMENT CONTAINS CONFIDENTIAL TECHNICAL DATA, INCLUDING TRADE SECRETS, PROPRIETARY TO TIMES MICROWAVE SYSTEMS. DISCLOSURE OF THIS DATA IS EXPRESSLY CONDITIONED UPON YOUR ASSENT THAT ITS USE IS LIMITED TO USE WITHIN YOUR COMPANY ONLY. ANY OTHER USE IS STRICTLY PROHIBITED WITHOUT THE PRIOR WRITTEN CONSENT OF TIMES MICROWAVE SYSTEMS.

SYM	REVISION DESCRIPTION	DFTM	DATE	APPD	DATE
A	RELEASED FOR PRODUCTION	N. N. N	9/30/13	J. D. B.	10/11/13
B	CHANGED PER CDC #43314	N. N. N	11/4/15	J. D. B.	12/9/15



BODY	CONTACT
ALBALOY	GOLD/NI

- | | |
|--|--|
| 1.0 PERFORMANCE | 2.0 MATERIALS |
| 1.1 FREQUENCY RANGE: DC-4 GHz | 2.1 DIELECTRIC: PTFE, REXOLITE |
| 1.2 NOMINAL IMPEDANCE: 50 OHMS | 2.2 CONTACT: BRASS |
| 1.3 DWV: 500 VRMS @ 60 Hz (SEA LEVEL) | 2.3 SPRING WASHER: BERYLLIUM COPPER |
| 1.4 TEMPERATURE RANGE: -65°C TO +165°C | 2.4 CRIMP FERRULE: SOFT COPPER |
| | 2.5 OTHER METAL PARTS: BRASS |
| | 2.6 GASKET: SILICONE RUBBER |
| | 2.7 HEAT SHRINK: POLYOLEFIN THICK WALL |
| | 3.0 FINISHES: SEE TABLE |
| | 4.0 MECHANICAL |
| | 4.1 INTERFACE PER MIL-STD-348 |

MATL:	UNLESS OTHERWISE SPECIFIED ALL DIMENSIONS ARE IN INCHES MACHINED SURFACES FINISH 63 RMS MAX. REMOVE ALL BURRS .004 MAX. BREAK MACHINE CORNERS .005 MAX. FILLET R. TOLERANCES ON DECIMALS .XX ± .01 .XXX ± .005 ANGLES ± 1° FRACTIONS ± 1/64	DFTM. N. N. N	TIMES MICROWAVE SYSTEMS
		DATE 9/30/13	
USED ON: C		CHKD. J. D. B.	TC-240-BM-X CONNECTOR ASSEMBLY BNCM for LMR-240
		DATE 10/11/13	
SCALE: NONE	DWG. SIZE A	APPD. J. D. B.	SHEET 1 of 1
		DATE 10/11/13	
DO NOT SCALE DRAWING	CODE IDENT 68999	DATE 10/11/13	REV B