

# MMCX TERMINATION

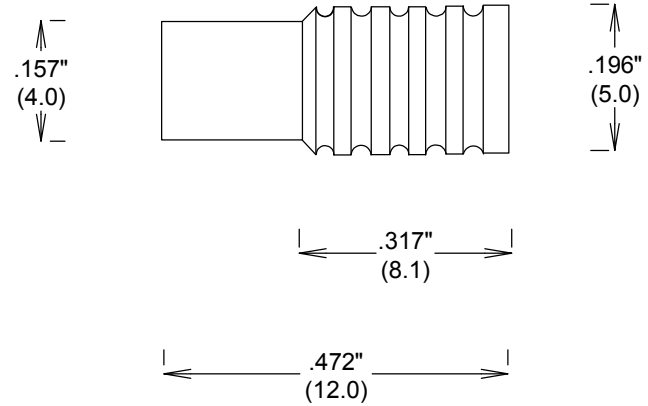
ST6027

## SPECIFICATIONS

**ELECTRICAL**  
 FREQUENCY: 0-6 GHZ  
 IMPEDANCE: 50 OHMS  
 VSWR: 1.30:1 MAX @ 6GHZ

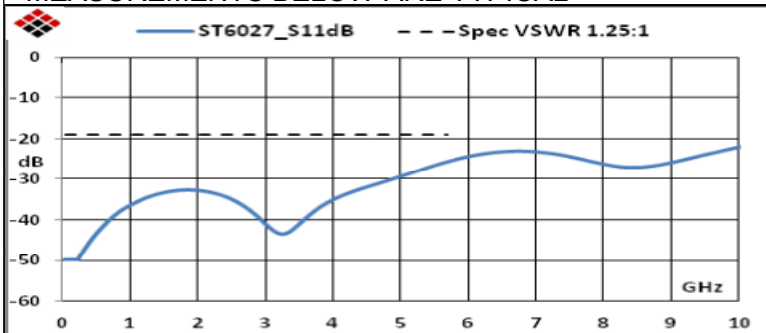
**MECHANICAL**  
 MATERIAL BODY: BRASS, Au PLATED  
 CONTACTS FEMALE: BRASS, Au PLATED  
 CONTACTS, MALE: BeCu, Au PLATED  
 INSULATOR: TEFLON  
 -55 TO +120°C

ROHS COMPLIANT



ST6027 JACK

MEASUREMENTS BELOW ARE TYPICAL



ALL DIMENSIONS IN inches(MM) Typical

**FAIRVIEW MICROWAVE INC.**

ALLEN, TX 75013 WWW.FAIRVIEWMICROWAVE.COM

TITLE			
MMCX TERMINATIONS			
SIZE	CAGE CODE	DWG NO	REV
A	3FKR5	ST6027	--
SCALE		SHEET	