

# MCX TERMINATIONS

ST6011, ST6016

## SPECIFICATIONS

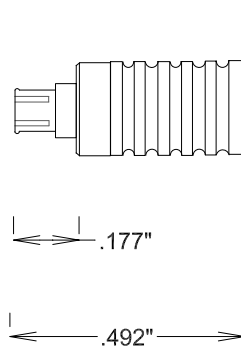
### ELECTRICAL

FREQUENCY: 0-6 GHZ  
 IMPEDANCE: 50 OHMS  
 VSWR: 1.25:1 MAX @ 6GHZ

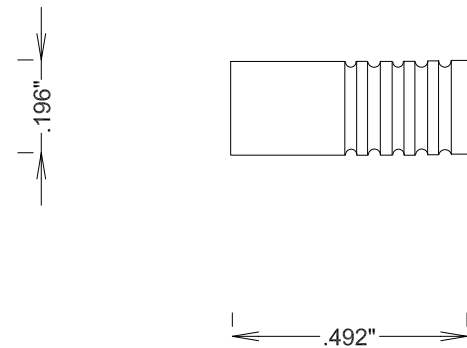
### MECHANICAL

MATERIAL BODY: BRASS, Au PLATED  
 CONTACTS FEMALE: BRASS, Au PLATED  
 CONTACTS, MALE: BeCu, Au PLATED  
 INSULATOR: TEFLON  
 -55 TO +120°C

ROHS COMPLIANT



ST6011 PLUG



ST6016 JACK

**FAIRVIEW MICROWAVE INC.**

ALLEN, TX 75013 WWW.FAIRVIEWMICROWAVE.COM

TITLE

**MCX TERMINATIONS**

SIZE	CAGE CODE	DWG NO	REV
<b>A</b>	3FKR5	ST6011, ST6016	--

SCALE	SHEET