

TERMINATION 50 GHZ 2.4-MALE w CHAIN

ST5041C

SPECIFICATIONS

ELECTRICAL:

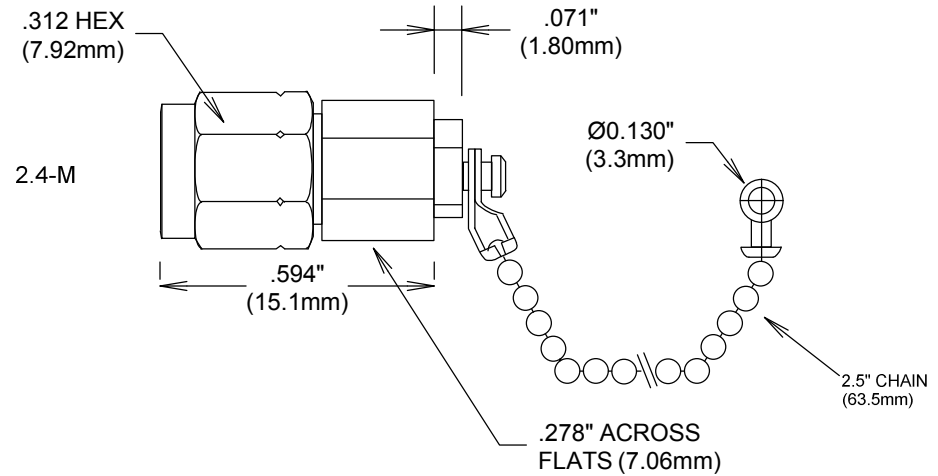
FREQUENCY: 0-50 GHZ
 VSWR @ 50GHZ: 1.45:1 MAX
 POWER (AVG) 2 WATTS
 POWER (PEAK) 1KW/50 MICRO-S
 IMPEDANCE: 50 OHMS
 OP. TEMP RANGE: -55 to+125°C

MECHANICAL:

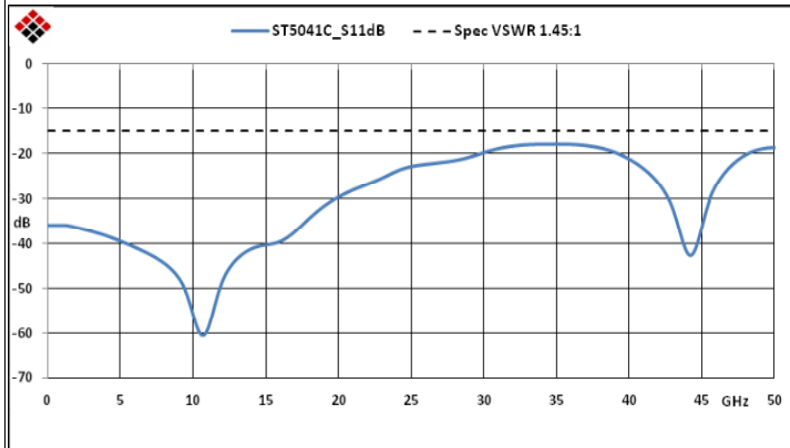
MATERIAL BODY: PASSIVATED STAINLESS STEEL
 CONTACT PLATING: Au PER MIL-G-45204
 MATERIAL CONTACT: BeCu
 COUPLING NUT TORQUE: 8-10 IN-LBS

INTERFACE: MIL-STD-348A

ROHS COMPLIANT



MEASUREMENTS BELOW ARE TYPICAL



ALL DIMENSIONS IN inches(MM) Typical

FAIRVIEW MICROWAVE INC.			
ALLEN, TX 75013 WWW.FAIRVIEWMICROWAVE.COM			
TITLE			
TERMINATION 50 GHZ 2.4-MALE w CHAIN			
SIZE	CAGE CODE	DWG NO	REV
A	3FKR5	ST5041C	A
SCALE		SHEET	