

RF Load 0.5 Watts To 50 GHz Passivated Stainless Steel 2.4mm Male

RF termination (also called RF load or dummy load) ST5035 from Fairview Microwave operates from DC to 50 GHz and handles up to 0.5 Watt (CW). This 2.4mm termination (or load) has a male gender. ST5035 2.4mm load termination offers 1.35:1 max VSWR.

RF terminations / loads are critical passive components in many RF, microwave and millimeter wave systems where signal reflection from unused ports can reduce the signal integrity and can potentially damage the device. By terminating an unused port with a matched load (dummy load), the incident energy will be absorbed with minimal reflection. These radio frequency termination components are commonly used to terminate devices such as couplers, circulators, and switches. Loads / terminations are also widely used in measurement systems to ensure accurate results. Fairview offers a large selection of in-stock RF, microwave and millimeter wave terminations up to 65 GHz with great performance over the entire operating range and with power handling capabilities up to 800 Watts (CW).

Electrical Specifications

Description	Min	Typ	Max	Units
Frequency Range	DC		50	GHz
Impedance		50		Ohms
VSWR			1.35:1	
Input Power (CW)			0.5	Watts

Mechanical Specifications

Size

Length	0.42 in [10.67 mm]
Width	0.315 in [8 mm]
Weight	0.008 lbs [3.63 g]

Configuration

Connector	2.4mm Male
Hex Size	5/16 inch

Material Specifications

Description	Material	Plating
Connector 1 Contact		Gold
Body	Passivated Stainless Steel	
Coupling Nut	Passivated Stainless Steel	
Housing	Passivated Stainless Steel	

Environmental Specifications

Temperature

Operating Range	-55 to +125 deg C
-----------------	-------------------



Features:

- DC to 50 GHz Frequency Range
- VSWR 1.35:1 Max
- Max Power 0.5 Watt (CW)
- 2.4mm Male Coaxial Interface

Applications:

- Wireless
- SatCom
- Radar Systems
- Test and Measurement
- Commercial and Military Communication

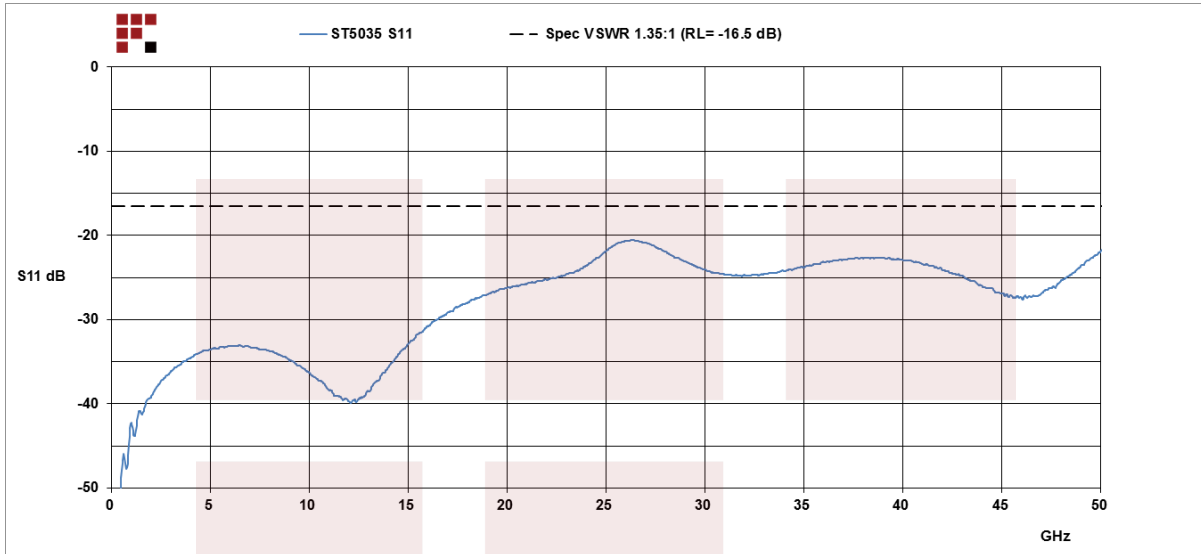
Fairview Microwave
 301 Leora Ln., Suite 100
 Lewisville, TX 75056
 Tel: 1-800-715-4396 / (972) 649-6678
 Fax: (972) 649-6689
www.fairviewmicrowave.com
sales@fairviewmicrowave.com

Compliance Certifications (see [product page](#) for current document)

Plotted and Other Data

Notes:

Typical Performance Data

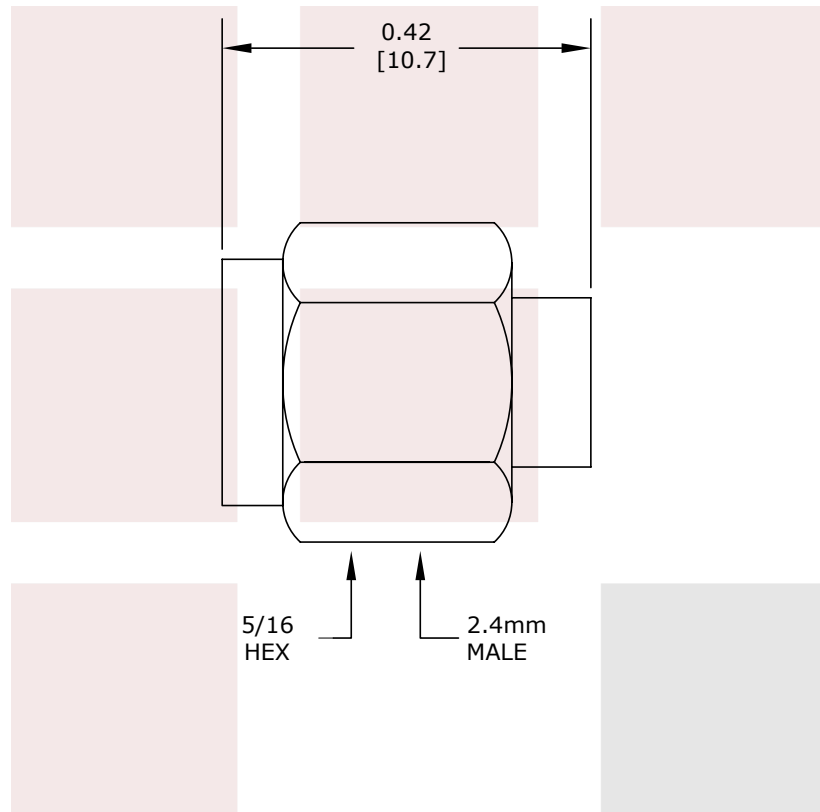


RF Load 0.5 Watts To 50 GHz Passivated Stainless Steel 2.4mm Male from Fairview Microwave is in-stock and available to ship same-day. All of our RF/microwave products are available off-the-shelf from our ISO 9001:2008 certified facilities in Lewisville, Texas. Fairview Microwave is RF on-demand.

For additional information on this product, please click the following link: [RF Load 0.5 Watts To 50 GHz Passivated Stainless Steel 2.4mm Male ST5035](#)

URL: <https://www.fairviewmicrowave.com/rf-load-0.5-watts-50-ghz-precision-2.4mm-male-st5035-p.aspx>

The information contained in this document is accurate to the best of our knowledge and representative of the part described herein. It may be necessary to make modifications to the part and/or the documentation of the part, in order to implement improvements. Fairview Microwave reserves the right to make such changes as required. Unless otherwise stated, all specifications are nominal. Fairview Microwave does not make any representation or warranty regarding the suitability of the part described herein for any particular purpose, and Fairview Microwave does not assume any liability arising out of the use of any part or documentation.



STANDARD TOLERANCES	
.X	±0.2
.XX	±0.01
.XXX	±0.005

*STANDARD TOLERANCES APPLY ONLY TO DIMENSIONS IN INCHES

FAIRVIEW MICROWAVE INC. WWW.FAIRVIEWMICROWAVE.COM		NOTES: 1. UNLESS OTHERWISE SPECIFIED ALL DIMENSIONS ARE NOMINAL. 2. ALL SPECIFICATIONS ARE SUBJECT TO CHANGE WITHOUT NOTICE AT ANY TIME. 3. DIMENSIONS ARE IN INCHES [mm].			
TITLE RF Load 0.5 Watts To 50 GHz Passivated Stainless Steel 2.4mm Male		DWG NO ST5035		CAGE CODE 3FKR5	
		CAD FILE 041316	SHEET	SCALE N/A	SIZE A 3045