

## N Male (Plug) Termination (Load) 100 Watts High Power To 4 GHz, Heatsink Body, 1.25 VSWR, 10 KWatts Peak Power

High power RF termination (also called RF load or dummy load) ST4N257 from Fairview Microwave operates from DC to 4 GHz and handles up to 100 Watts (CW). This N termination (or load) has a male gender. ST4N257 N load termination offers 1.25:1 max VSWR. This high power 100W N terminator from Fairview Microwave has a heatsink body which is designed to provide adequate heat dissipation within its full frequency of operation.

RF terminations / loads are critical passive components in many RF, microwave and millimeter wave systems where signal reflection from unused ports can reduce the signal integrity can potentially damage the device. By terminating an unused port with a matched load (dummy load), the incident energy will be absorbed with minimal reflection. These radio frequency termination components are commonly used to terminate devices such as couplers, circulators, and switches. Loads / terminations are also widely used in measurement systems to ensure accurate results. Fairview offers a large selection of in-stock RF, microwave and millimeter wave terminations up to 65 GHz with great performance over the entire operating range and with power handling capabilities up to 800 Watts (CW).

### Electrical Specifications

Description	Min	Typ	Max	Units
Frequency Range	DC		4	GHz
Impedance		50		Ohms
VSWR			1.25:1	
Input Power (CW) derated linearly to 10W at +125°C			100	Watts
Input Power (Peak) 5µs pulse, 1% duty cycle			10	kWatts

### Mechanical Specifications

Size	
Length	7.2 in [182.88 mm]
Width	3.15 in [80.01 mm]
Height	2.36 in [59.94 mm]
Weight	3.8599 lbs [1.75 kg]

### Configuration

Connector	N Male
-----------	--------

### Material Specifications

Description	Material	Plating
Connector 1 Contact	Brass	Gold
Body	Brass	Nickel
Housing	Black Anodized Aluminum Heatsink	



### Features:

- High Power RF Load
- DC to 4 GHz Frequency Range
- VSWR 1.25:1 Max
- Max Power 100 Watts (CW)
- N Male Coaxial Interface

### Applications:

- Wireless
- SatCom
- Radar Systems
- Test and Measurement
- Commercial and Military Communication

Fairview Microwave  
301 Leora Ln., Suite 100  
Lewisville, TX 75056  
Tel: 1-800-715-4396 / (972) 649-6678  
Fax: (972) 649-6689  
[www.fairviewmicrowave.com](http://www.fairviewmicrowave.com)  
[sales@fairviewmicrowave.com](mailto:sales@fairviewmicrowave.com)

## Environmental Specifications

### Temperature

Operating Range -55 to +125 deg C

**Compliance Certifications** (see [product page](#) for current document)

## Plotted and Other Data

Notes:

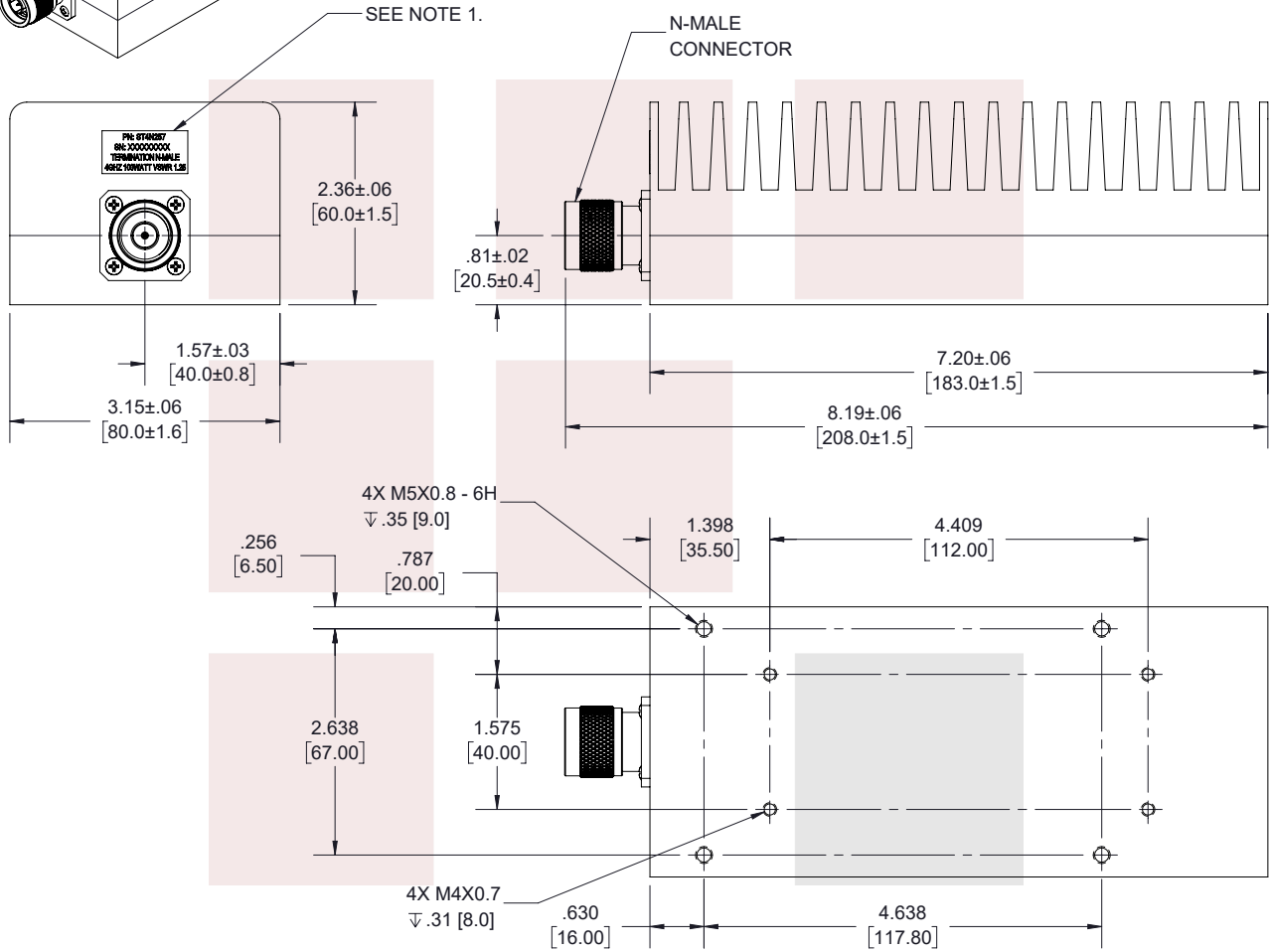
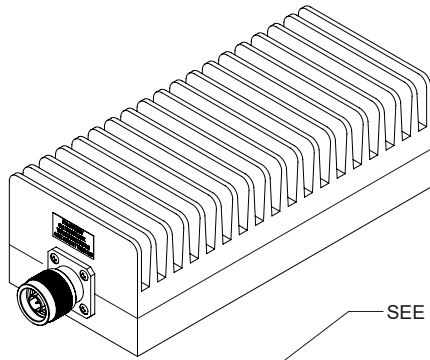
N Male (Plug) Termination (Load) 100 Watts High Power To 4 GHz, Heatsink Body, 1.25 VSWR, 10 KWatts Peak Power from Fairview Microwave is in-stock and available to ship same-day. All of our RF/microwave products are available off-the-shelf from our ISO 9001:2008 certified facilities in Lewisville, Texas. Fairview Microwave is RF on-demand.

For additional information on this product, please click the following link: [N Male \(Plug\) Termination \(Load\) 100 Watts High Power To 4 GHz, Heatsink Body, 1.25 VSWR, 10 KWatts Peak Power ST4N257](#)

URL: <https://www.fairviewmicrowave.com/rf-load-100-watts-4-ghz-n-female-st4n257-p.aspx>

The information contained in this document is accurate to the best of our knowledge and representative of the part described herein. It may be necessary to make modifications to the part and/or the documentation of the part, in order to implement improvements. Fairview Microwave reserves the right to make such changes as required. Unless otherwise stated, all specifications are nominal. Fairview Microwave does not make any representation or warranty regarding the suitability of the part described herein for any particular purpose, and Fairview Microwave does not assume any liability arising out of the use of any part or documentation.

REVISIONS			
REV.	DESCRIPTION	DATE	APPROVED
B	PCR ST4N257 20220715	08/01/2022	SPONG



NOTES:  
1. LABEL PER ILS-100-14. FOR INTERNAL REFERENCE ONLY.

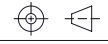
THESE COMMODITIES, TECHNOLOGY OR SOFTWARE WERE EXPORTED FROM THE UNITED STATES IN ACCORDANCE WITH THE EXPORT ADMINISTRATION REGULATIONS. DIVERSION CONTRARY TO U.S. LAW PROHIBITED.

TITLE  
N Male (Plug) Termination (Load) 100 Watts High Power To 4 GHz, Heatsink Body, 1.25 VSWR, 10 KWatts Peak Power

UNLESS OTHERWISE SPECIFIED LEADING DIMENSIONS ARE INCHES  
DIMENSIONS IN [ ] ARE MILLIMETERS

TOLERANCES: CABLE LENGTH (L) TOLERANCES:  
 L ≤ 12 [305] = +1 [25] / -0  
 12 [305] < L ≤ 60 [1524] = +2 [51] / -0  
 60 [1524] < L ≤ 120 [3048] = +4 [102] / -0  
 120 [3048] < L ≤ 300 [7620] = +6 [152] / -0  
 300 [7620] < L = +5%L / -0  
 .X = ±.2 [5.08] FRACTIONS ± 1/32  
 .XX = ±.02 [.51] ANGLES ± 1°  
 .XXX = ±.005 [.13]

THIRD-ANGLE PROJECTION



THE INFORMATION AND DESIGN IN THIS DOCUMENT IS THE PROPERTY OF FAIRVIEW MICROWAVE CORPORATION. ALL RIGHTS RESERVED.

SHEET 1 OF 1

ALL DIMENSIONS SHOWN ARE FOR REFERENCE ONLY.

SCALE N/A

SIZE A	CAGE CODE 3FKR5	DRAWN BY AKRESOWSK	ITEM NO. ST4N257	REV B
-----------	--------------------	-----------------------	---------------------	----------

T-Rev.D