

SMA F/F FLANGE ROTARY JOINT 18GHZ

SR1807

SPECIFICATIONS

ELECTRICAL

50 OHMS
 FREQUENCY: 0-18 GHZ
 VSWR 1.3:1 MAX @ DC-10 GHZ
 1.4:1 MAX @ 11-18 GHZ
 INSERTION LOSS: <0.7 dB @ DC-10 GHZ
 <1 dB @ 11-18 GHZ
 PHASE: <1° @ DC-10 GHZ
 <1° @ 11-18 GHZ
 POWER HANDLING: 200 WATTS @ 1 GHZ
 40 WATTS @ 15 GHZ
 30 WATTS @ 18 GHZ
 Peak Power: 3000 W max

OPERATING TEMPERATURE: -40°C to +70°C

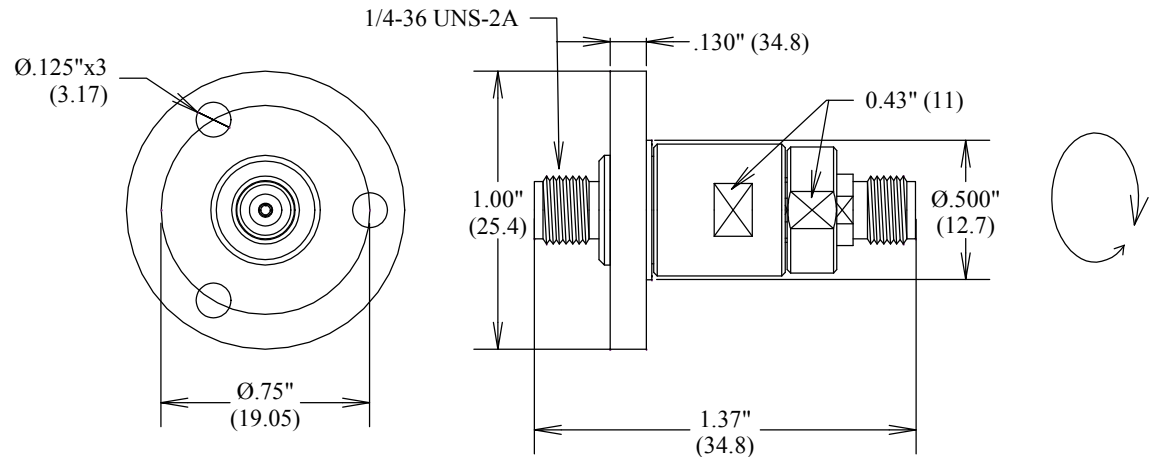
MECHANICAL

100 RPM ROTATIONAL SPEED

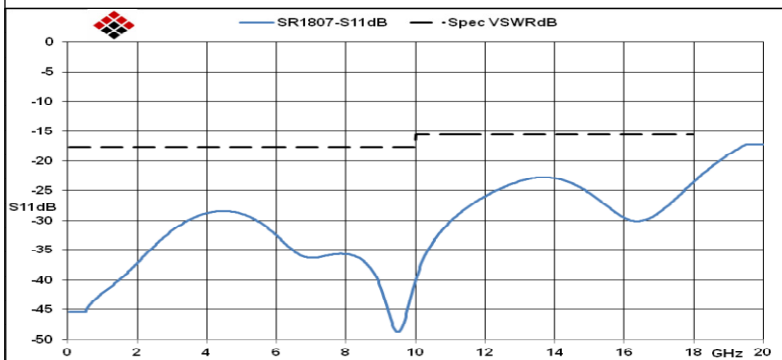
MATERIALS BODY:

PASSIVATED STAINLESS STEEL PER ASTM A582
 MATERIAL CONTACT: BeCu ATSM-B-196
 INSULATOR: TEFLON

ROHS COMPLIANT



MEASUREMENTS BELOW ARE TYPICAL



ALL DIMENSIONS IN inches(mm) Typical

FAIRVIEW MICROWAVE INC.

ALLEN, TX 75013 WWW.FAIRVIEWMICROWAVE.COM

TITLE

SMA F/F FLANGE ROTARY JOINT 18GHZ

SIZE A	CAGE CODE 3FKR5	DWG NO SR1807	REV A
SCALE		SHEET	