

SPP-250-LLPL Low Loss Corrugated Coax Cable Blue FEP Jacket Superflexible

Times Microwave Systems Coax Cable Specification

SPP-250-LLPL low loss plenum rated coax cable by Times Microwave is in-stock and ships same day. The SPP-250-LLPL coaxial cable features a low loss dielectric, solid copper center conductor and a helically corrugated, copper outer conductor. These features combine to make the Times Microwave SPP-250-LLPL an extremely flexible, low PIM coax cable, ideally suited for Small Cells, Distributed Antenna Systems (DAS) or other plenum installations. The tough jacket, made from an FEP fluoropolymer, provides moisture and UV protection.

A datasheet and specifications for Times Microwave SPP-250-LLPL coax cable, supplied by Fairview Microwave, are shown in this PDF below. Our extensive offering of RF, microwave and millimeter wave components allows designers to configure and customize their signal connections however they like. For providing low PIM jumper connections, low PIM feeder cables or connecting Small Cells, Fairview Microwave has the right cables for the job.

Electrical Specifications

Description	Min	Typ	Max	Units
Frequency Range	DC		6	GHz
Impedance		50		Ohms
Velocity of Propagation		76		%
Shielding Effectiveness	100			dB
Passive Intermodulation			-160	dBc
Inner Conductor DC Resist.			3	Ohms/1000ft
Nominal Capacitance		29 [95.14]		pF/ft [pF/m]
Nominal Inductance		0.067 [0.22]		uH/ft [uH/m]

Performance by Frequency Band

Description	F1	F2	F3	F4	F5	Units
Frequency	0.45	1.9	2.3	4.9	5.8	GHz
Attenuation, Typ	3.8 12.47	8.1 26.57	9 29.53	13.5 44.29	14.8 48.56	dB/100ft dB/100m
Power In (CW), Max	1,010	470	430	280	260	Watts

Mechanical Specifications

Diameter	0.28 in [7.11 mm]
Weight	0.07 lbs/ft [0.1 kg/m]
Min. Bend Radius (Installation)	1.25 in [31.75 mm]
Bending Moment	0.8 lbs-ft [1.08 N-m]

Construction Specifications

Description	Material and Plating	Diameter
-------------	----------------------	----------



Configuration:

- Low Loss, Plenum Corrugated Cable
- 1 Shield(s)

Features:

- UL910 Plenum Rated Cable
- PIM < -160 dBc
- Excellent Shielding >100 dB
- Lightweight and Extremely Flexible
- Low Loss
- UV Resistant Jacket

Applications:

- Small Cells
- Distributed Antenna Systems (DAS)
- Plenum Installations
- PIM Testing
- Multi-Carrier Communication Systems

Fairview Microwave
 301 Leora Ln., Suite 100
 Lewisville, TX 75056
 Tel: 1-800-715-4396 / (972) 649-6678
 Fax: (972) 649-6689
www.fairviewmicrowave.com
sales@fairviewmicrowave.com

Inner Conductor	Copper, 1 Strands	0.068 in [1.73 mm]
Conductor Type	Solid	
Dielectric	PTFE	0.19 in [4.83 mm]
Outer Conductor	Copper Corrugated	0 in [0 mm]
Jacket	FEP, Blue	0.28 in [7.11 mm]

Environmental Specifications
Temperature

Operating Range

-55 to +200 deg C

Compliance Certifications (see [product page](#) for current document)

Plotted and Other Data

Notes:

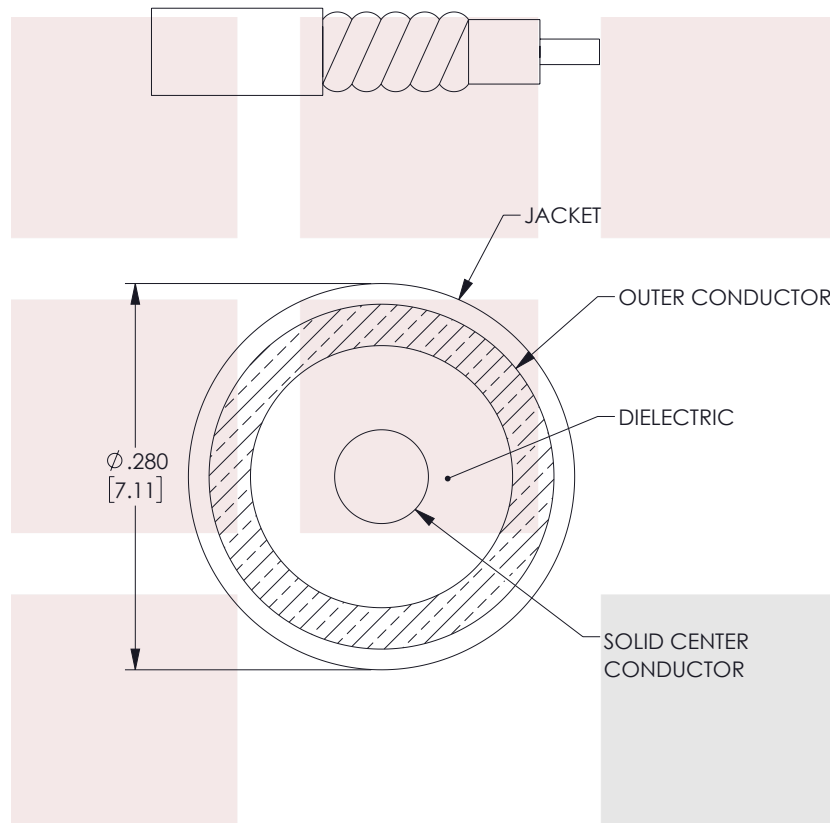
SPP-250-LLPL Low Loss Corrugated Coax Cable Blue FEP Jacket Superflexible from Fairview Microwave has same day shipment for domestic and International orders. Our RF, microwave and millimeter wave products maintain a 99% availability and are part of the broadest selection in the industry.

Click the following link to obtain additional part information: [SPP-250-LLPL Low Loss Corrugated Coax Cable Blue FEP Jacket Superflexible SPP-250-LLPL-BULK](#)

URL: <https://www.fairviewmicrowave.com/spp250llpl-low-loss-corrugated-coax-cable-fep-jacket-spp-250-llpl-bulk-p.aspx>

The information contained in this document is accurate to the best of our knowledge and representative of the part described herein. It may be necessary to make modifications to the part and/or the documentation of the part, in order to implement improvements. Fairview Microwave reserves the right to make such changes as required. Unless otherwise stated, all specifications are nominal. Fairview Microwave does not make any representation or warranty regarding the suitability of the part described herein for any particular purpose, and Fairview Microwave does not assume any liability arising out of the use of any part or documentation.

REVISIONS			
REV.	DESCRIPTION	DATE	APPROVED
A	INITIAL RELEASE	02/13/2023	AGANWANI



THESE COMMODITIES, TECHNOLOGY OR SOFTWARE WERE EXPORTED FROM THE UNITED STATES IN ACCORDANCE WITH THE EXPORT ADMINISTRATION REGULATIONS. DIVERSION CONTRARY TO U.S. LAW PROHIBITED.

TITLE

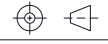
SPP-250-LLPL Low Loss Corrugated Coax Cable Blue FEP Jacket Superflexible

UNLESS OTHERWISE SPECIFIED LEADING DIMENSIONS ARE INCHES
DIMENSIONS IN [] ARE MILLIMETERS

TOLERANCES: CABLE LENGTH (L) TOLERANCES:

.X = ±.2 [5.08]	FRACTIONS ± 1/32	L ≤ 12 [305] = +1 [25] / -0
.XX = ±.02 [.51]	ANGLES ± 1°	12 [305] < L ≤ 60 [1524] = +2 [51] / -0
.XXX = ±.005 [.13]		60 [1524] < L ≤ 120 [3048] = +4 [102] / -0
		120 [3048] < L ≤ 300 [7620] = +6 [152] / -0
		300 [7620] < L = +5%L / -0

THIRD-ANGLE PROJECTION



THE INFORMATION AND DESIGN IN THIS DOCUMENT IS THE PROPERTY OF FAIRVIEW MICROWAVE CORPORATION. ALL RIGHTS RESERVED.

SHEET 1 OF 1

ALL DIMENSIONS SHOWN ARE FOR REFERENCE ONLY.

SCALE N/A

SIZE A	CAGE CODE 3FKR5	DRAWN BY AKRESOWSKI	ITEM NO. SPP-250-LLPL-BULK	REV A
-----------	--------------------	------------------------	-------------------------------	----------

T-Rev.D