

0 to 50 dB WR-28 Waveguide Direct Read Attenuator  
From 26.5 GHz to 40 GHz, Dial UG-599/U Flange



**SMW28AT5001**

**Features**

- WR-28
- 26.5 to 40 GHz
- 0 to 50 dB minimum attenuation range
- Stable base with height adjustable feet (1/2 inch)
- UG-599/U Flange
- 1.15:1 Maximum VSWR
- 2% attenuation accuracy over most of the attenuation range.
- 0.5 Watt Maximum Power
- Easy to read drum scale

**Applications**

- System Calibration
- Instrumentation
- Test Benches
- Research and Development

**Description**

The SMW28AT5001 is a continuously variable attenuator that has “direct read” capability which allows the user to dial-in the amount of attenuation needed to within 2% accuracy over most of the attenuation range. Designed for the WR-28 frequency range (26.5 to 40 GHz), it is constructed using a precision rotary resistive vane in a circular waveguide. The attenuation level is stable, highly repeatable and accurate across the full frequency and attenuation range. This attenuator is ideal for precision measurements in demanding applications like instrumentation and system calibration.

**Electrical Specifications**

Description	Minimum	Typical	Maximum	Units
Frequency Range	26.5		40	GHz
Attenuation	0		50	dB
Accuracy %		±2	±4	%
VSWR			1.15:1	
Insertion Loss			0.5	dB
Input Power, CW			0.5	Watts

**Attenuation Accuracy**

Description	F1	F2	F3	F4	F5	Units
Attenuation Setting	10	20	30	40	50	dB
Accuracy	±0.2	±0.4	±0.6	±1.6	±2	dB

Electrical Specification Notes:

Attenuation Accuracy is 0.1 dB or 2% of reading, whichever is greater, to 40 dB and 4% of reading from 40 dB to 50 dB.  
Maximum attenuation setting is 60 dB

**Mechanical Specifications**

**Size**

- Length 4.75 in [120.65 mm]
- Width 6.87 in [174.5 mm]
- Height 0 in [0 mm]
- Weight 3.103 lbs [1.41 kg]

0 to 50 dB WR-28 Waveguide Direct Read Attenuator  
From 26.5 GHz to 40 GHz, Dial UG-599/U Flange



**SMW28AT5001**

Tuner Body Material and Plating	Aluminum
Tuner Finish	Black

**Configuration**

**Connectors**

Description	Flange 1	Waveguide	Flange 2
Designation	UG-599/U	WR-28	UG-599/U
Type	Square Cover		Square Cover
Material	Brass	Brass	Brass
Plating	Gold	Gold	Gold
Plating Specification	ASTMB488	ASTMB488	ASTMB488
Finish	Gold	Gold	Gold

**Environmental Specifications**

**Temperature**

**Compliance Certifications** (see [product page](#) for current document)

**Plotted and Other Data**

Notes:

0 to 50 dB WR-28 Waveguide Direct Read Attenuator From 26.5 GHz to 40 GHz, Dial UG-599/U Flange from Fairview Microwave is in-stock and available to ship same-day. All of our RF/microwave products are available off-the-shelf from our ISO 9001:2008 certified facilities in Lewisville, Texas. Fairview Microwave is RF on-demand.

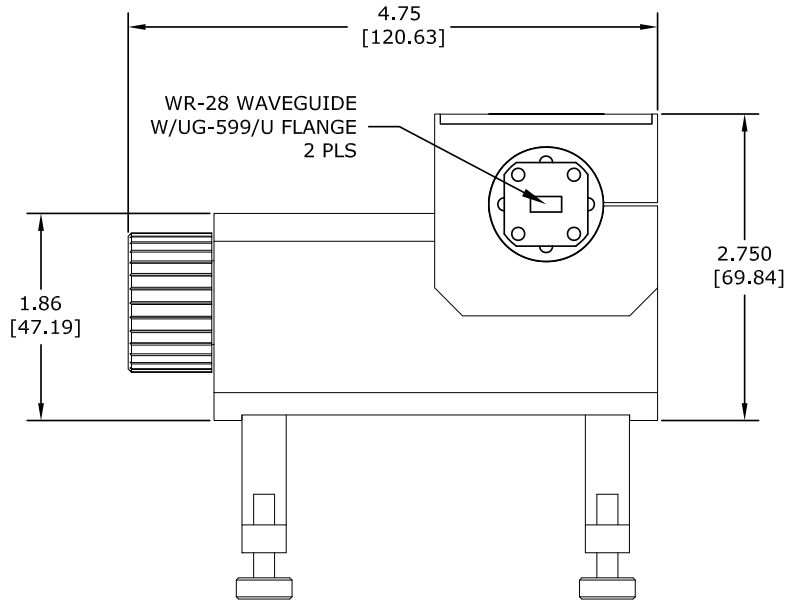
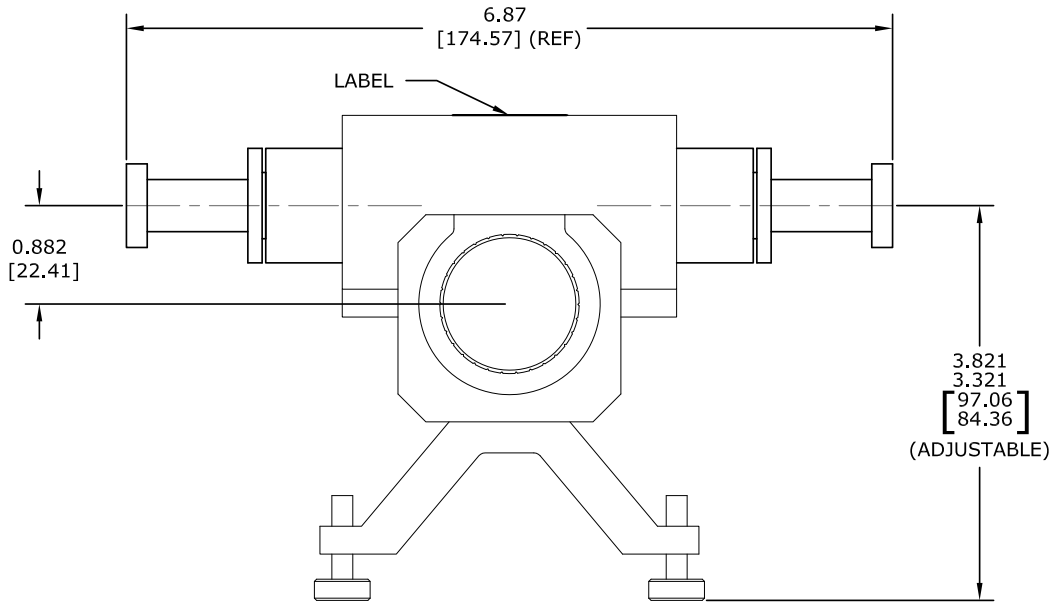
For additional information on this product, please click the following link: [0 to 50 dB WR-28 Waveguide Direct Read Attenuator From 26.5 GHz to 40 GHz, Dial UG-599/U Flange SMW28AT5001](#)

URL: <https://www.fairviewmicrowave.com/50-db-wr-28-waveguide-direct-read-attenuators-40-ghz-smw28at5001-p.aspx>

The information contained within this document is accurate to the best of our knowledge and representative of the part described herein. It may be necessary to make modifications to the part and/or the documentation of the part in order to implement improvements. Fairview Microwave reserves the right to make such changes as required. Unless otherwise stated, all specifications are nominal. Fairview Microwave does not make any representation or warranty regarding the suitability of the part described herein for any particular purpose, and Fairview Microwave does not assume liability arising out of the use of any part or document.

# SMW28AT5001 CAD Drawing

0 to 50 dB WR-28 Waveguide Direct Read Attenuator From 26.5 GHz to 40 GHz, Dial UG-599/U Flange



UNLESS OTHERWISE SPECIFIED:  
 DIMENSIONS ARE IN: inches [mm]  
 TOLERANCES ARE:  
 .XX ± .10 [± 2.54]  
 .XXX ± .005 [± .127]

\* THESE DIMENSIONS AND TOLERANCES SUPERSEDE NOTE #1 ON TITLE BLOCK.

<b>FAIRVIEW MICROWAVE INC.</b> ALLEN, TX 75013 WWW.FAIRVIEWMICROWAVE.COM		NOTES: 1. UNLESS OTHERWISE SPECIFIED ALL DIMENSIONS ARE NOMINAL. 2. ALL SPECIFICATIONS ARE SUBJECT TO CHANGE WITHOUT NOTICE AT ANY TIME. 3. DIMENSIONS ARE IN INCHES [mm].		
TITLE		DWG NO	CAGE CODE	
		SMW28AT5001	3FKR5	
CAD FILE	120415	SHEET	SCALE	SIZE
			N/A	A
				2233