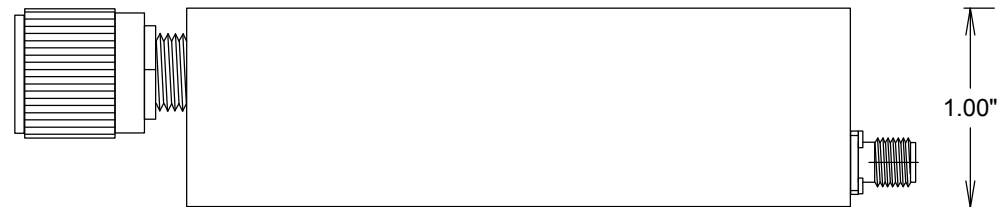
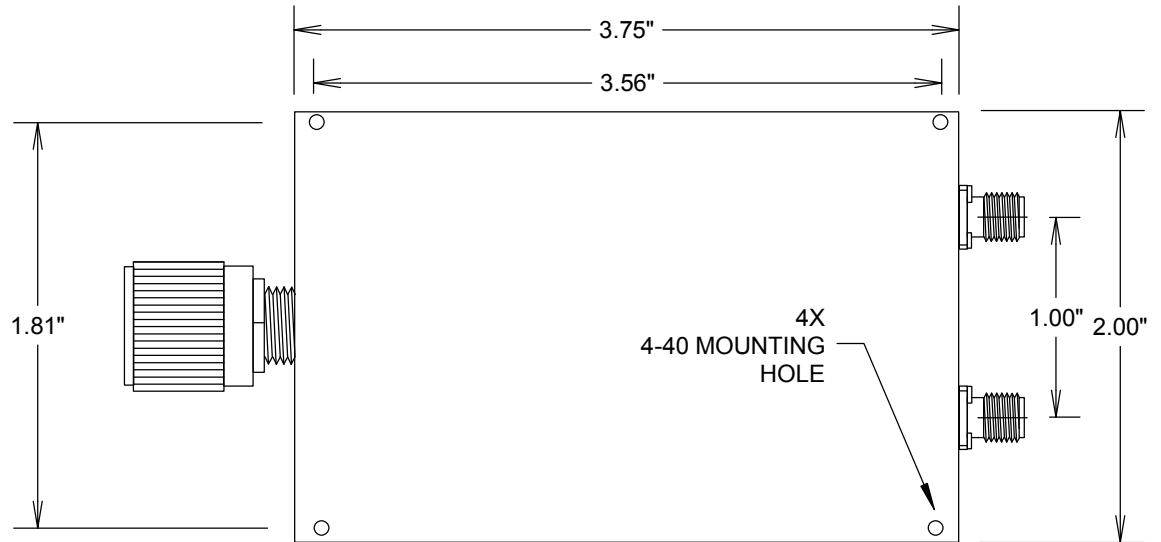
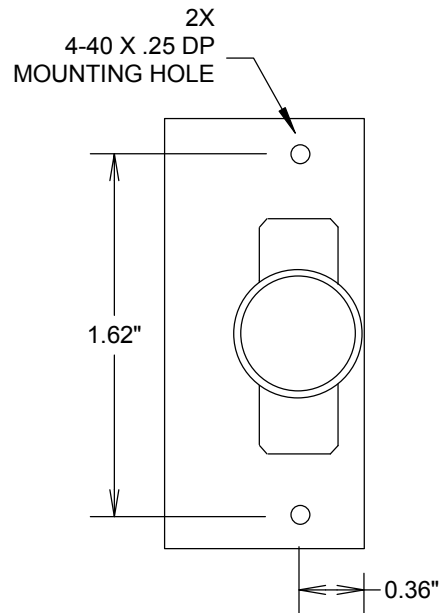


2.92 F'S 360° PHASESHIFTERS 18-40 GHZ

SMP4003



SPECIFICATIONS

ELECTRICAL:

FREQUENCY: 18-40 GHZ
 VSWR 2.0:1 MAX
 POWER CW: 100 WATTS
 POWER PEAK: 3KW
 IMPEDANCE: 50 OHMS
 INSERTION LOSS: 2.5 DB MAX
 MIN. ADJUSTABLE PHASE SHIFT: 0 TO 360°

MATERIAL CONNECTORS: STAINLESS STEEL
 MATERIAL BODY: ALUMINUM

FAIRVIEW MICROWAVE INC.

ALLEN, TX 75013 WWW.FAIRVIEWMICROWAVE.COM

TITLE

2.92 F'S 360° PHASESHIFTERS 18-40 GHZ

SIZE	CAGE CODE	DWG NO	REV
A	3FKR5	SMP4003	--
SCALE		SHEET	