

## WR-10 Instrumentation Grade Waveguide H-Bend with UG-387/U-M Flange Operating from 75 GHz to 110 GHz

SMF-10HB-001A is a WR-10 waveguide bend that is a H-Plane Bend type with a UG-387/U-M Round Cover flange. This WR-10 H-Bend waveguide with UG-387/U-M flange from Fairview is Instrumentation grade. Our WR-10 Instrumentation grade waveguide bend has a minimum frequency of 75 GHz and a maximum frequency of 110 GHz. WR-10 waveguide bend SMF-10HB-001A is part of over 40,000 RF, microwave and millimeter wave components available from Fairview. This Instrumentation grade WR-10 H-Bend waveguide with UG-387/U-M flange can ship worldwide the same day as it is purchased as with our other available RF parts.



### Features:

- WR-10 Waveguide H-Plane Bend
- UG-387/U-M Round Cover Flange
- 75 GHz to 110 GHz Frequency Ranges
- Comprehensive waveguide offerings also includes Waveguide Sections, Waveguide to Coax Adapters, Filters, Terminations, and more.

### Electrical Specifications\*

Description	Min	Typ	Max	Units
Frequency Range	75		110	GHz
VSWR		1.15:1		
Insertion Loss			0.3	dB

\* Values at 25°C, sea level

### Mechanical Specifications

Waveguide Size	WR-10
Waveguide Design	Instrumentation Grade
<b>Flange 1</b>	
Flange Type	Round Cover
Flange Designation	UG-387/U-M
Material	Brass
Plating	Gold
<b>Waveguide</b>	
Interface	WR-10
Material	Oxygen Free Hard Copper
Plating	Gold
<b>Flange 2</b>	
Flange Type	Round Cover
Flange Designation	UG-387/U-M
Material	Brass
Plating	Gold
<b>Size</b>	
Weight	0.058 lbs [26.31 g]

**Compliance Certifications** (see [product page](#) for current document)

### Plotted and Other Data

Notes:

- Values at 25 °C, sea level

Fairview Microwave  
 301 Leora Ln., Suite 100  
 Lewisville, TX 75056  
 Tel: 1-800-715-4396 / (972) 649-6678  
 Fax: (972) 649-6689  
[www.fairviewmicrowave.com](http://www.fairviewmicrowave.com)  
[sales@fairviewmicrowave.com](mailto:sales@fairviewmicrowave.com)

WR-10 Instrumentation Grade Waveguide H-Bend with UG-387/U-M Flange Operating from 75 GHz to 110 GHz from Fairview Microwave is in-stock and available to ship same-day. All of our RF/microwave products are available off-the-shelf from our ISO 9001:2008 certified facilities in Lewisville, Texas. Fairview Microwave is RF on-demand.

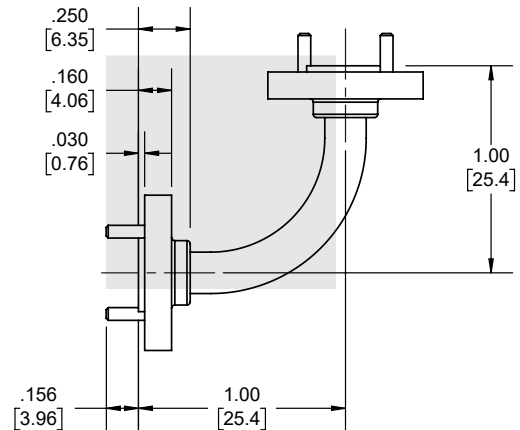
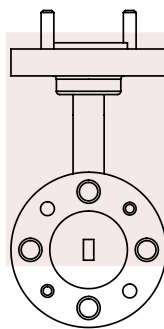
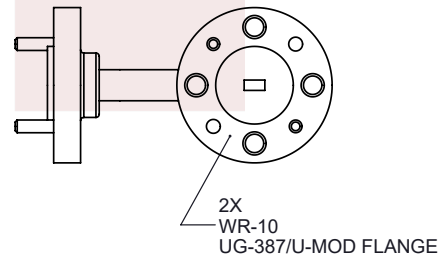
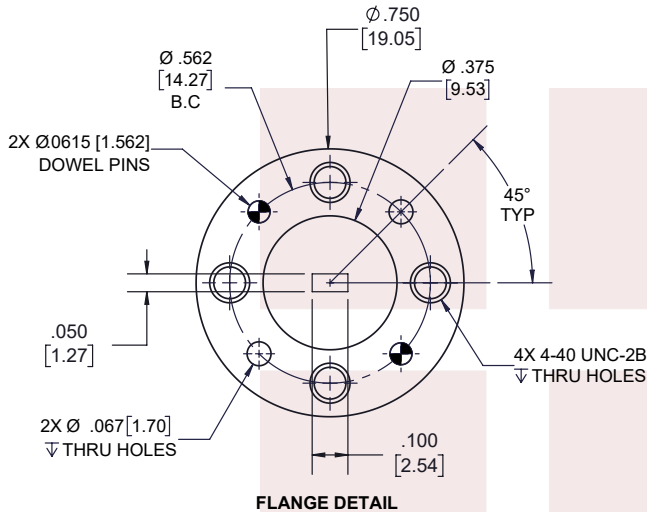
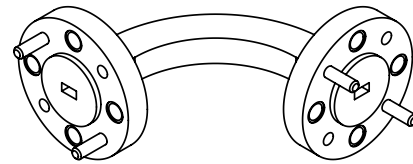
For additional information on this product, please click the following link: [WR-10 Instrumentation Grade Waveguide H-Bend with UG-387/U-M Flange Operating from 75 GHz to 110 GHz SMF-10HB-001A](#)

URL: <https://www.fairviewmicrowave.com/wr-10-waveguide-h-bend-ug-387-u-m-flange-75-110-ghz-smf-10hb-001a-p.aspx>

The information contained in this document is accurate to the best of our knowledge and representative of the part described herein. It may be necessary to make modifications to the part and/or the documentation of the part, in order to implement improvements. Fairview Microwave reserves the right to make such changes as required. Unless otherwise stated, all specifications are nominal. Fairview Microwave does not make any representation or warranty regarding the suitability of the part described herein for any particular purpose, and Fairview Microwave does not assume any liability arising out of the use of any part or documentation.



REVISIONS			
REV.	DESCRIPTION	DATE	APPROVED
A	INITIAL RELEASE	08/24/2022	S. PONG



THESE COMMODITIES, TECHNOLOGY OR SOFTWARE WERE EXPORTED FROM THE UNITED STATES IN ACCORDANCE WITH THE EXPORT ADMINISTRATION REGULATIONS. DIVERSION CONTRARY TO U.S. LAW PROHIBITED.

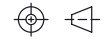
TITLE  
WR-10 Instrumentation Grade Waveguide H-Bend with UG-387/U-M Flange Operating from 75 GHz to 110 GHz

UNLESS OTHERWISE SPECIFIED LEADING DIMENSIONS ARE INCHES  
DIMENSIONS IN [ ] ARE MILLIMETERS

TOLERANCES: CABLE LENGTH (L) TOLERANCES:

.X = ±.2 [5.08] FRACTIONS L ≤ 12 [305] = +1 [25] / -0  
 .XX = ±.02 [.51] ± 1/32 12 [305] < L ≤ 60 [1524] = +2 [51] / -0  
 .XXX = ±.005 [.13] ANGLES ± 1° 60 [1524] < L ≤ 120 [3048] = +4 [102] / -0  
 120 [3048] < L ≤ 300 [7620] = +6 [152] / -0  
 300 [7620] < L = +5%L / -0

THIRD-ANGLE PROJECTION



THE INFORMATION AND DESIGN IN THIS DOCUMENT IS THE PROPERTY OF FAIRVIEW MICROWAVE CORPORATION. ALL RIGHTS RESERVED.

SHEET 1 OF 1

ALL DIMENSIONS SHOWN ARE FOR REFERENCE ONLY.

SCALE N/A

SIZE A	CAGE CODE 3FKR5	DRAWN BY K.DANG	ITEM NO. SMF-10HB-001A	REV A
-----------	--------------------	--------------------	---------------------------	----------

T-Rev.D