

Precision SMA Female (Jack) to SMP Male (Plug) Smooth Bore CM 2 Hole Flange Adapter, Passivated Stainless Steel Body, 1.2 VSWR



SM8837

Configuration

- SMA Female Connector 1
- Smooth Bore CM SMP Male Connector 2
- 50 Ohms Impedance
- Precision Design
- Straight Body Geometry
- 2 Hole Flange Mount Method

Features

- VSWR of 1.2:1 max up to 26.5 GHz
- SMA interface meets MIL-STD-348
- Contact plating according to MIL-G-45204
- Gold Plated Beryllium Copper Contact

Applications

- Enables Between Series Connections
- General Purpose Test
- Rack Mounted Equipment
- Precision Test & Measurement

Description

SMA female to SMP male smooth bore CM 2 hole flange adapter part number SM8837 from Fairview Microwave is in-stock and ships same day. This Fairview SMA to SMP adapter has a female to male gender configuration in a precision design. SM8837 SMA female to SMP male adapter operates to 26.5 GHz. The Fairview Microwave RF adapter provides excellent VSWR of 1.2:1 maximum. The SMA connector mates mechanically with commercially available 3.5mm and 2.92mm (K) connectors. Our RF SMA to SMP 2 hole flange adapter allows designers to create external connections on their product enclosures, and can be used in a variety of other rack mount and panel mount applications.

RF adapters can be used to enable connections between two connector types that would otherwise not mate. Certain RF adapter configurations can also be used to protect connectors on expensive equipment where the number of connect and disconnect cycles is high. An RF, microwave, or millimeter wave adapter is connected to the equipment and the commonly changed connection is made with the adapter which can be easily replaced when it wears out after high usage; such adapters are referred to as connector savers. Fairview Microwave also offers bulkhead, panel mount, hermetically sealed, reverse polarity, and isolated ground adapter varieties to serve all of your RF, microwave and millimeter wave needs.

Electrical Specifications

Description	Minimum	Typical	Maximum	Units
Frequency Range	DC		26.5	GHz
Impedance		50		Ohms
VSWR			1.2:1	

Electrical Specification Notes:
Values at 25°C, sea level.

Mechanical Specifications

Size	
Length	0.78 in [19.81 mm]
Width	0.63 in [16.00 mm]
Height	0.63 in [16.00 mm]
Weight	0.01 lbs [4.67 g]

Description	Connector 1	Connector 2
Polarity	Standard	Standard

Precision SMA Female (Jack) to SMP Male (Plug) Smooth Bore CM 2 Hole Flange Adapter, Passivated Stainless Steel Body, 1.2 VSWR



SM8837

Description	Connector 1	Connector 2
Interface Specification	MIL-STD-348	
Mating Cycles, Min	500	

Material Specifications

Description	Connector 1		Connector 2	
	Material	Plating	Material	Plating
Type	SMA Female		Smooth Bore CM SMP Male	
Contact	Beryllium Copper	Gold MIL-G-45204	Beryllium Copper	Gold MIL-G-45204
Insulation	PTFE		PTFE	
Outer Conductor	Passivated Stainless Steel	AMS-QQ-P-35		
Body			Passivated Stainless Steel	AMS-QQ-P-35

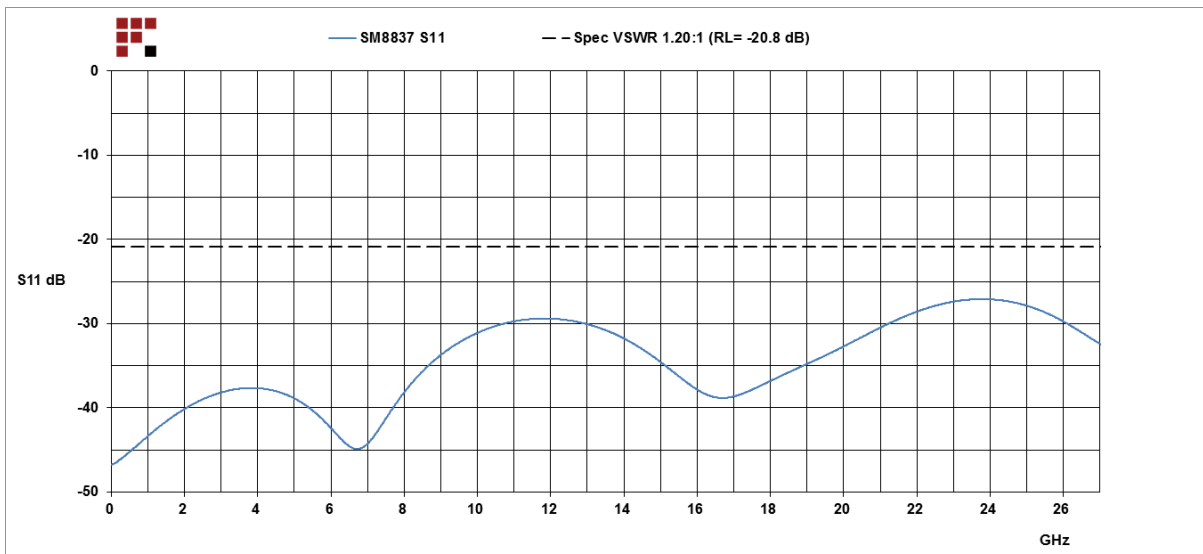
Environmental Specifications

Temperature
Operating Range -65 to +165 °C

Compliance Certifications (see [product page](#) for current document)

Plotted and Other Data

Typical Performance Data



Precision SMA Female (Jack) to SMP Male (Plug) Smooth Bore CM 2 Hole Flange Adapter, Passivated Stainless Steel Body, 1.2 VSWR



SM8837

Precision SMA Female (Jack) to SMP Male (Plug) Smooth Bore CM 2 Hole Flange Adapter, Passivated Stainless Steel Body, 1.2 VSWR from Fairview Microwave is in-stock and available to ship same-day. All of our RF/microwave products are available off-the-shelf from our ISO 9001:2008 certified facilities in Lewisville, Texas. Fairview Microwave is RF on-demand.

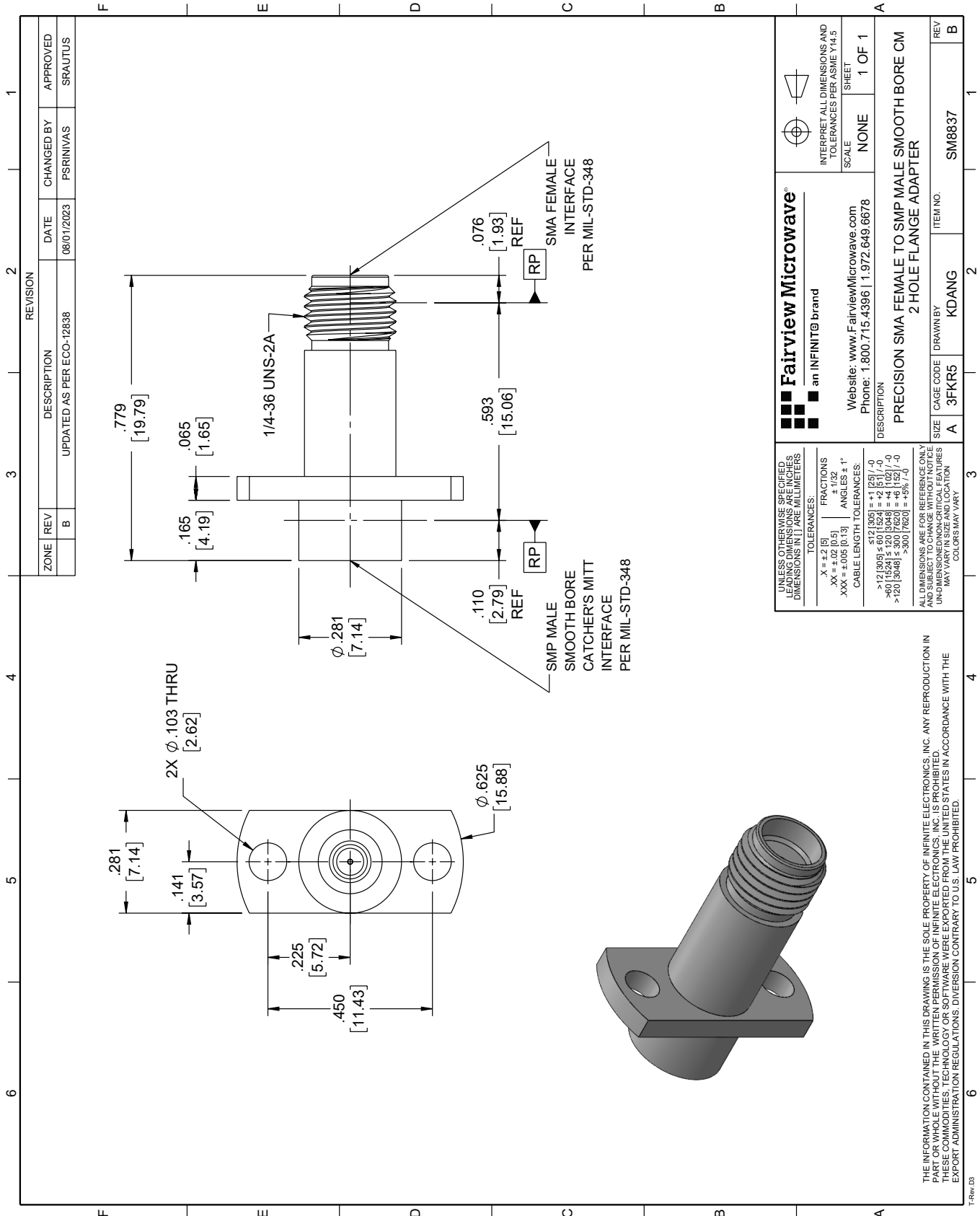
For additional information on this product, please click the following link: [Precision SMA Female \(Jack\) to SMP Male \(Plug\) Smooth Bore CM 2 Hole Flange Adapter, Passivated Stainless Steel Body, 1.2 VSWR SM8837](https://www.fairviewmicrowave.com/sma-female-smp-male-smooth-bore-2-hole-flange-adapter-sm8837-p.aspx)

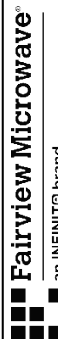

URL: <https://www.fairviewmicrowave.com/sma-female-smp-male-smooth-bore-2-hole-flange-adapter-sm8837-p.aspx>

The information contained within this document is accurate to the best of our knowledge and representative of the part described herein. It may be necessary to make modifications to the part and/or the documentation of the part in order to implement improvements. Fairview Microwave reserves the right to make such changes as required. Unless otherwise stated, all specifications are nominal. Fairview Microwave does not make any representation or warranty regarding the suitability of the part described herein for any particular purpose, and Fairview Microwave does not assume liability arising out of the use of any part or document.

SM8837 CAD Drawing

Precision SMA Female (Jack) to SMP Male (Plug) Smooth Bore CM 2 Hole Flange Adapter, Passivated Stainless Steel Body, 1.2 VSWR



 Fairview Microwave® an INFINIT® brand		 INTERPRET ALL DIMENSIONS AND TOLERANCES PER ASME Y14.5 SCALE: NONE SHEET: 1 OF 1
Website: www.FairviewMicrowave.com Phone: 1.800.715.4396 1.972.649.6678		DESCRIPTION: PRECISION SMA FEMALE TO SMP MALE SMOOTH BORE CM 2 HOLE FLANGE ADAPTER
UNLESS OTHERWISE SPECIFIED LEADING DIMENSIONS ARE IN INCHES DIMENSIONS IN [] ARE MILLIMETERS	TOLERANCES: .X = ±.2 [5] .XX = ±.02 [0.5] .XXX = ±.005 [0.13]	CAGE CODE: 3FKR5 DRAWN BY: KDANG ITEM NO.: SM8837
FRACTIONS: ± 1/32 ANGLES: ± 1° CABLE LENGTH TOLERANCES: ≤ 12 [305] ± .60 [15.24] = +.1 [2.5] / -0 > 12 [305] ± .60 [15.24] = +.1 [2.5] / -0 > 40 [1024] ± .120 [3048] = +.4 [102] / -0 > 120 [3048] ± .300 [7620] = +.9 [229] / -0	ALL DIMENSIONS ARE FOR REFERENCE ONLY UNLESS OTHERWISE SPECIFIED UNDIMENSIONED NON-CRITICAL FEATURES MAY VARY IN SIZE AND LOCATION COLORS MAY VARY	REV: B

THE INFORMATION CONTAINED IN THIS DRAWING IS THE SOLE PROPERTY OF INFINITE ELECTRONICS, INC. ANY REPRODUCTION IN PART OR WHOLE WITHOUT THE WRITTEN PERMISSION OF INFINITE ELECTRONICS, INC. IS PROHIBITED. THESE COMMODITIES, TECHNOLOGY OR SOFTWARE WERE EXPORTED FROM THE UNITED STATES IN ACCORDANCE WITH THE EXPORT ADMINISTRATION REGULATIONS. DIVERSION CONTRARY TO U.S. LAW PROHIBITED.

T-Rev_03