

SMA Male to 1.0/2.3 Plug Adapter

Electrical Specifications

Description	Min	Typ	Max	Units
Frequency Range	DC		6	GHz
VSWR			1.2:1	

Mechanical Specifications

Size	
Length	1.093 in [27.76 mm]
Weight	0.01764 lbs [8 g]

Description	Connector 1	Connector 2
Type	SMA Male	1.0/2.3 Plug
Polarity	Standard	Standard
Mating Cycles	500	

Material Specifications

Description	Connector 1	Connector 2
Type	SMA Male	1.0/2.3 Plug
Contact Material	Beryllium Copper	Beryllium Copper
Contact Plating	Gold	Gold
Contact Plating Spec.	MIL-G-45204	MIL-G-45204
Insulation Material	PTFE	PTFE
Outer Contact Material	Beryllium Copper	
Outer Contact Plating	Gold	
Body Material	Brass	Brass
Body Plating	Tri-Metal	Tri-Metal
Coupling Nut Material	Brass	
Coupling Nut Plating	Tri-Metal	

Environmental Specifications

Temperature

Operating Range -45 to +120 deg C

Compliance Certifications (visit www.FairviewMicrowave.com for current document)

RoHS Compliant
 REACH Compliant 12/17/2014

Plotted and Other Data

Notes:

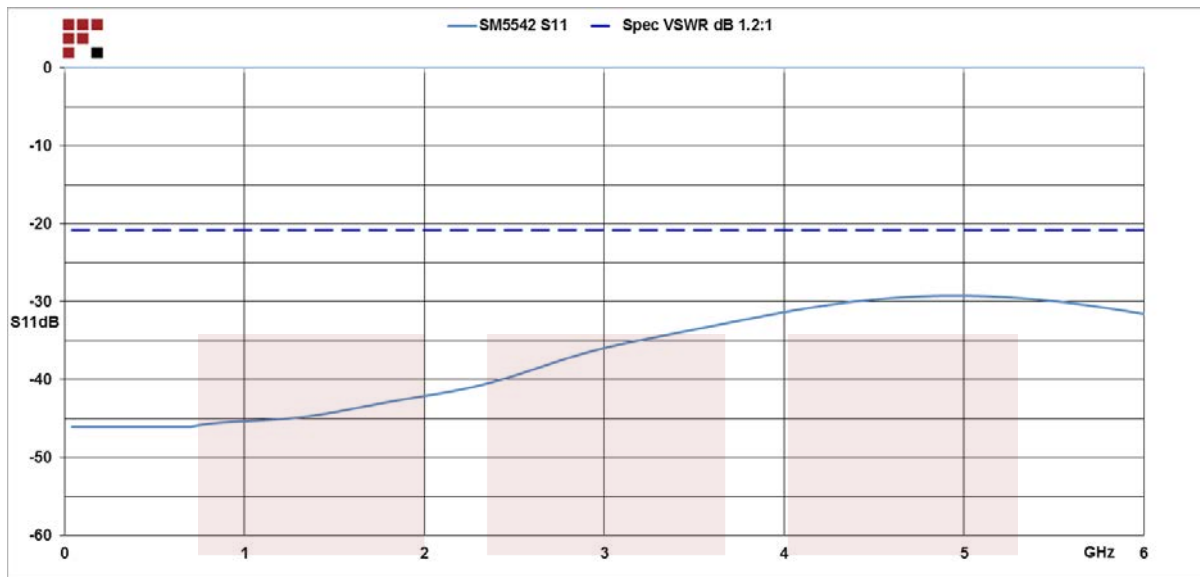


Configuration:

- SMA Male Connector 1
- 1.0/2.3 Plug Connector 2
- 50 Ohms
- Straight Body Geometry

Fairview Microwave
 1130 Junction Dr. #100
 Allen, TX 75013
 Tel: 1-800-715-4396 / (972) 649-6678
 Fax: (972) 649-6689
www.fairviewmicrowave.com
sales@fairviewmicrowave.com

Typical Performance Data

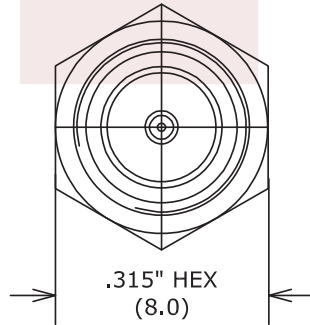
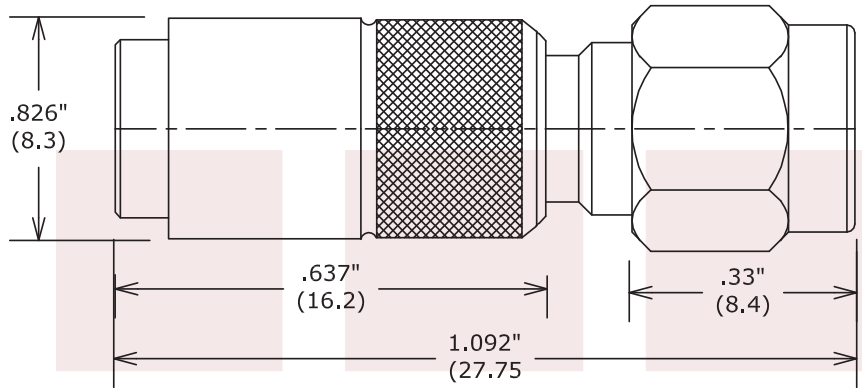


SMA Male to 1.0/2.3 Plug Adapter from Fairview Microwave is in-stock and available to ship same-day. All of our RF/microwave products are available off-the-shelf from our ISO 9001:2008 certified facilities in Allen, Texas. Fairview Microwave is RF on-demand.

For additional information on this product, please click the following link: [SMA Male to 1.0/2.3 Plug Adapter SM5542](#)

URL: <http://www.fairviewmicrowave.com/sma-male-1.0-2.3-plug-adapter-sm5542-p.aspx>

The information contained in this document is accurate to the best of our knowledge and representative of the part described herein. It may be necessary to make modifications to the part and/or the documentation of the part, in order to implement improvements. Fairview Microwave reserves the right to make such changes as required. Unless otherwise stated, all specifications are nominal. Fairview Microwave does not make any representation or warranty regarding the suitability of the part described herein for any particular purpose, and Fairview Microwave does not assume any liability arising out of the use of any part or documentation.



FAIRVIEW MICROWAVE INC. ALLEN, TX 75013 WWW.FAIRVIEWMICROWAVE.COM		NOTES: 1. UNLESS OTHERWISE SPECIFIED ALL DIMENSIONS ARE NOMINAL. 2. ALL SPECIFICATIONS ARE SUBJECT TO CHANGE WITHOUT NOTICE AT ANY TIME. 3. DIMENSIONS ARE IN INCHES [mm].			
TITLE SMA Male to 1.0/2.3 Plug Adapter		DWG NO SM5542		CAGE CODE 3FKR5	
CAD FILE	091914	SHEET	SCALE	N/A	SIZE A 2231