

Low PIM SMA Female to 7/16 DIN Male Adapter
Low VSWR

Low PIM SMA female to 7/16 DIN male adapter part number SM4698 from Fairview Microwave is in-stock and ships same day. This Fairview SMA to 7/16 DIN adapter has a female to male gender configuration in a Low PIM design. SM4698 SMA female to 7/16 DIN male adapter operates to 7.5 GHz. The SMA connector mates mechanically with commercially available 3.5mm and 2.92mm (K) connectors. The Fairview Microwave RF adapter provides excellent VSWR of 1.2:1 maximum and passive intermodulation of -170 dBc maximum.

RF adapters can be used to enable connections between two connector types that would otherwise not mate. Certain RF adapter configurations can also be used to protect connectors on expensive equipment where the number of connect and disconnect cycles is high. An RF, microwave, or millimeter wave adapter is connected to the equipment and the commonly changed connection is made with the adapter which can be easily replaced when it wears out after high usage; such adapters are referred to as connector savers. Fairview Microwave also offers bulkhead, panel mount, hermetically sealed, reverse polarity, and isolated ground adapter varieties to serve all of your RF, microwave and millimeter wave needs.

Electrical Specifications

Description	Min	Typ	Max	Units
Frequency Range	DC		7.5	GHz
VSWR			1.2:1	
Passive Intermodulation			-170	dBc
DWV (AC)			1,000	Vrms

Electrical Specification Notes:
 Values at 25°C, sea level.

Mechanical Specifications

Size	
Length	1.18 in [29.97 mm]
Width	1.25 in [31.75 mm]
Weight	0.198 lbs [89.81 g]

Description	Connector 1	Connector 2
Type	SMA Female	7/16 DIN Male
Polarity	Standard	Standard
Interface Specification	MIL-STD-348	IEC 169-4
Mating Cycles	100	500
Hex Size		32 mm
Mating Torque		221 to 265 in-lbs [24.97 to 29.95 Nm]



Configuration:

- SMA Female Connector 1
- 7/16 DIN Male Connector 2
- 50 Ohms
- Low PIM Design
- Straight Body Geometry

Features:

- VSWR of 1.2:1 max up to 7.5 GHz
- PIM levels better than -170 dBc
- SMA interface meets MIL-STD-348
- 7/16 DIN interface meets IEC 169-4
- 30 µin minimum contact plating
- Gold Plated Contact

Applications:

- Enables Between Series Connections
- General Purpose Test

Fairview Microwave
 1130 Junction Dr. #100
 Allen, TX 75013
 Tel: 1-800-715-4396 / (972) 649-6678
 Fax: (972) 649-6689
www.fairviewmicrowave.com
sales@fairviewmicrowave.com

Material Specifications

Description	Connector 1	Connector 2
Type	SMA Female	7/16 DIN Male
Contact Material	Beryllium Copper	Brass
Contact Plating	Gold	Gold
Contact Plating Spec.	30 µin minimum	30 µin minimum
Insulation Material	PTFE	PTFE
Outer Contact Material	Brass	
Outer Contact Plating	Tri-Metal	
Outer Contact Plating Spec.	100 µin minimum	
Body Material		Brass
Body Plating		Tri-Metal
Body Plating Spec.		100 µin minimum
Coupling Nut Material		Brass
Coupling Nut Plating		Tri-Metal
Coupling Nut Plating Spec.		100 µin minimum

Environmental Specifications

Temperature

Operating Range

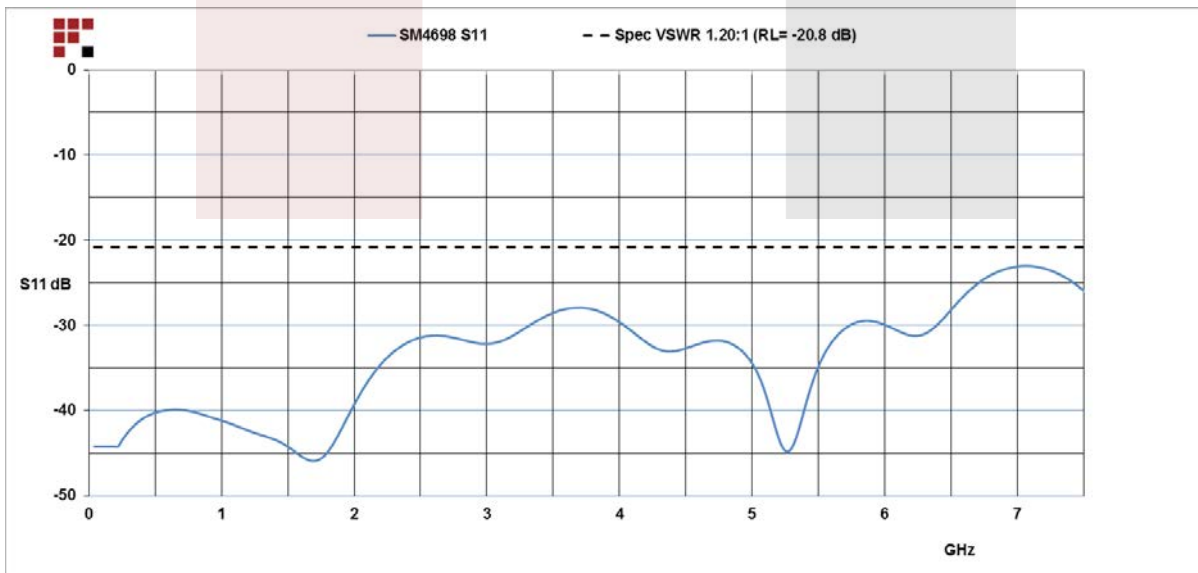
-55 to +155 deg C

Compliance Certifications (see [product page](#) for current document)

Plotted and Other Data

Notes:

Typical Performance Data



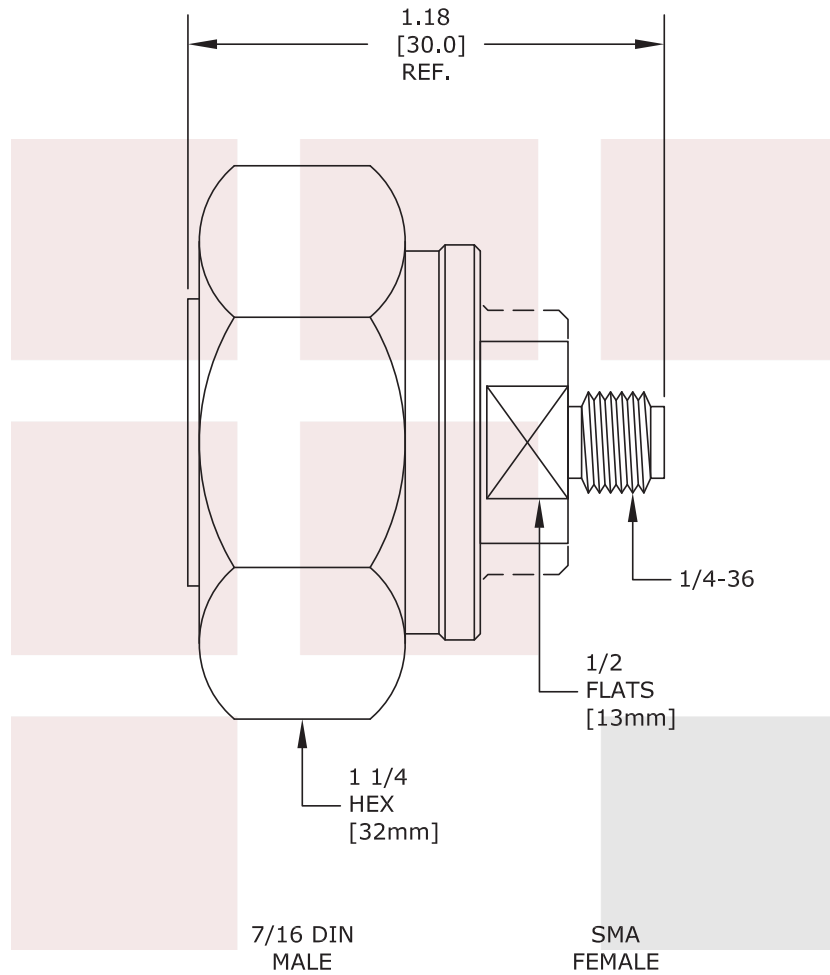
Low PIM SMA Female to 7/16 DIN Male Adapter Low VSWR from Fairview Microwave is in-stock and available to ship same-day. All of our RF/microwave products are available off-the-shelf from our ISO 9001:2008 certified facilities in Allen, Texas. Fairview Microwave is RF on-demand.

For additional information on this product, please click the following link: [Low PIM SMA Female to 7/16 DIN Male Adapter Low VSWR SM4698](#)

URL: <https://www.fairviewmicrowave.com/low-pim-sma-female-7-16-male-adapter-sm4698-p.aspx>

The information contained in this document is accurate to the best of our knowledge and representative of the part described herein. It may be necessary to make modifications to the part and/or the documentation of the part, in order to implement improvements. Fairview Microwave reserves the right to make such changes as required. Unless otherwise stated, all specifications are nominal. Fairview Microwave does not make any representation or warranty regarding the suitability of the part described herein for any particular purpose, and Fairview Microwave does not assume any liability arising out of the use of any part or documentation.





FAIRVIEW MICROWAVE INC. ALLEN, TX 75013 WWW.FAIRVIEWMICROWAVE.COM		NOTES: 1. UNLESS OTHERWISE SPECIFIED ALL DIMENSIONS ARE NOMINAL. 2. ALL SPECIFICATIONS ARE SUBJECT TO CHANGE WITHOUT NOTICE AT ANY TIME. 3. DIMENSIONS ARE IN INCHES [mm].			
TITLE Low PIM SMA Female to 7/16 DIN Male Adapter Low VSWR	DWG NO	SM4698		CAGE CODE 3FKR5	
	CAD FILE	051414	SHEET	SCALE	N/A
				SIZE	A
					2233