

SC FEMALE - 7/16 FEMALE ADAPTER

SM4644

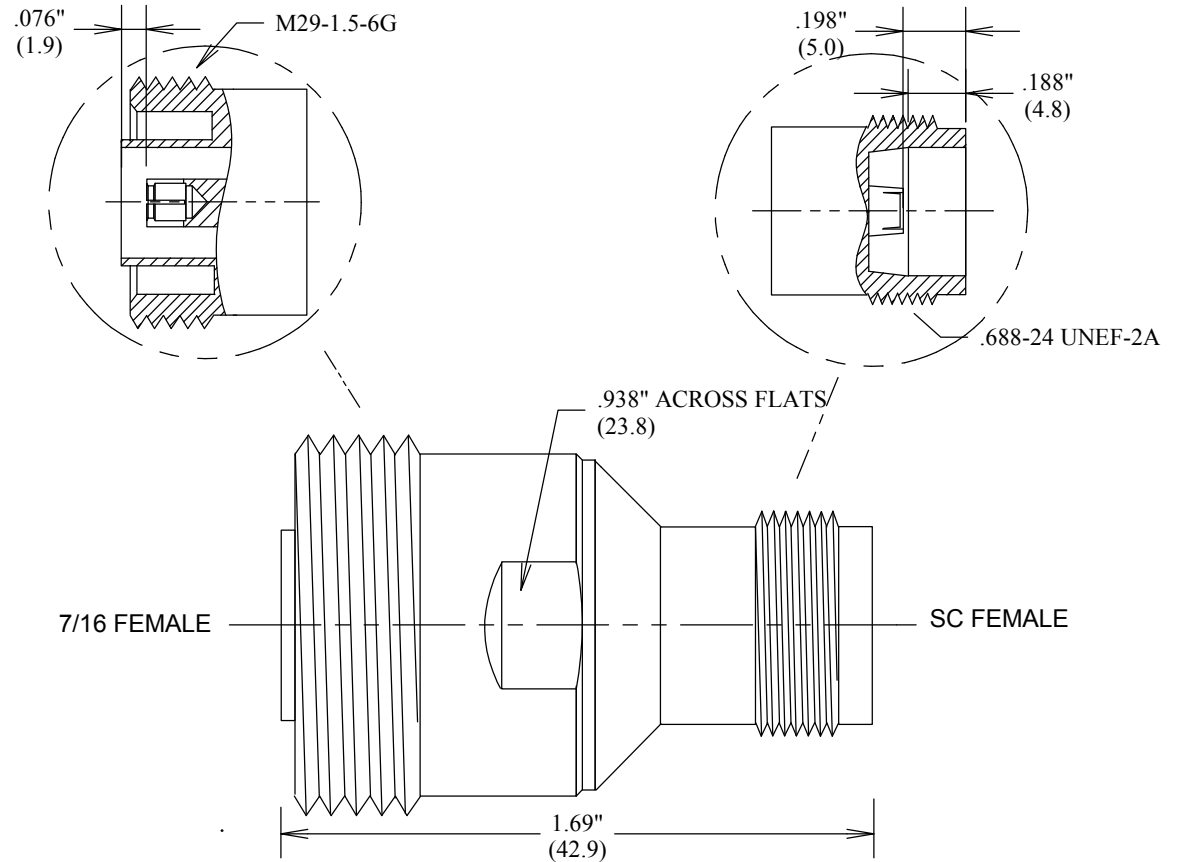
SPECIFICATIONS

ELECTRICAL

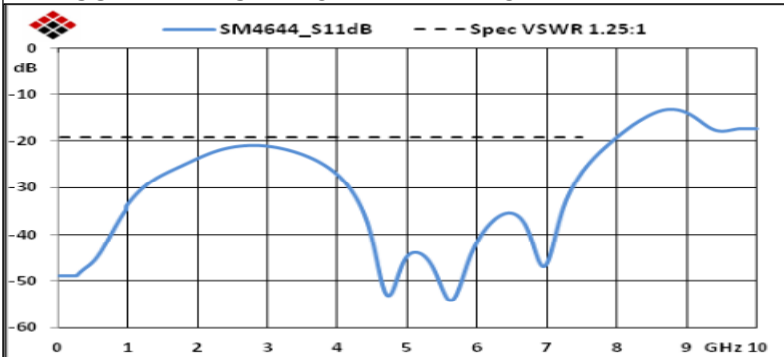
FREQUENCY: 0-7.5 GHZ
 IMPEDANCE: 50 OHMS
 VSWR: 1.25:1 MAX

MECHANICAL

MATERIALS BODY: NICKEL PLATED BRASS
 MATERIALS CONTACTS BeCu,
 CONTACT PLATING: Au PER MIL-G-45204
 INSULATOR: TEFLON
 INTERFACE: MIL-STD-348 DIN 47223
 RECOMMENDED TORQUE 7-16 221 IN-LBS
 DURABILITY: 500 CYCLES MIN
 OPERATING TEMP: -55° TO +120° C
 ROHS COMPLIANT



MEASUREMENTS BELOW ARE TYPICAL



ALL DIMENSIONS IN inches(MM) Typical

FAIRVIEW MICROWAVE INC.

ALLEN, TX 75013 WWW.FAIRVIEWMICROWAVE.COM

TITLE

SC FEMALE - 7/16 FEMALE ADAPTER

SIZE	CAGE CODE	DWG NO	REV
A	3FKR5	SM4644	B
SCALE	SHEET		