

Bulkhead 4.1/9.5 Mini DIN Female to 4.1/9.5 Mini DIN Female Adapter IP67 Mated

Bulkhead 4.1/9.5 Mini DIN female to 4.1/9.5 Mini DIN female adapter part number SM4407 from Fairview Microwave is in-stock and ships same day. This Fairview 4.1/9.5 Mini DIN to 4.1/9.5 Mini DIN adapter has a female to female gender configuration. SM4407 4.1/9.5 Mini DIN female to 4.1/9.5 Mini DIN female adapter operates to 6 GHz. The Fairview Microwave RF adapter provides excellent VSWR of 1.25:1 maximum. Our RF 4.1/9.5 Mini DIN bulkhead to 4.1/9.5 Mini DIN adapter allows designers to create external connections on their product enclosures, and can be used in a variety of other rack mount and panel mount applications.

RF adapters can be used to enable connections between two connector types that would otherwise not mate. Certain RF adapter configurations can also be used to protect connectors on expensive equipment where the number of connect and disconnect cycles is high. An RF, microwave, or millimeter wave adapter is connected to the equipment and the commonly changed connection is made with the adapter which can be easily replaced when it wears out after high usage; such adapters are referred to as connector savers. Fairview Microwave also offers bulkhead, panel mount, hermetically sealed, reverse polarity, and isolated ground adapter varieties to serve all of your RF, microwave and millimeter wave needs.

Electrical Specifications

Description	Min	Typ	Max	Units
Frequency Range	DC		6	GHz
VSWR			1.25:1	

Specifications by Frequency

Description	F1	F2	F3	F4	F5	Units
Frequency Range	DC to 3	3 to 6				GHz
VSWR, Max	1.1:1	1.25:1				

Electrical Specification Notes:
Values at 25°C, sea level.

Mechanical Specifications

Size	
Length	1.6 in [40.64 mm]
Width	0.98 in [24.89 mm]
Weight	0.1845 lbs [83.69 g]

Description	Connector 1	Connector 2
Type	4.1/9.5 Mini DIN Female	4.1/9.5 Mini DIN Female
Polarity	Standard	Standard
Mating Cycles	500	500



Configuration:

- 4.1/9.5 Mini DIN Female Connector 1
- 4.1/9.5 Mini DIN Female Connector 2
- 50 Ohm
- Straight Body Geometry
- Bulkhead Mount Method

Features:

- VSWR of 1.25:1 max up to 6 GHz
- Rated IP67 Mated
- Silver Plated Contact

Applications:

- General Purpose Test
- Rack Mounted Equipment

Fairview Microwave
1130 Junction Dr. #100
Allen, TX 75013
Tel: 1-800-715-4396 / (972) 649-6678
Fax: (972) 649-6689
www.fairviewmicrowave.com
sales@fairviewmicrowave.com

Material Specifications

Description	Connector 1	Connector 2
Type	4.1/9.5 Mini DIN Female	4.1/9.5 Mini DIN Female
Contact Material	Beryllium Copper	Beryllium Copper
Contact Plating	Silver	Silver
Insulation Material	PTFE	PTFE
Outer Contact Material	Brass	Brass
Outer Contact Plating	Tri-Metal	Tri-Metal

Environmental Specifications

Temperature

Operating Range
 Ingress Protection (IP) Rating

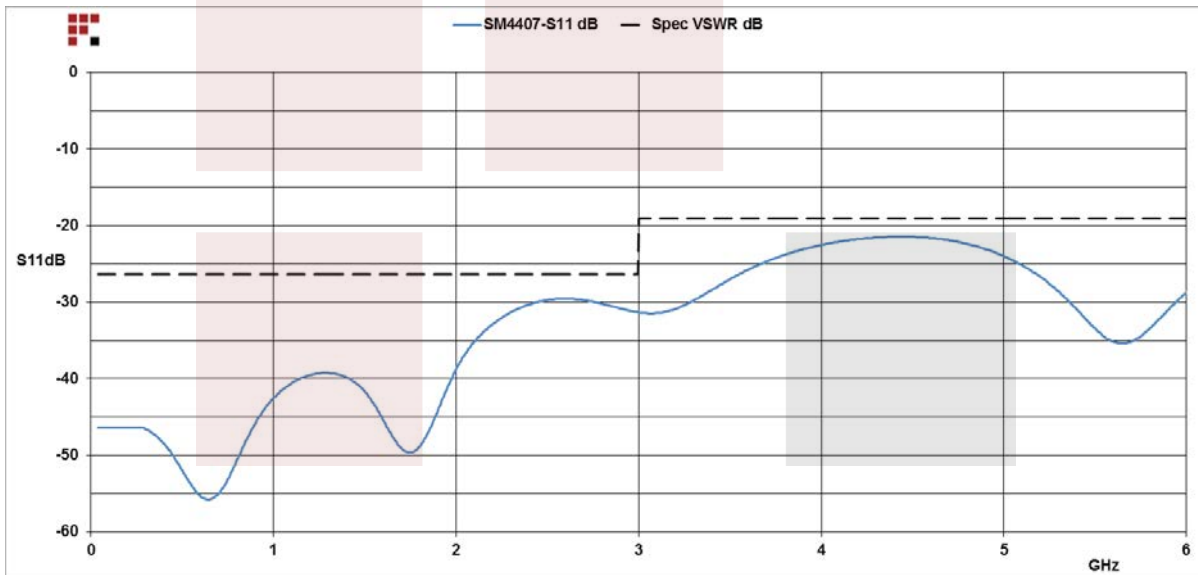
-55 to +120 deg C
 IP67 Mated

Compliance Certifications (see [product page](#) for current document)

Plotted and Other Data

Notes:

Typical Performance Data



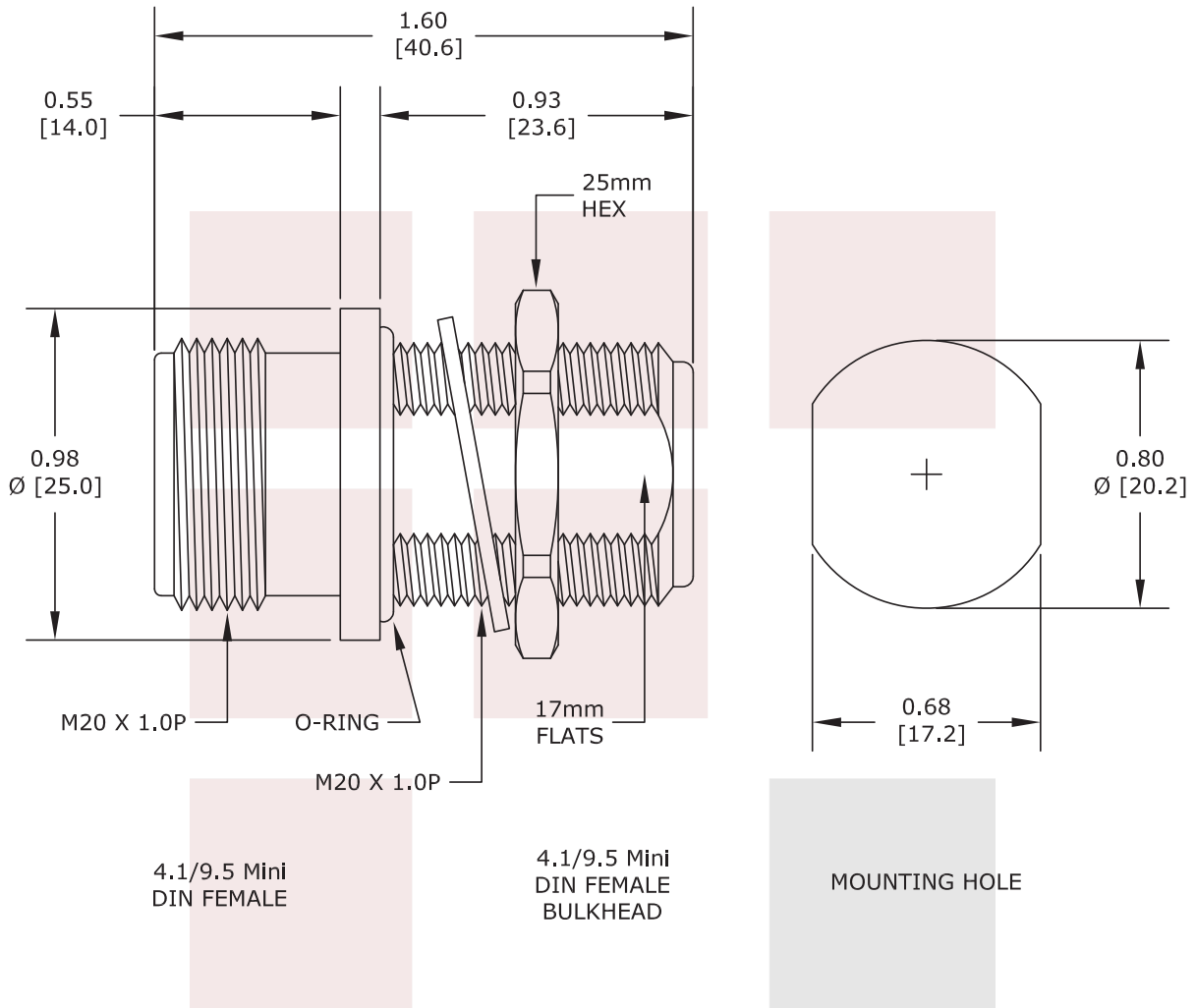
Bulkhead 4.1/9.5 Mini DIN Female to 4.1/9.5 Mini DIN Female Adapter IP67 Mated from Fairview Microwave is in-stock and available to ship same-day. All of our RF/microwave products are available off-the-shelf from our ISO 9001:2008 certified facilities in Allen, Texas. Fairview Microwave is RF on-demand.

For additional information on this product, please click the following link: [Bulkhead 4.1/9.5 Mini DIN Female to 4.1/9.5 Mini DIN Female Adapter IP67 Mated SM4407](#)

URL: <https://www.fairviewmicrowave.com/bulkhead-4.1-9.5-mini-din-female-4.1-9.5-mini-din-female-adapter-sm4407-p.aspx>

The information contained in this document is accurate to the best of our knowledge and representative of the part described herein. It may be necessary to make modifications to the part and/or the documentation of the part, in order to implement improvements. Fairview Microwave reserves the right to make such changes as required. Unless otherwise stated, all specifications are nominal. Fairview Microwave does not make any representation or warranty regarding the suitability of the part described herein for any particular purpose, and Fairview Microwave does not assume any liability arising out of the use of any part or documentation.





FAIRVIEW MICROWAVE INC. ALLEN, TX 75013 WWW.FAIRVIEWMICROWAVE.COM		NOTES: 1. UNLESS OTHERWISE SPECIFIED ALL DIMENSIONS ARE NOMINAL. 2. ALL SPECIFICATIONS ARE SUBJECT TO CHANGE WITHOUT NOTICE AT ANY TIME. 3. DIMENSIONS ARE IN INCHES [mm].			
TITLE Bulkhead 4.1/9.5 Mini DIN Female to 4.1/9.5 Mini DIN Female Adapter IP67 Mated		DWG NO SM4407		CAGE CODE 3FKR5	
CAD FILE	062014	SHEET	SCALE	N/A	SIZE A 2233