

ADAPTER LC/F-HN/M

SM4355

SPECIFICATIONS

ELECTRICAL

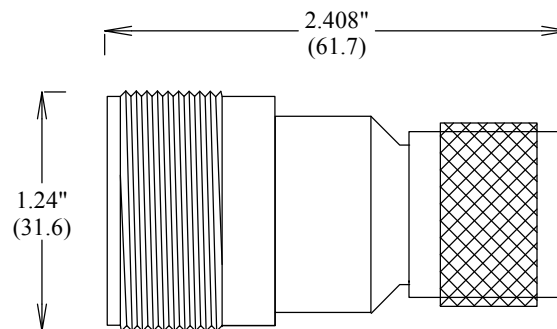
FREQUENCY: 0-4 GHZ
IMPEDANCE: 50 OHMS
VSWR: 1.2:1 MAX

MECHANICAL

MATERIALS BODY NICKEL PLATED BRASS
MATERIALS CONTACTS BeCu, Si PLATING MIL-G-45204
INSULATOR: TEFLON
IN ACCORDANCE WITH MIL-PRF-39012 & MIL-STD-348

TEMPERATURE RANGE: -55 to +110°C

ROHS COMPLIANT



FAIRVIEW MICROWAVE INC.

ALLEN, TX 75013 WWW.FAIRVIEWMICROWAVE.COM

TITLE

ADAPTER LC/F-HN/M

SIZE	CAGE CODE	DWG NO	REV
A	3FKR5	SM4355	--

ALL DIMENSIONS IN inches(MM) Typical

SCALE

SHEET