

N/M-TNC/F RIGHT ANGLE ADAPTER

SM4160

SPECIFICATIONS

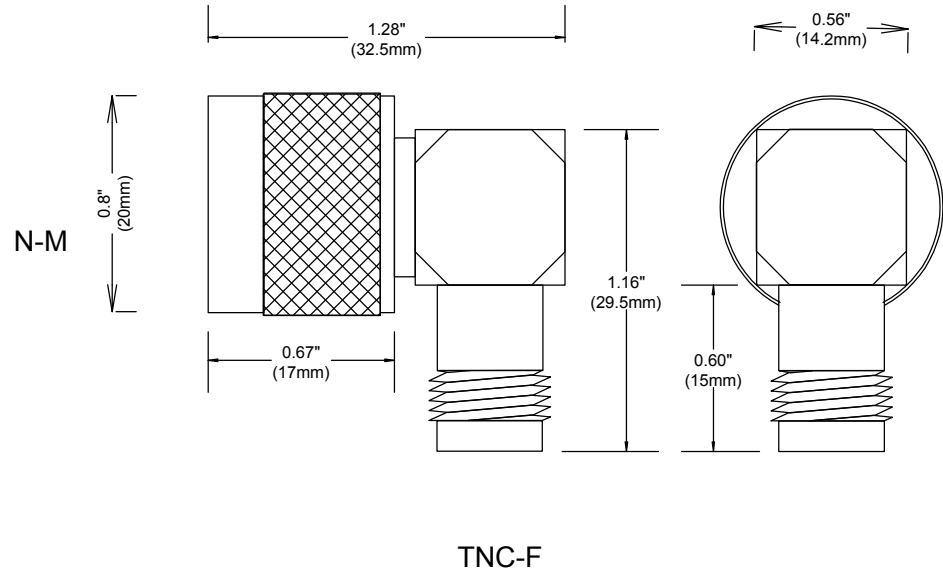
ELECTRICAL:

FREQUENCY: 0-6 GHZ
 IMPEDANCE: 50 OHMS
 VSWR: 1.25:1 MAX

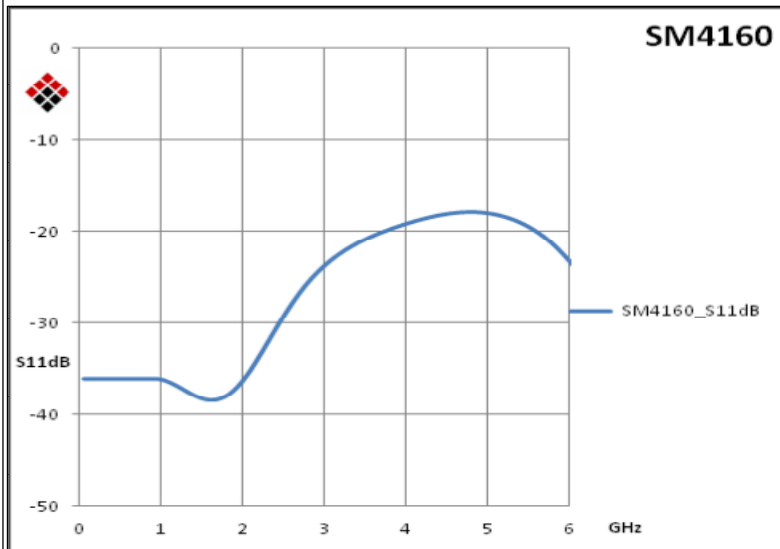
MECHANICAL:

MATERIALS BODY NICKEL PLATED BRASS
 MATERIAL CONTACT: FEMALE - BeCu, MALE - BRASS
 CONTACTS PLATING: SILVER QQS-9-365
 ROHS COMPLIANT
 INSULATOR PTFE
 INTERFACE: PER MIL-STD-348A

OPERATING TEMPERATURE: -55 to 100°C



MEASUREMENTS BELOW ARE TYPICAL



ALL DIMENSIONS IN inches(MM) Typical

FAIRVIEW MICROWAVE INC.

ALLEN, TX 75013 WWW.FAIRVIEWMICROWAVE.COM

TITLE

N/M-TNC/F RIGHT ANGLE ADAPTER

SIZE

A

CAGE CODE

3FKR5

DWG NO

SM4160

REV

A

SCALE

SHEET