

1.0mm Male to 1.85mm Male Adapter

1.0mm male to 1.85mm male adapter part number SM3976 from Fairview Microwave is in-stock and ships same day. This Fairview 1.0mm to 1.85mm adapter has a male to male gender configuration and is built of durable stainless steel. SM3976 1.0mm male to 1.85mm male adapter operates to 65 GHz. The 1.85mm connector mates mechanically with commercially available 2.4mm connectors. The Fairview Microwave RF adapter provides excellent VSWR of 1.25:1 maximum.

RF adapters can be used to enable connections between two connector types that would otherwise not mate. Certain RF adapter configurations can also be used to protect connectors on expensive equipment where the number of connect and disconnect cycles is high. An RF, microwave, or millimeter wave adapter is connected to the equipment and the commonly changed connection is made with the adapter which can be easily replaced when it wears out after high usage; such adapters are referred to as connector savers. Fairview Microwave also offers bulkhead, panel mount, hermetically sealed, reverse polarity, and isolated ground adapter varieties to serve all of your RF, microwave and millimeter wave needs.

Electrical Specifications

Description	Min	Typ	Max	Units
Frequency Range	DC		65	GHz
VSWR			1.25:1	

Electrical Specification Notes:
 Values at 25°C, sea level.

Mechanical Specifications

Size	
Length	0.695 in [17.65 mm]
Width	0.312 in [7.92 mm]
Weight	0.01 lbs [4.54 g]

Description	Connector 1	Connector 2
Type	1.0mm Male	1.85mm Male
Polarity	Standard	Standard
Hex Size	15/64 inch	5/16 inch

Material Specifications

Description	Connector 1	Connector 2
Type	1.0mm Male	1.85mm Male
Contact Material	Beryllium Copper	Beryllium Copper
Contact Plating	Gold over Nickel	Gold over Nickel
Contact Plating Spec.	50 µin minimum	50 µin minimum
Insulation Material	PEI	PEI
Body Material	Passivated Stainless Steel	Passivated Stainless Steel
Body Plating Spec.	SAE-AMS-2700	SAE-AMS-2700
Coupling Nut Material	Passivated Stainless Steel	Passivated Stainless Steel
Coupling Nut Plating Spec.	SAE-AMS-2700	SAE-AMS-2700



Configuration:

- 1.0mm Male Connector 1
- 1.85mm Male Connector 2
- 50 Ohms
- Straight Body Geometry

Features:

- VSWR of 1.25:1 max up to 65 GHz
- 50 µin minimum contact plating
- Gold over Nickel Plated Beryllium Copper Contact

Applications:

- Enables Between Series Connections
- General Purpose Test

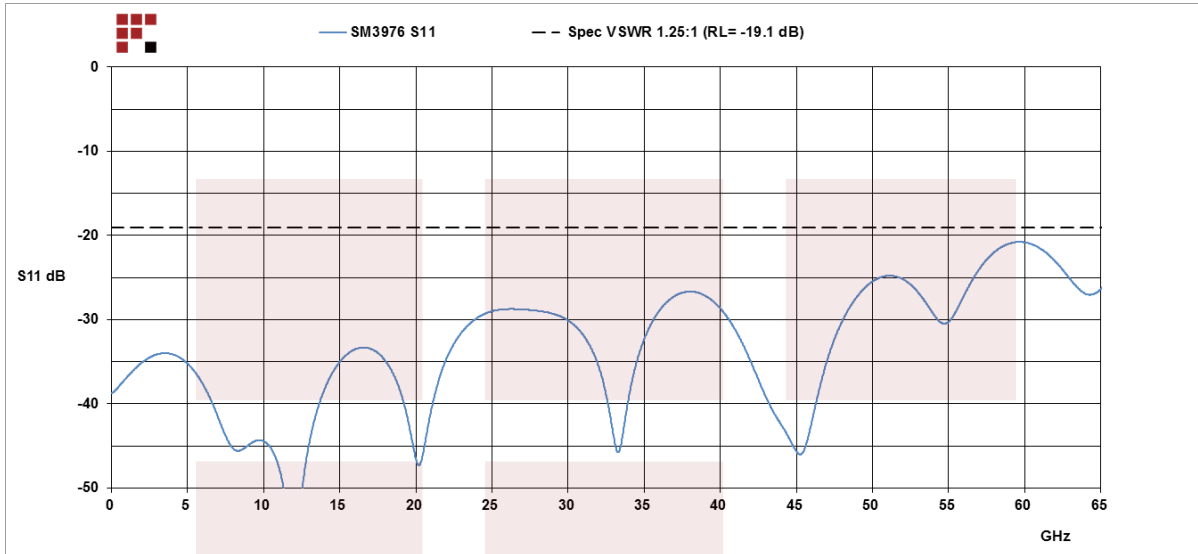
Fairview Microwave
 1130 Junction Dr. #100
 Allen, TX 75013
 Tel: 1-800-715-4396 / (972) 649-6678
 Fax: (972) 649-6689
www.fairviewmicrowave.com
sales@fairviewmicrowave.com

Compliance Certifications (see [product page](#) for current document)

Plotted and Other Data

Notes:

Typical Performance Data

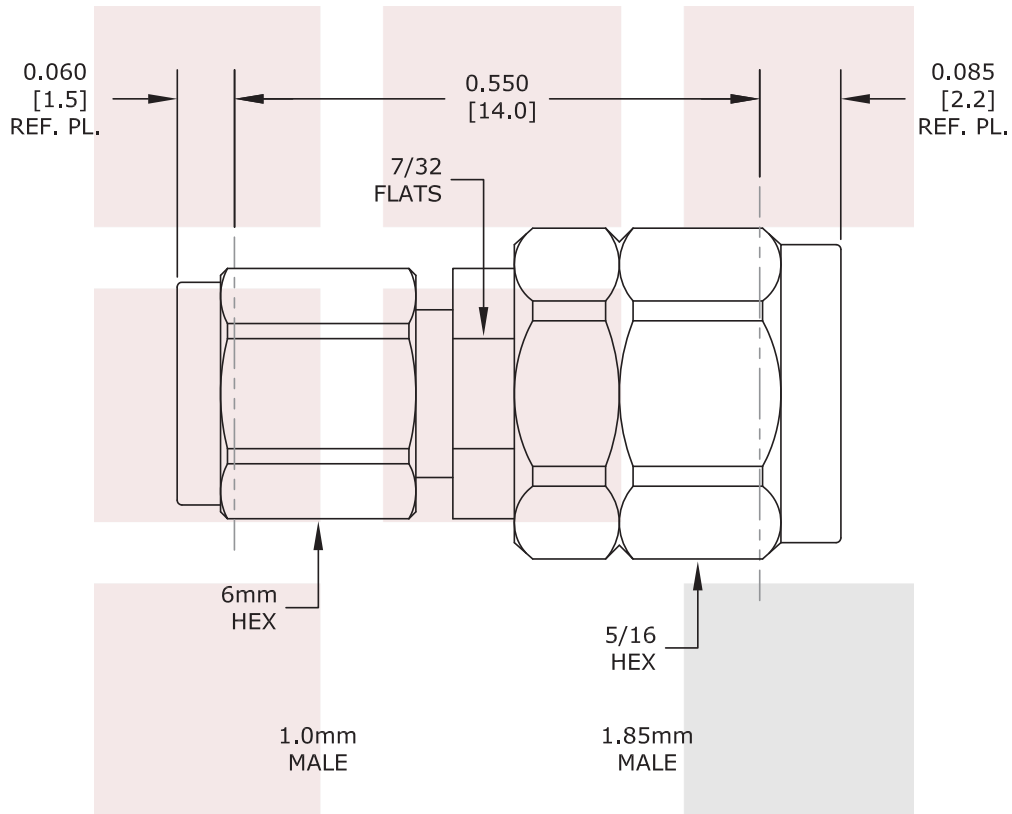


1.0mm Male to 1.85mm Male Adapter from Fairview Microwave is in-stock and available to ship same-day. All of our RF/microwave products are available off-the-shelf from our ISO 9001:2008 certified facilities in Allen, Texas. Fairview Microwave is RF on-demand.

For additional information on this product, please click the following link: [1.0mm Male to 1.85mm Male Adapter SM3976](#)

URL: <https://www.fairviewmicrowave.com/precision-1.0mm-male-1.85mm-male-adapter-sm3976-p.aspx>

The information contained in this document is accurate to the best of our knowledge and representative of the part described herein. It may be necessary to make modifications to the part and/or the documentation of the part, in order to implement improvements. Fairview Microwave reserves the right to make such changes as required. Unless otherwise stated, all specifications are nominal. Fairview Microwave does not make any representation or warranty regarding the suitability of the part described herein for any particular purpose, and Fairview Microwave does not assume any liability arising out of the use of any part or documentation.



FAIRVIEW MICROWAVE INC. ALLEN, TX 75013 WWW.FAIRVIEWMICROWAVE.COM		NOTES: 1. UNLESS OTHERWISE SPECIFIED ALL DIMENSIONS ARE NOMINAL. 2. ALL SPECIFICATIONS ARE SUBJECT TO CHANGE WITHOUT NOTICE AT ANY TIME. 3. DIMENSIONS ARE IN INCHES [mm].			
TITLE 1.0mm Male to 1.85mm Male Adapter		DWG NO SM3976		CAGE CODE 3FKR5	
CAD FILE	120915	SHEET		SCALE	N/A
		SIZE	A	150	