

HN/FEMALE-BNC/MALE ADAPTER

SM3923

SPECIFICATIONS

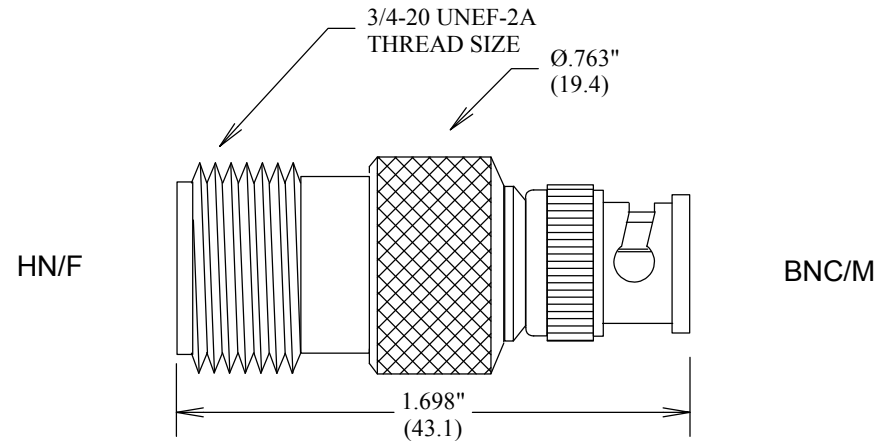
ELECTRICAL

FREQUENCY: 0-4 GHZ
IMPEDANCE: 50 OHMS
VSWR: 1.2:1 MAX

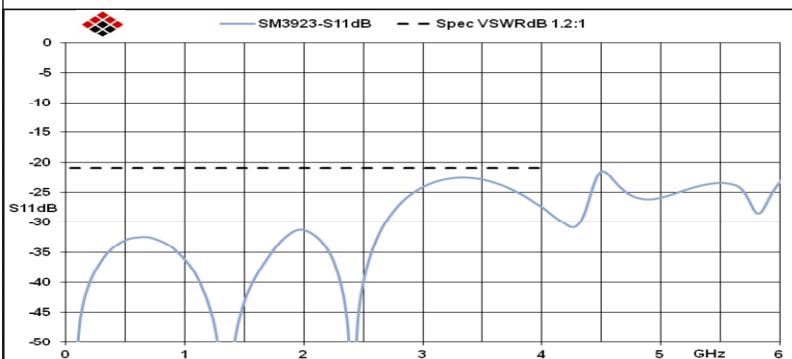
MECHANICAL

MATERIAL BODY: NICKEL PLATED BRASS
CONTACTS: BeCu PER QQ-C-530
CONTACT PLATING: Si PLATING
INSULATOR: TEFLON
INTERFACE: MIL-STD-348

ROHS COMPLIANT



MEASUREMENTS BELOW ARE TYPICAL



ALL DIMENSIONS IN inches(mm) Typical

FAIRVIEW MICROWAVE INC.

ALLEN, TX 75013 WWW.FAIRVIEWMICROWAVE.COM

TITLE

HN/FEMALE-BNC/MALE ADAPTER

SIZE	CAGE CODE	DWG NO	REV
A	3FKR5	SM3923	A
SCALE	SHEET		