

ADAPTER HN F/F BULKHEAD

SM3912

SPECIFICATIONS

ELECTRICAL

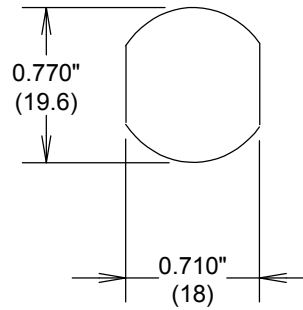
FREQUENCY: 0-4 GHZ
 IMPEDANCE: 50 OHMS
 VSWR: 1.2:1 MAX

MECHANICAL

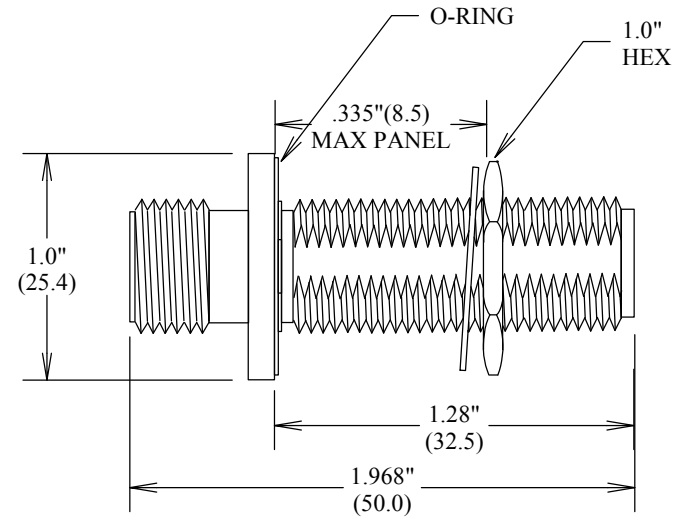
MATERIALS BODY: NICKEL PLATED BRASS
 MATERIALS CONTACTS BeCu
 CONTACT PLATING Si QQ-S-365
 INTERFACE: MIL-STD-348A
 INSULATOR: TEFLON

OP TEMP -55 to +110° C

ROHS COMPLIANT



RECOMMENDED
 PANEL CUTOUT



FAIRVIEW MICROWAVE INC.

ALLEN, TX 75013 WWW.FAIRVIEWMICROWAVE.COM

TITLE

ADAPTER HN F/F BULKHEAD

SIZE	CAGE CODE	DWG NO	REV
A	3FKR5	SM3912	A
SCALE		SHEET	

ALL DIMENSIONS IN inches(mm) Typical