

BNC/M-SMB/PLUG 4GHZ 75 OHMS

SM3645

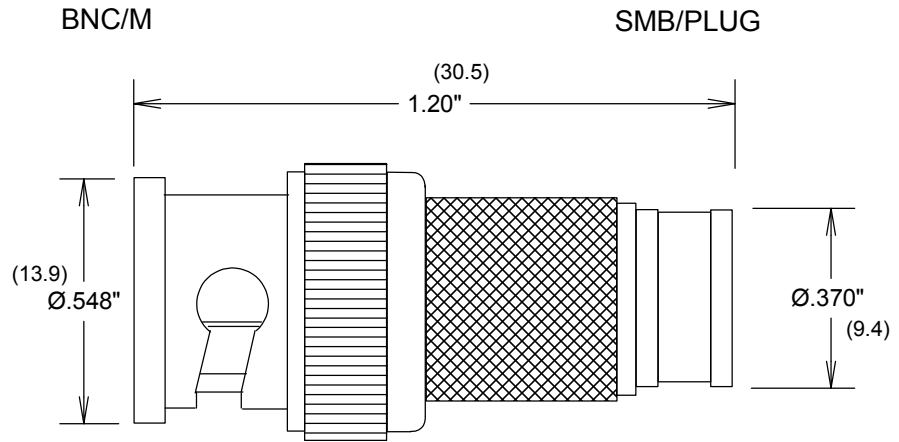
SPECIFICATIONS

ELECTRICAL

FREQUENCY: 0-4 GHZ
 IMPEDENCE: 75 OHMS
 VSWR: 1.2:1 MAX

MECHANICAL

MATERIAL BODY: NICKEL PLATED BRASS
 MATERIAL CONTACT BNC: BRASS
 MATERIAL CONTACT SMB: BeCu
 CONTACTS: Au PLATED PER MIL-G-45204
 INSULATOR: TEFLON
 INTERFACE: MIL-STD-348A
 TEMPERATURE RATING: -55° +110°C
 ROHS COMPLIANT



FAIRVIEW MICROWAVE INC.

ALLEN, TX 75013 WWW.FAIRVIEWMICROWAVE.COM

TITLE

BNC/M-SMB/PLUG 4GHZ 75 OHMS

| | | | |
|----------|-----------|---------------|----------|
| SIZE | CAGE CODE | DWG NO | REV |
| A | 3FKR5 | SM3645 | A |

ALL DIMENSIONS IN inches(MM) Typical

| | |
|-------|-------|
| SCALE | SHEET |
|-------|-------|