

# BNC F/F BULKHEAD 75 OHM ISOLATED GROUND

SM3426

## SPECIFICATIONS

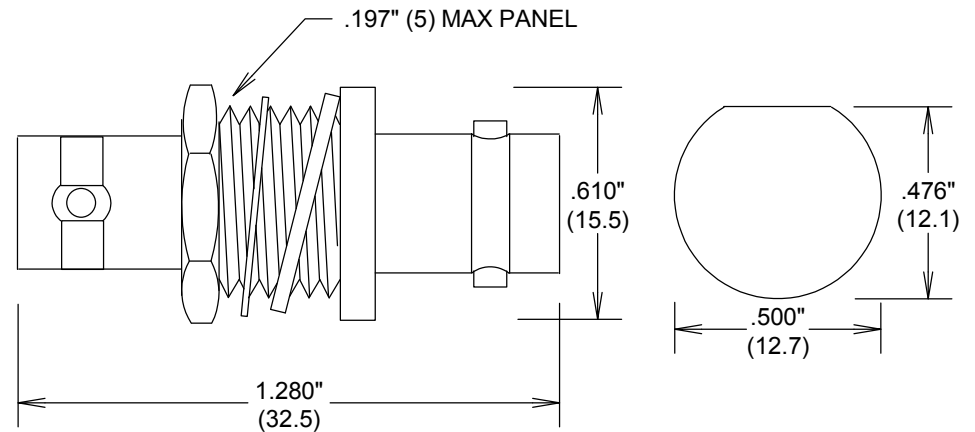
### ELECTRICAL

FREQUENCY: 0-1 GHZ  
 IMPEDANCE: 75 OHMS  
 VSWR: 1.5:1 MAX

### MECHANICAL

MATERIALS BODY: NI PLATED BRASS  
 CENTER CONTACT: BeCu  
 CONTACT PLATING: Au PER MIL-G-45204  
 INSULATOR: TEFLON  
 INTERFACE: MIL-STD-348

ROHS COMPLIANT



<b>FAIRVIEW MICROWAVE INC.</b>			
ALLEN, TX 75013 <a href="http://WWW.FAIRVIEWMICROWAVE.COM">WWW.FAIRVIEWMICROWAVE.COM</a>			
TITLE			
<b>BNC F/F BULKHEAD 75 OHM ISOLATED GROUND</b>			
SIZE	CAGE CODE	DWG NO	REV
<b>A</b>	<b>3FKR5</b>	<b>SM3426</b>	--
SCALE		SHEET	

ALL DIMENSIONS IN inches(MM) Typical