

7/16 MALE - 7/16 FEMALE LOW PIM ADAPTER

SM3393

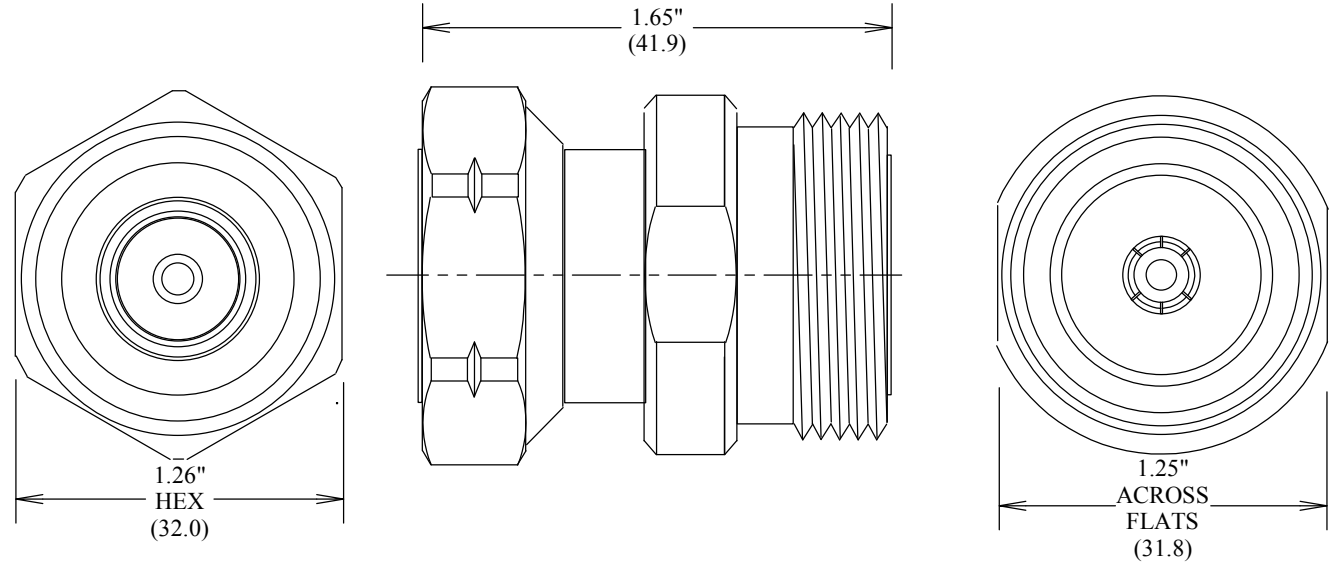
SPECIFICATIONS

ELECTRICAL

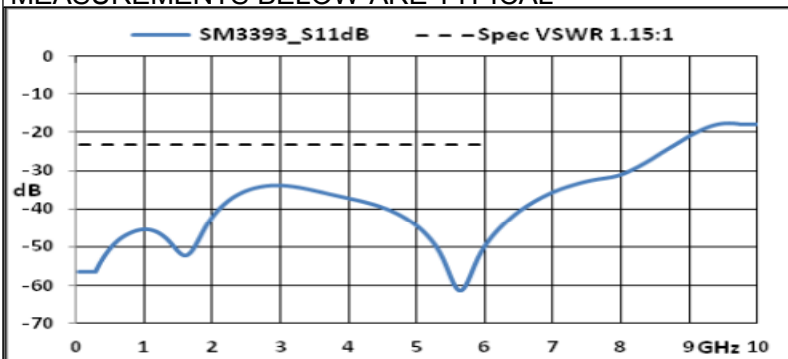
FREQUENCY: 0-6 GHz
 IMPEDANCE: 50 OHMS
 VSWR: 1.06 MAX 3GHz 1.15:1 6GHz
 PIMD 3RD: >165 dBc
 USING 2 CW TONES@ 20W/TONE

MECHANICAL

MATERIALS 7/16 BODY:
 SILVER PLATED BRASS
 MATERIALS COUPLING NUT:
 TRIMETAL PLATED BRASS
 MATERIALS CONTACTS:
 SI PLATED BeCu
 INSULATOR: TEFLON
 DURABILITY: 500 CYCLES MIN
 OTHER SPECIFICATIONS PER DIN 47223
 OPERATING TEMP: -55°C TO +120°C
 ROHS COMPLIANT



MEASUREMENTS BELOW ARE TYPICAL



ALL DIMENSIONS IN inches(MM) Typical

FAIRVIEW MICROWAVE INC.

ALLEN, TX 75013 WWW.FAIRVIEWMICROWAVE.COM

TITLE

**7/16 MALE - 7/16 FEMALE
 LOW PIM ADAPTER**

SIZE

A

CAGE CODE

3FKR5

DWG NO

SM3393

REV

A

SCALE

SHEET