

## Precision 3.5mm Male to 7mm Sexless Adapter

Precision 3.5mm male to 7mm sexless adapter part number SM3358 from Fairview Microwave is in-stock and ships same day. This Fairview 3.5mm to 7mm adapter has a male to sexless gender configuration and is built of durable stainless steel in a precision design. SM3358 3.5mm male to 7mm sexless adapter operates to 18 GHz. The 3.5mm connector mates mechanically with commercially available SMA and 2.92mm (K) connectors. The Fairview Microwave RF adapter provides excellent VSWR of 1.15:1 maximum.

RF adapters can be used to enable connections between two connector types that would otherwise not mate. Certain RF adapter configurations can also be used to protect connectors on expensive equipment where the number of connect and disconnect cycles is high. An RF, microwave, or millimeter wave adapter is connected to the equipment and the commonly changed connection is made with the adapter which can be easily replaced when it wears out after high usage; such adapters are referred to as connector savers. Fairview Microwave also offers bulkhead, panel mount, hermetically sealed, reverse polarity, and isolated ground adapter varieties to serve all of your RF, microwave and millimeter wave needs.

### Electrical Specifications

Description	Min	Typ	Max	Units
Frequency Range	DC		18	GHz
VSWR			1.15:1	

Electrical Specification Notes:  
 Values at 25°C, sea level.

### Mechanical Specifications

Size		
Length	1.37 in [34.8 mm]	
Weight	0.09744 lbs [44.2 g]	
Description	Connector 1	Connector 2
Type	3.5mm Male	7mm Sexless
Polarity	Standard	Standard
Mating Cycles	500	500
Mating Torque	8 to 10 in-lbs [0.90 to 1.13 Nm]	12 to 15 in-lbs [1.36 to 1.70 Nm]



### Configuration:

- 3.5mm Male Connector 1
- 7mm Sexless Connector 2
- 50 Ohms
- Precision Design
- Straight Body Geometry

### Features:

- VSWR of 1.15:1 max up to 18 GHz
- Contact plating according to MIL-G-45204
- Gold over Nickel Plated Beryllium Copper Contact

### Applications:

- Enables Between Series Connections
- General Purpose Test
- Precision Test & Measurement

Fairview Microwave  
 1130 Junction Dr. #100  
 Allen, TX 75013  
 Tel: 1-800-715-4396 / (972) 649-6678  
 Fax: (972) 649-6689  
[www.fairviewmicrowave.com](http://www.fairviewmicrowave.com)  
[sales@fairviewmicrowave.com](mailto:sales@fairviewmicrowave.com)

**Material Specifications**

Description	Connector 1	Connector 2
Type	3.5mm Male	7mm Sexless
Contact Material	Beryllium Copper	Beryllium Copper
Contact Plating	Gold over Nickel	Gold over Nickel
Contact Plating Spec.	MIL-G-45204	MIL-G-45204
Insulation Material	Oxide-Noryl	Oxide-Noryl
Body Material	Passivated Stainless Steel	Passivated Stainless Steel
Body Plating Spec.	ASTM A380	ASTM A380
Coupling Nut Material	Passivated Stainless Steel	Passivated Stainless Steel
Coupling Nut Plating Spec.	ASTM A380	ASTM A380

**Environmental Specifications**

**Temperature**

Operating Range

Vibration

Salt Spray

-55 to +100 deg C

MIL-STD 202, Method 204, Condition D (20 G's)

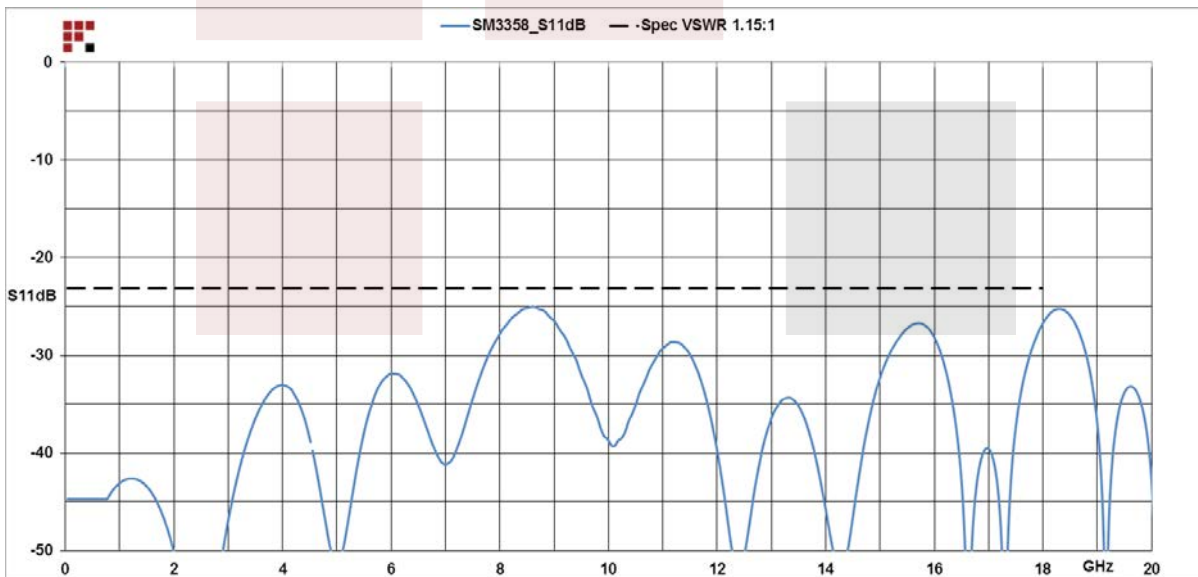
MIL-STD 202, Method 101, Condition B, 5% salt solution

**Compliance Certifications** (see [product page](#) for current document)

**Plotted and Other Data**

Notes:

**Typical Performance Data**



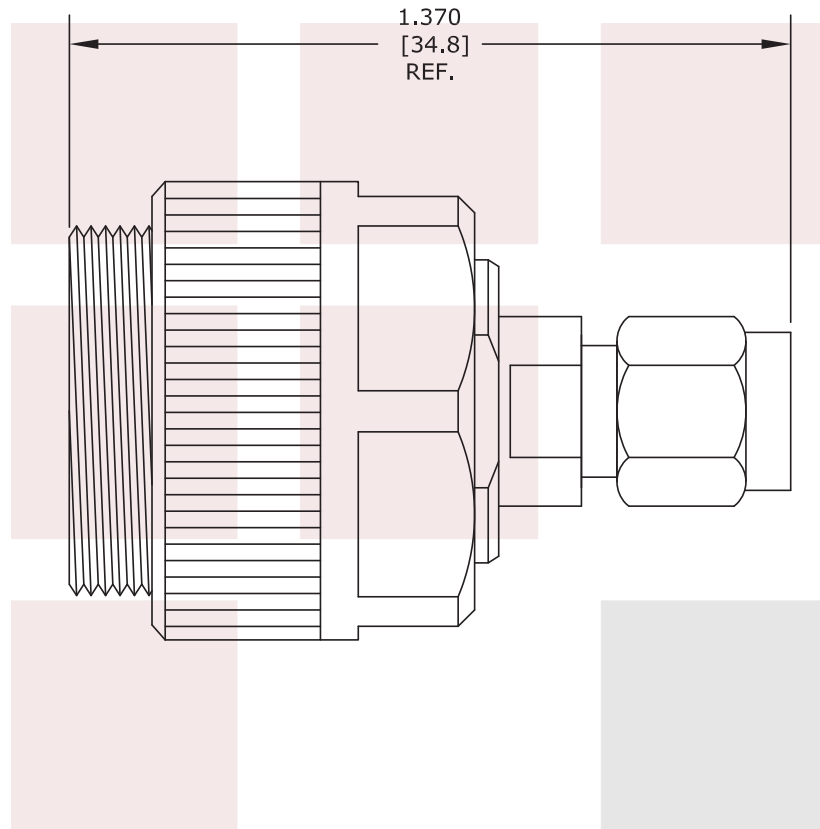
Precision 3.5mm Male to 7mm Sexless Adapter from Fairview Microwave is in-stock and available to ship same-day. All of our RF/microwave products are available off-the-shelf from our ISO 9001:2008 certified facilities in Allen, Texas. Fairview Microwave is RF on-demand.

For additional information on this product, please click the following link: [Precision 3.5mm Male to 7mm Sexless Adapter SM3358](#)

URL: <https://www.fairviewmicrowave.com/3.5mm-male-7mm-sexless-adapter-sm3358-p.aspx>

The information contained in this document is accurate to the best of our knowledge and representative of the part described herein. It may be necessary to make modifications to the part and/or the documentation of the part, in order to implement improvements. Fairview Microwave reserves the right to make such changes as required. Unless otherwise stated, all specifications are nominal. Fairview Microwave does not make any representation or warranty regarding the suitability of the part described herein for any particular purpose, and Fairview Microwave does not assume any liability arising out of the use of any part or documentation.





<b>FAIRVIEW MICROWAVE INC.</b> ALLEN, TX 75013 WWW.FAIRVIEWMICROWAVE.COM		NOTES: 1. UNLESS OTHERWISE SPECIFIED ALL DIMENSIONS ARE NOMINAL. 2. ALL SPECIFICATIONS ARE SUBJECT TO CHANGE WITHOUT NOTICE AT ANY TIME. 3. DIMENSIONS ARE IN INCHES [mm].			
TITLE Precision 3.5mm Male to 7mm Sexless Adapter		DWG NO SM3358		CAGE CODE 3FKR5	
CAD FILE	120315	SHEET	SCALE	N/A	SIZE A 150