

Precision 3.5mm Female to 7mm Sexless Adapter

Precision 3.5mm female to 7mm sexless adapter part number SM3357 from Fairview Microwave is in-stock and ships same day. This Fairview 3.5mm to 7mm adapter has a female to sexless gender configuration in a precision design. SM3357 3.5mm female to 7mm sexless adapter operates to 18 GHz. The 3.5mm connector mates mechanically with commercially available SMA and 2.92mm (K) connectors. The Fairview Microwave RF adapter provides excellent VSWR of 1.15:1 maximum.

RF adapters can be used to enable connections between two connector types that would otherwise not mate. Certain RF adapter configurations can also be used to protect connectors on expensive equipment where the number of connect and disconnect cycles is high. An RF, microwave, or millimeter wave adapter is connected to the equipment and the commonly changed connection is made with the adapter which can be easily replaced when it wears out after high usage; such adapters are referred to as connector savers. Fairview Microwave also offers bulkhead, panel mount, hermetically sealed, reverse polarity, and isolated ground adapter varieties to serve all of your RF, microwave and millimeter wave needs.

Electrical Specifications

| Description | Min | Typ | Max | Units |
|-----------------|-----|-----|--------|-------|
| Frequency Range | DC | | 18 | GHz |
| VSWR | | | 1.15:1 | |

Electrical Specification Notes:
 Values at 25°C, sea level.

Mechanical Specifications

| Size | |
|--------|----------------------|
| Length | 1.355 in [34.42 mm] |
| Weight | 0.09524 lbs [43.2 g] |

| Description | Connector 1 | Connector 2 |
|---------------|--------------------------------------|-------------|
| Type | 3.5mm Female | 7mm Sexless |
| Polarity | Standard | Standard |
| Mating Cycles | 500 | 500 |
| Mating Torque | 12 to 15 in-lbs [1.36 to 1.70 Nm] | |



Configuration:

- 3.5mm Female Connector 1
- 7mm Sexless Connector 2
- 50 Ohms
- Precision Design
- Straight Body Geometry

Features:

- VSWR of 1.15:1 max up to 18 GHz
- Contact plating according to MIL-G-45204
- Gold over Nickel Plated Beryllium Copper Contact

Applications:

- Enables Between Series Connections
- General Purpose Test
- Precision Test & Measurement

Fairview Microwave
 1130 Junction Dr. #100
 Allen, TX 75013
 Tel: 1-800-715-4396 / (972) 649-6678
 Fax: (972) 649-6689
www.fairviewmicrowave.com
sales@fairviewmicrowave.com

Material Specifications

| Description | Connector 1 | Connector 2 |
|-----------------------------|----------------------------|----------------------------|
| Type | 3.5mm Female | 7mm Sexless |
| Contact Material | Beryllium Copper | Beryllium Copper |
| Contact Plating | Gold over Nickel | Gold over Nickel |
| Contact Plating Spec. | MIL-G-45204 | MIL-G-45204 |
| Insulation Material | Oxide-Noryl | Oxide-Noryl |
| Outer Contact Material | Passivated Stainless Steel | |
| Outer Contact Plating Spec. | ASTM A380 | |
| Body Material | | Passivated Stainless Steel |
| Body Plating Spec. | | ASTM A380 |
| Coupling Nut Material | | Passivated Stainless Steel |
| Coupling Nut Plating Spec. | | ASTM A380 |

Environmental Specifications

Temperature

Operating Range

-55 to +100 deg C

Vibration

MIL-STD 202, Method 204, Condition D (20 G's)

Salt Spray

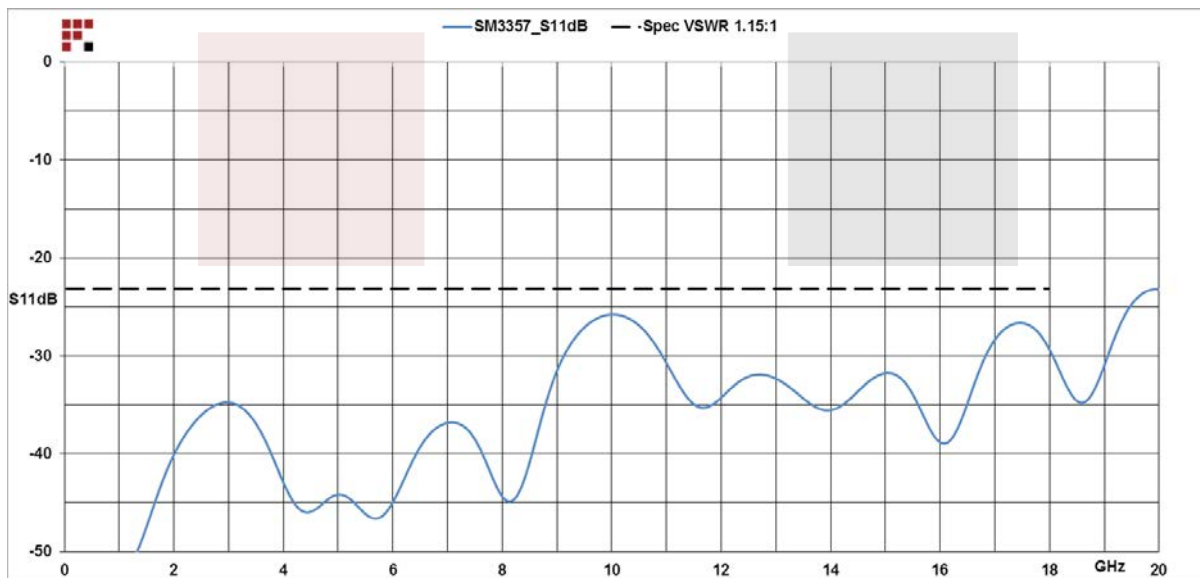
MIL-STD 202, Method 101, Condition B, 5% salt solution

Compliance Certifications (see [product page](#) for current document)

Plotted and Other Data

Notes:

Typical Performance Data



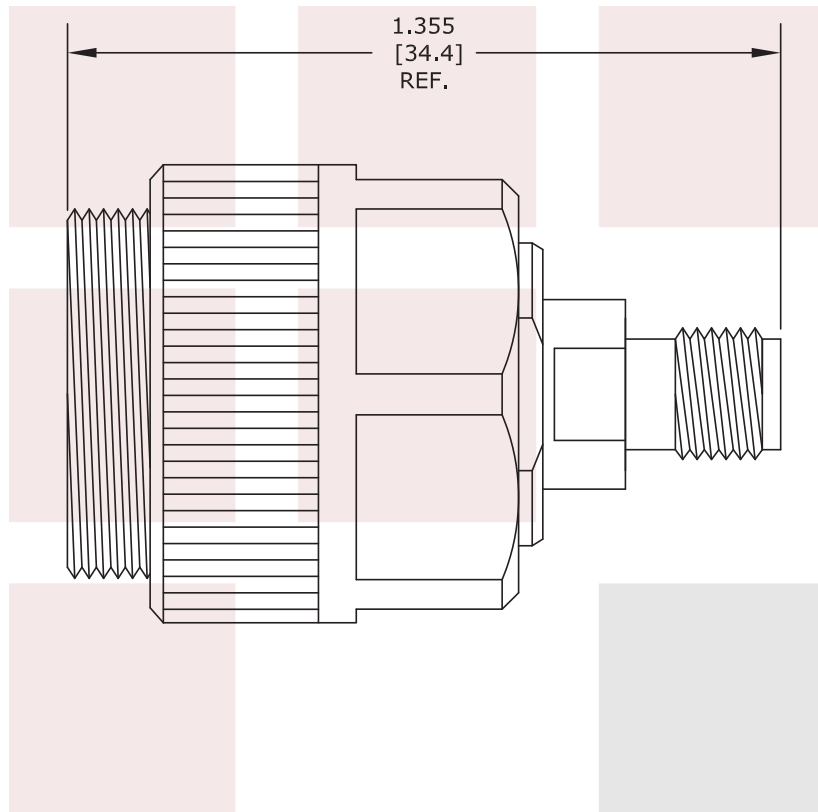
Precision 3.5mm Female to 7mm Sexless Adapter from Fairview Microwave is in-stock and available to ship same-day. All of our RF/microwave products are available off-the-shelf from our ISO 9001:2008 certified facilities in Allen, Texas. Fairview Microwave is RF on-demand.

For additional information on this product, please click the following link: [Precision 3.5mm Female to 7mm Sexless Adapter SM3357](#)

URL: <https://www.fairviewmicrowave.com/3.5mm-female-7mm-sexless-adapter-sm3357-p.aspx>

The information contained in this document is accurate to the best of our knowledge and representative of the part described herein. It may be necessary to make modifications to the part and/or the documentation of the part, in order to implement improvements. Fairview Microwave reserves the right to make such changes as required. Unless otherwise stated, all specifications are nominal. Fairview Microwave does not make any representation or warranty regarding the suitability of the part described herein for any particular purpose, and Fairview Microwave does not assume any liability arising out of the use of any part or documentation.





| | | | | | |
|---|--------|---|-------|--------------------|------------|
| FAIRVIEW MICROWAVE INC. ALLEN, TX 75013 WWW.FAIRVIEWMICROWAVE.COM | | NOTES: 1. UNLESS OTHERWISE SPECIFIED ALL DIMENSIONS ARE NOMINAL. 2. ALL SPECIFICATIONS ARE SUBJECT TO CHANGE WITHOUT NOTICE AT ANY TIME. 3. DIMENSIONS ARE IN INCHES [mm]. | | | |
| TITLE Precision 3.5mm Female to 7mm Sexless Adapter | | DWG NO SM3357 | | CAGE CODE 3FKR5 | |
| CAD FILE | 120315 | SHEET | SCALE | N/A | SIZE A 150 |