

**Bandpass Cavity Filter Operating From 1.565 GHz to 1.585 GHz With SMA Female Connectors**

The SF15751 is a three section band pass filter that is useful for filtering for GPS uses. The pass band is 20 MHz, or 1.565 to 1.585 GHz. Implementing a combline design, the filter has excellent rejection of 55 dB minimum at 1.45 GHz and 1.7 GHz, or about 115 MHz from the band edges. It has a typical insertion loss of 1.5 dB. The SF15751 has SMA Female connectors.



**Electrical Specifications**

Description	Min	Typ	Max	Units
Passband Frequency	1.565		1.585	GHz
Impedance		50		Ohms
Insertion Loss		1.5		dB
Passband VSWR		1.5:1		
Rejection at 1.45 GHz	55			dB
Rejection at 1.7 GHz	55			dB
Input Power, CW			5	Watts

Electrical Specification Notes:  
 Values at 25°C, sea level.

**Mechanical Specifications**

Size	
Length	2.25 in [57.15 mm]
Width	1.55 in [39.37 mm]
Height	0.53 in [13.46 mm]
Weight	0.158 lbs [71.67 g]
Configuration	
Design	Comblin
Number of Sections	3
Package Style	Connectorized Module
Connector 1	SMA Female
Connector 2	SMA Female

**Compliance Certifications** (visit [www.FairviewMicrowave.com](http://www.FairviewMicrowave.com) for current document)

RoHS Compliant	Yes
REACH Compliant	12/17/2015

**Plotted and Other Data**

Notes:

**Features:**

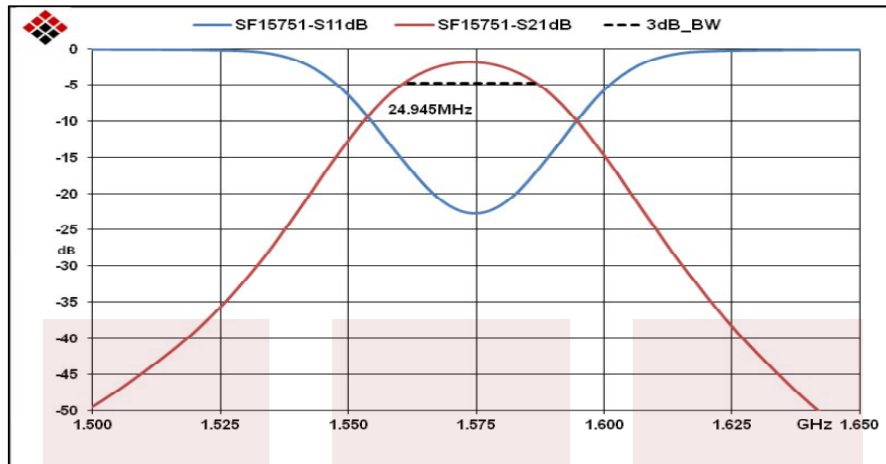
- Pass band of 20 MHz
- 1.565 to 1.585 GHz
- Three section
- Comblin filter design
- 55 dB minimum rejection at 1.45 GHz and 1.7 GHz (about 115 MHz from band edge)
- Typical insertion loss of 1.5 dB
- Female SMA connectors

**Applications:**

- GPS

Fairview Microwave  
 1130 Junction Dr. #100  
 Allen, TX 75013  
 Tel: 1-800-715-4396 / (972) 649-6678  
 Fax: (972) 649-6689  
[www.fairviewmicrowave.com](http://www.fairviewmicrowave.com)  
[sales@fairviewmicrowave.com](mailto:sales@fairviewmicrowave.com)

**Typical Performance Data**



Bandpass Cavity Filter Operating From 1.565 GHz to 1.585 GHz With SMA Female Connectors from Fairview Microwave is in-stock and available to ship same-day. All of our RF/microwave products are available off-the-shelf from our ISO 9001:2008 certified facilities in Allen, Texas. Fairview Microwave is RF on-demand.

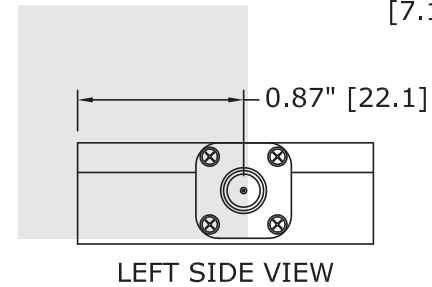
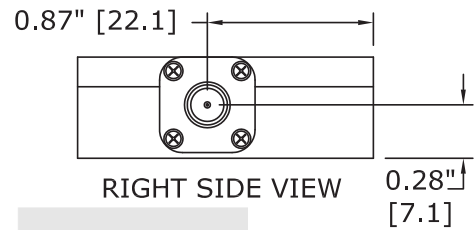
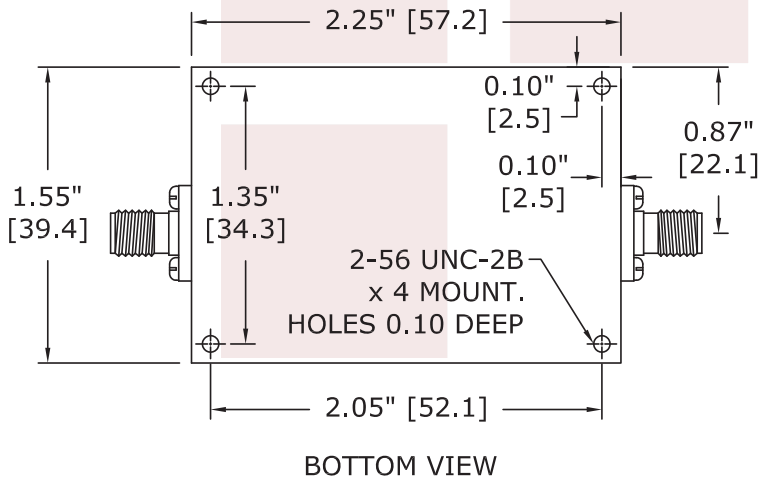
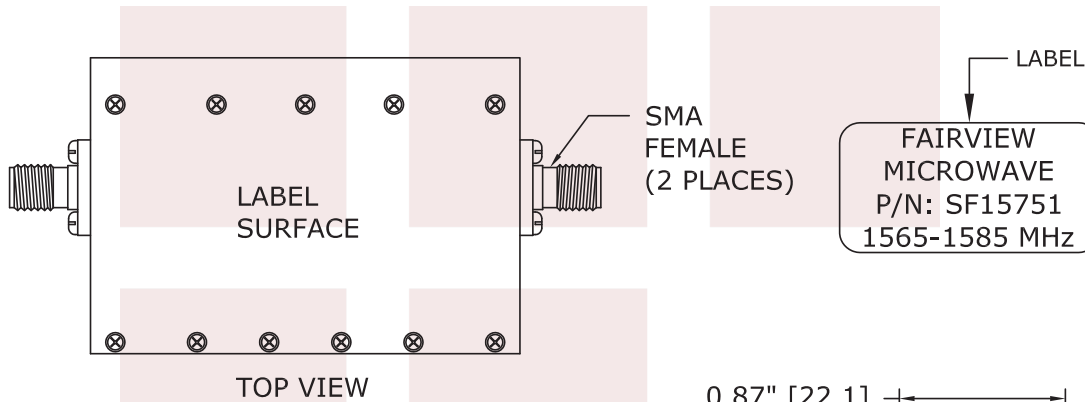
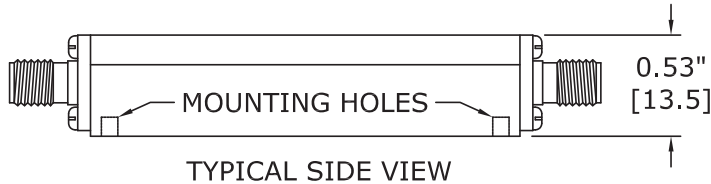
For additional information on this product, please click the following link: [Bandpass Cavity Filter Operating From 1.565 GHz to 1.585 GHz With SMA Female Connectors SF15751](#)

URL: <http://www.fairviewmicrowave.com/bandpass-cavity-filter-1.565-1.585-ghz-with-sma-female-connectors-sf15751-p.aspx>

The information contained in this document is accurate to the best of our knowledge and representative of the part described herein. It may be necessary to make modifications to the part and/or the documentation of the part, in order to implement improvements. Fairview Microwave reserves the right to make such changes as required. Unless otherwise stated, all specifications are nominal. Fairview Microwave does not make any representation or warranty regarding the suitability of the part described herein for any particular purpose, and Fairview Microwave does not assume any liability arising out of the use of any part or documentation.

STANDARD TOLERANCES	
.X	±0.1
.XX	±0.01
.XXX	±0.005

\*STANDARD TOLERANCES APPLY ONLY TO DIMENSIONS IN INCHES



<b>FAIRVIEW MICROWAVE INC.</b> ALLEN, TX 75013 WWW.FAIRVIEWMICROWAVE.COM		NOTES: 1. UNLESS OTHERWISE SPECIFIED ALL DIMENSIONS ARE NOMINAL. 2. ALL SPECIFICATIONS ARE SUBJECT TO CHANGE WITHOUT NOTICE AT ANY TIME. 3. DIMENSIONS ARE IN INCHES [mm].			
TITLE Bandpass Cavity Filter Operating From 1.565 GHz to 1.585 GHz With SMA Female Connectors		DWG NO SF15751		CAGE CODE 3FKR5	
CAD FILE	031416	SHEET	SCALE	N/A	SIZE A 3045