

## Inner and Outer DC Block From 10 MHz to 18 GHz With SMA Connectors

Fairview Microwave's SD3258 is an inner and outer DC block with SMA connectors. It has a blocking capacitor on the inner and outer conductor and operates from 10 MHz to 18 GHz. Our SMA DC block offers good insertion loss of 0.75 dB and has a maximum operating voltage of 200 Vdc. DC blocks are commonly used to filter out unwanted DC signals, while allowing AC drive signals to pass through. They can help improve signal to noise ratio (SNR), eliminate ground loops, or provide isolation in your test setup. All of Fairview Microwave's DC blocks are in stock and available to ship same-day.



### Electrical Specifications

Description	Min	Typ	Max	Units
Frequency Range	0.01		18	GHz
Impedance		50		Ohms
VSWR			1.35:1	
Insertion Loss			0.75	dB
Operating Voltage (DC)			200	Volts
Input Power (CW)			2	Watts

### Mechanical Specifications

<b>Size</b>	
Length	1.3 in [33.02 mm]
Width	0.5 in [12.7 mm]
Weight	0.0285 lbs [12.93 g]
Housing Material and Plating	Plastic
<b>Configuration</b>	
Design	Inner/Outer DC Block
Package Type	Connectorized

Description	Connector 1	Connector 2
Type	SMA Male	SMA Female
Inner Cond Material & Plating	Beryllium Copper, Gold	Beryllium Copper, Gold
Coupling Nut Material & Plating	Passivated Stainless Steel	
Torque	8 in-lbs [0.9 Nm]	
Body Material & Plating	Passivated Stainless Steel	Passivated Stainless Steel

### Environmental Specifications

#### Temperature

Operating Range -65 to +125 deg C

### Compliance Certifications (see [product page](#) for current document)

### Plotted and Other Data

Notes:

### Features:

- Inner-Outer DC Block
- Operates from 10MHz to 18GHz
- Good Insertion Loss of 0.75 dB Max

### Applications:

- Test & Measurement
- Ground Loop Elimination
- Signal to Noise Ratio (SNR) Improvement

Fairview Microwave  
 301 Leora Ln., Suite 100  
 Lewisville, TX 75056  
 Tel: 1-800-715-4396 / (972) 649-6678  
 Fax: (972) 649-6689  
[www.fairviewmicrowave.com](http://www.fairviewmicrowave.com)  
[sales@fairviewmicrowave.com](mailto:sales@fairviewmicrowave.com)

Inner and Outer DC Block From 10 MHz to 18 GHz With SMA Connectors from Fairview Microwave is in-stock and available to ship same-day. All of our RF/microwave products are available off-the-shelf from our ISO 9001:2008 certified facilities in Lewisville, Texas. Fairview Microwave is RF on-demand.

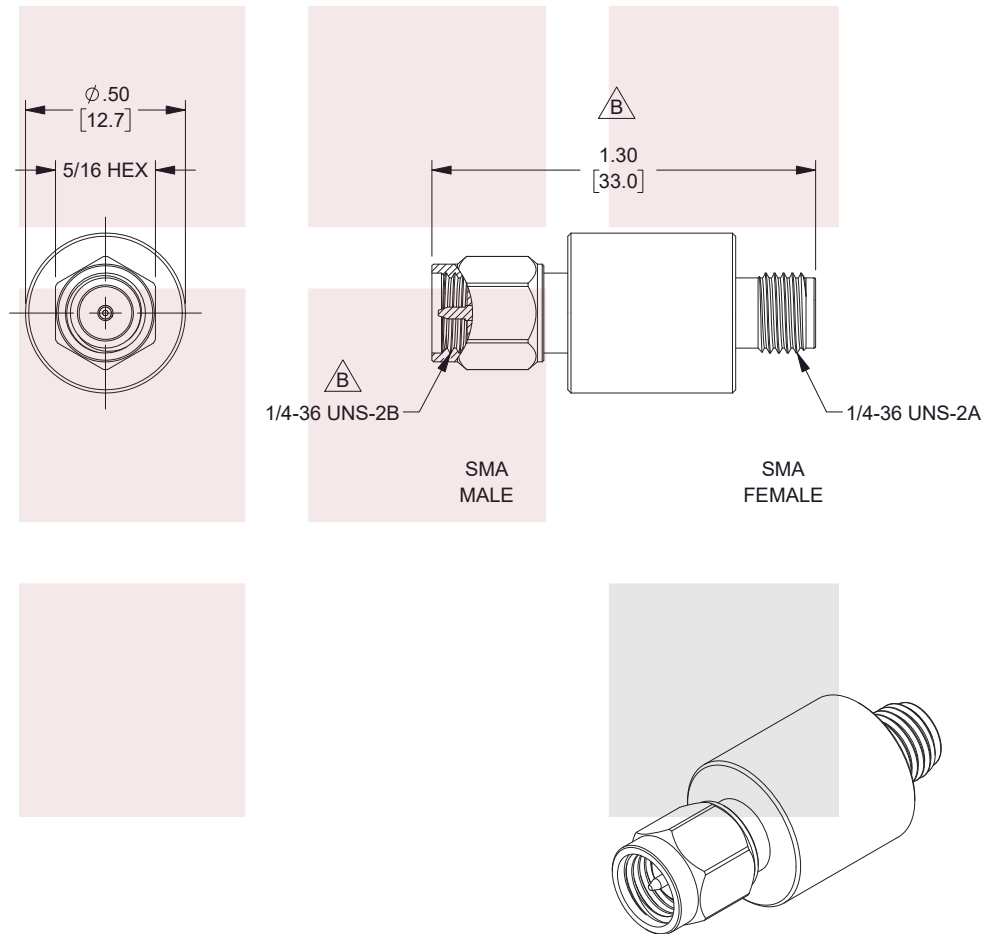
Click the following link to obtain additional part information: [Inner and Outer DC Block From 10 MHz to 18 GHz With SMA Connectors SD3258](#)

URL: <https://www.fairviewmicrowave.com/inner-outer-dc-block-10-mhz-18-ghz-sma-connectors-sd3258-p.aspx>

The information contained in this document is accurate to the best of our knowledge and representative of the part described herein. It may be necessary to make modifications to the part and/or the documentation of the part, in order to implement improvements. Fairview Microwave reserves the right to make such changes as required. Unless otherwise stated, all specifications are nominal. Fairview Microwave does not make any representation or warranty regarding the suitability of the part described herein for any particular purpose, and Fairview Microwave does not assume any liability arising out of the use of any part or documentation.



REVISIONS			
REV.	DESCRIPTION	DATE	APPROVED
B	PCR SD3258 20220615	06/20/2022	SPONG



THESE COMMODITIES, TECHNOLOGY OR SOFTWARE WERE EXPORTED FROM THE UNITED STATES IN ACCORDANCE WITH THE EXPORT ADMINISTRATION REGULATIONS. DIVERSION CONTRARY TO U.S. LAW PROHIBITED.



TITLE  
Inner and Outer DC Block From 10 MHz to 18 GHz  
With SMA Connectors

UNLESS OTHERWISE SPECIFIED LEADING DIMENSIONS ARE INCHES  
DIMENSIONS IN [ ] ARE MILLIMETERS

TOLERANCES:		CABLE LENGTH (L) TOLERANCES:	
.X = ± 2 [5.08]	FRACTIONS ± 1/32	L ≤ 12 [305] = +1 [25] / -0	
.XX = ± 0.02 [51]	ANGLES ± 1°	12 [305] < L ≤ 60 [1524] = +2 [51] / -0	
.XXX = ± 0.005 [13]		60 [1524] < L ≤ 120 [3048] = +4 [102] / -0	
		120 [3048] < L ≤ 300 [7620] = +6 [152] / -0	
		300 [7620] < L = +5%L / -0	

THIRD-ANGLE PROJECTION  
THE INFORMATION AND DESIGN IN THIS DOCUMENT IS THE PROPERTY OF FAIRVIEW MICROWAVE CORPORATION. ALL RIGHTS RESERVED.

ALL DIMENSIONS SHOWN ARE FOR REFERENCE ONLY.				SCALE
SIZE A	CAGE CODE 3FKR5	DRAWN BY KDANG	ITEM NO. SD3258	N/A
			SHEET 1	OF 1
			REV A	

T-Rev.D