

MMCX-PLUG .086 SR DIRECT SOLDER

SC9511

SPECIFICATIONS

ELECTRICAL:

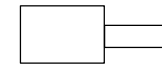
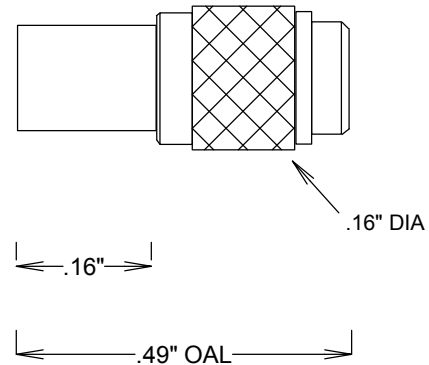
FREQUENCY: 0-6 GHZ
VSWR 1.25:1 MAX
IMPEDANCE: 50 OHMS
OP. TEMP RANGE: -55C to +125C

MECHANICAL:

MATERIAL BODY: BRASS AU PLATING
CENTER CONTACT: Brass
CONTACT PLATING: Au MIL-G-45204
INSULATOR: TEFLON

ASSEMBLY

TRIM CABLE AS SHOWN,
SOLDER ON CONTACT , .015" GAP
BETWEEN CONTACT & DIELECTRIC
INSERT CABLE INTO BODY
SOLDER JACKET TO BODY, KEEPING END
OF CABLE FLUSH WITH DIELECTRIC



STRIPPING DIMENSIONS

FAIRVIEW MICROWAVE INC.

ALLEN, TX 75013 WWW.FAIRVIEWMICROWAVE.COM

TITLE

MMCX-PLUG .086 SR DIRECT SOLDER

SIZE	CAGE CODE	DWG NO	REV
A	3FKR5	SC9511	
SCALE	SHEET		