

# SMC 4 HOLE FLANGE SOLDER POT

SC8817

## SPECIFICATIONS

### ELECTRICAL:

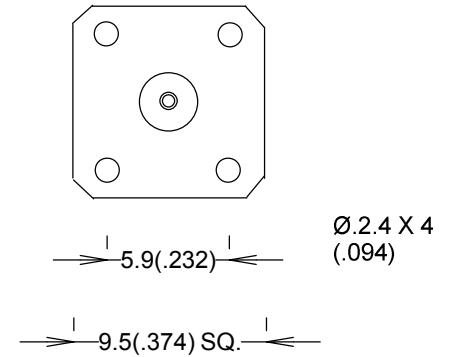
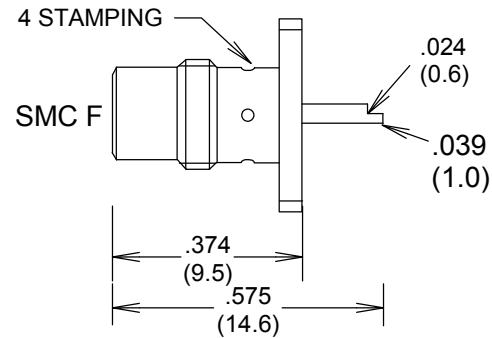
FREQUENCY: DC-10 GHZ  
 IMPEDANCE: 50 OHMS

### MECHANICAL:

MATERIAL BODY: BRASS  
 CENTER CONTACT: BeCu PER 30μ-IN  
 INSULATOR: TEFLON  
 INTERFACE: MIL-STD-883A

OP TEMPERATURE: -55° TO +125°C

ROHS COMPLIANT



**FAIRVIEW MICROWAVE INC.**

ALLEN, TX 75013 WWW.FAIRVIEWMICROWAVE.COM

TITLE

SMC 4 HOLE FLANGE SOLDER POT

ALL DIMENSIONS IN inches(MM) Typical	SIZE	CAGE CODE	DWG NO	REV
	<b>A</b>	<b>3FKR5</b>	<b>SC8817</b>	--
	SCALE		SHEET	