

**BNC Female Bulkhead Hermetically Sealed Connector Eyelet Terminal Solder Attachment IP 67 Rated**

**Configuration**

Connector BNC Female

**Electrical Specifications\***

Description	Min	Typ	Max	Units
Impedance		50		Ohms
AC DWV			1,500	Vrms

\* Values at 25°C, sea level

**Mechanical Specifications**

**Size**

Length 1.27 in [32.26 mm]  
 Width/Dia. 0.68 in [17.27 mm]

**Connector**

Type BNC Female  
 Mating Cycles 500  
 Contact Material and Plating Beryllium Copper, Gold  
 Contact Plating Specification 50µ in. minimum  
 Body Material and Plating Beryllium Copper, Silver  
 Body Plating Specification 200µ in. minimum  
 Dielectric Type PTFE

**Compliance Certifications** (visit [www.FairviewMicrowave.com](http://www.FairviewMicrowave.com) for current document)

RoHS Compliant Yes

**Plotted and Other Data**

Notes:

- Values at +25 °C, sea level

BNC Female Bulkhead Hermetically Sealed Connector Eyelet Terminal Solder Attachment IP 67 Rated from Fairview Microwave is in-stock and available to ship same-day. All of our RF/microwave products are available off-the-shelf from our ISO 9001:2008 certified facilities in Allen, Texas. Fairview Microwave is RF on-demand.

For additional information on this product, please click the following link: [BNC Female Bulkhead Hermetically Sealed Connector Eyelet Terminal Solder Attachment IP 67 Rated SC6006](#)

URL: <http://www.fairviewmicrowave.com/bnc-female-standard-eyelet-terminal-connector-sc6006-p.aspx>

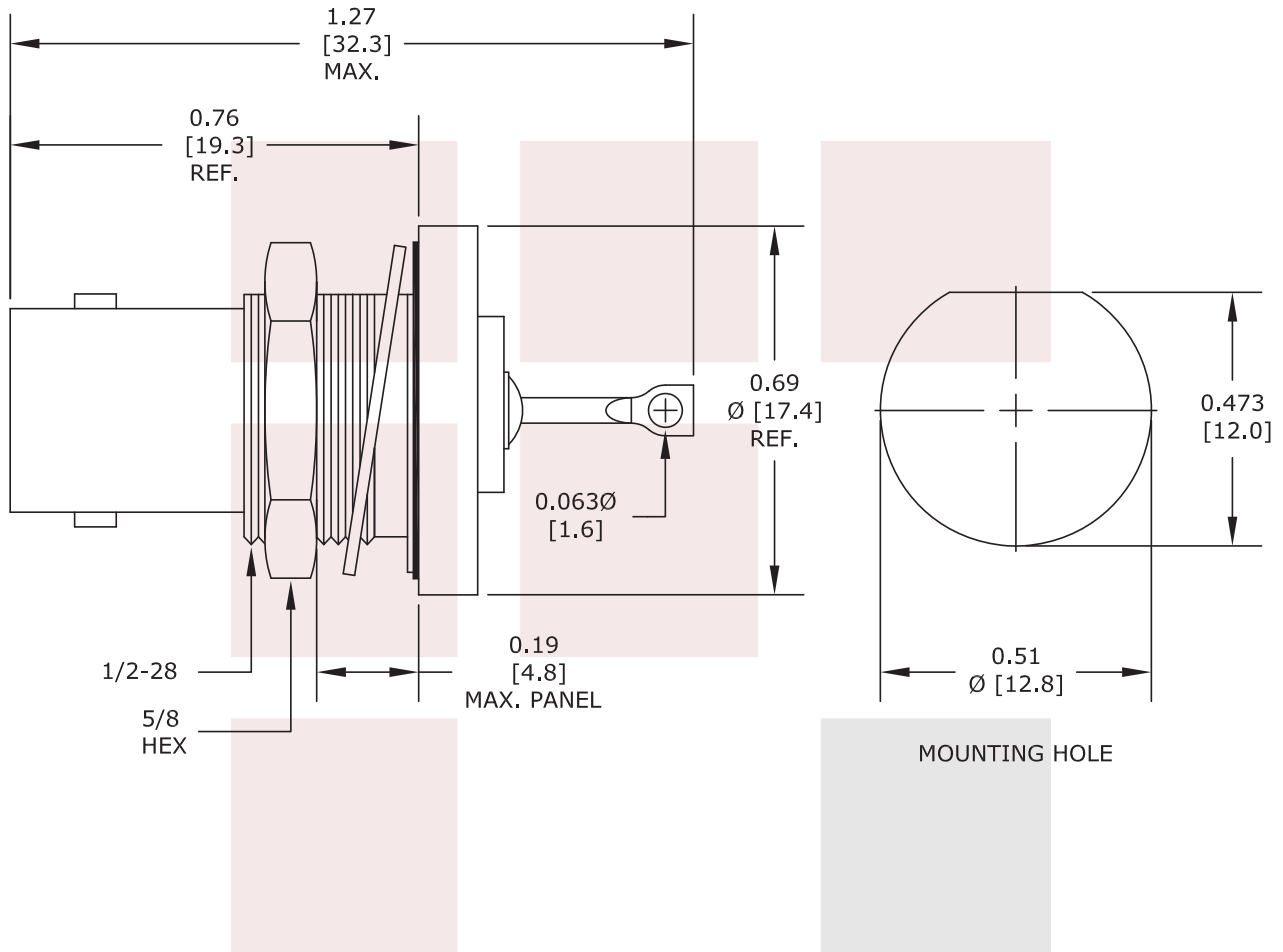
The information contained in this document is accurate to the best of our knowledge and representative of the part described herein. It may be necessary to make modifications to the part and/or the documentation of the part, in order to implement improvements. Fairview Microwave reserves the right to make such changes as required. Unless otherwise stated, all specifications are nominal. Fairview Microwave does not make any representation or warranty regarding the suitability of the part described herein for any particular purpose, and Fairview Microwave does not assume any liability arising out of the use of any part or documentation.



**Features:**

- Specification: MIL-STD-348
- Interface: Eyelet
- Attachment: Solder
- Body Style: Straight
- Mount Method: Bulkhead
- Iso. Ground/Hermetic: Hermetically Sealed

Fairview Microwave  
 1130 Junction Dr. #100  
 Allen, TX 75013  
 Tel: 1-800-715-4396 / (972) 649-6678  
 Fax: (972) 649-6689  
[www.fairviewmicrowave.com](http://www.fairviewmicrowave.com)  
[sales@fairviewmicrowave.com](mailto:sales@fairviewmicrowave.com)



<b>FAIRVIEW MICROWAVE INC.</b> ALLEN, TX 75013 WWW.FAIRVIEWMICROWAVE.COM		NOTES: 1. UNLESS OTHERWISE SPECIFIED ALL DIMENSIONS ARE NOMINAL. 2. ALL SPECIFICATIONS ARE SUBJECT TO CHANGE WITHOUT NOTICE AT ANY TIME. 3. DIMENSIONS ARE IN INCHES [mm].			
TITLE BNC Female Bulkhead Hermetically Sealed Connector Eyelet Terminal Solder Attachment IP 67 Rated		DWG NO SC6006		CAGE CODE 3FKR5	
CAD FILE	081814	SHEET	SCALE	N/A	SIZE A 2233