

MINISMP F 047 CABLE CONNECTOR

SC5437

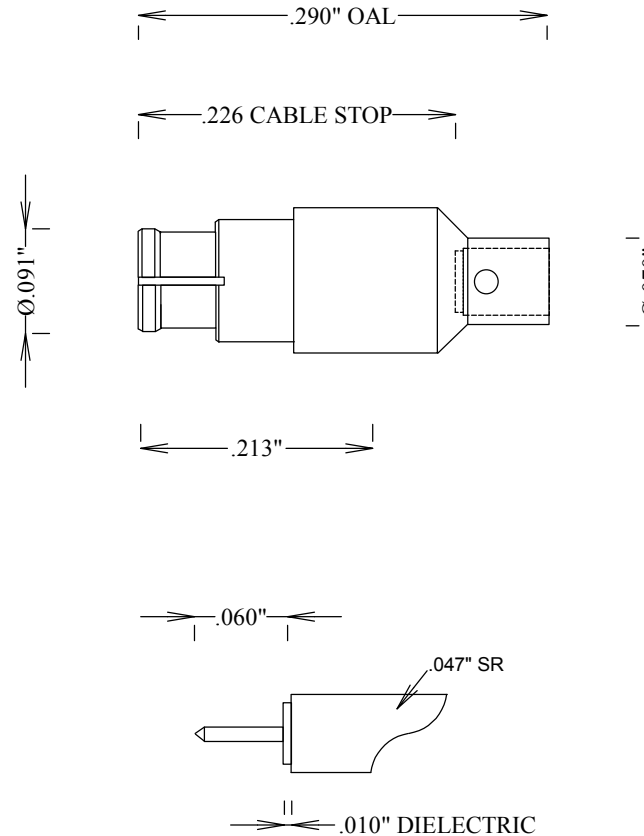
SPECIFICATIONS

ELECTRICAL:

FREQUENCY: 0-60 GHZ
 VSWR 1.35:1 MAX @ 40GHZ
 IMPEDANCE: 50 OHMS
 OP. TEMP RANGE: -55° to +125°C

MECHANICAL:

MATERIAL BODY: BeCu
 CENTER CONTACTS: BeCu
 PLATING: Au PER MIL-G-45204
 INSULATOR: TEFLON
 ROHS COMPLIANT



CABLE TRIM

FAIRVIEW MICROWAVE INC.

ALLEN, TX 75013 WWW.FAIRVIEWMICROWAVE.COM

TITLE

MINISMP F 047 CABLE CONNECTOR

SIZE	CAGE CODE	DWG NO	REV
A	3FKR5	SC5437	--

SCALE	SHEET
-------	-------