

**SMP Male Full Detent Connector 0.220 Inch Pin Terminal Solder Attachment 2 Hole Flange**

**Configuration**

Connector SMP Male, Full Detent

**Electrical Specifications\***

Description	Min	Typ	Max	Units
Frequency Range	DC		40	GHz
Impedance		50		Ohms

\* Values at 25°C, sea level

**Mechanical Specifications**

**Connector**

Type	SMP Male
Contact Material and Plating	Beryllium Copper, Gold
Contact Plating Specification	MIL-G-45204
Body Material and Plating	Passivated Stainless Steel
Dielectric Type	PTFE

**Compliance Certifications** (visit [www.FairviewMicrowave.com](http://www.FairviewMicrowave.com) for current document)

RoHS Compliant	Yes
REACH Compliant	Yes

**Plotted and Other Data**

Notes:  
 • Values at +25 °C, sea level

SMP Male Full Detent Connector 0.220 Inch Pin Terminal Solder Attachment 2 Hole Flange from Fairview Microwave is in-stock and available to ship same-day. All of our RF/microwave products are available off-the-shelf from our ISO 9001:2008 certified facilities in Allen, Texas. Fairview Microwave is RF on-demand.

For additional information on this product, please click the following link: [SMP Male Full Detent Connector 0.220 Inch Pin Terminal Solder Attachment 2 Hole Flange SC5323](#)

URL: <http://www.fairviewmicrowave.com/smp-male-full-detent-0.220-pin-terminal-connector-sc5323-p.aspx>

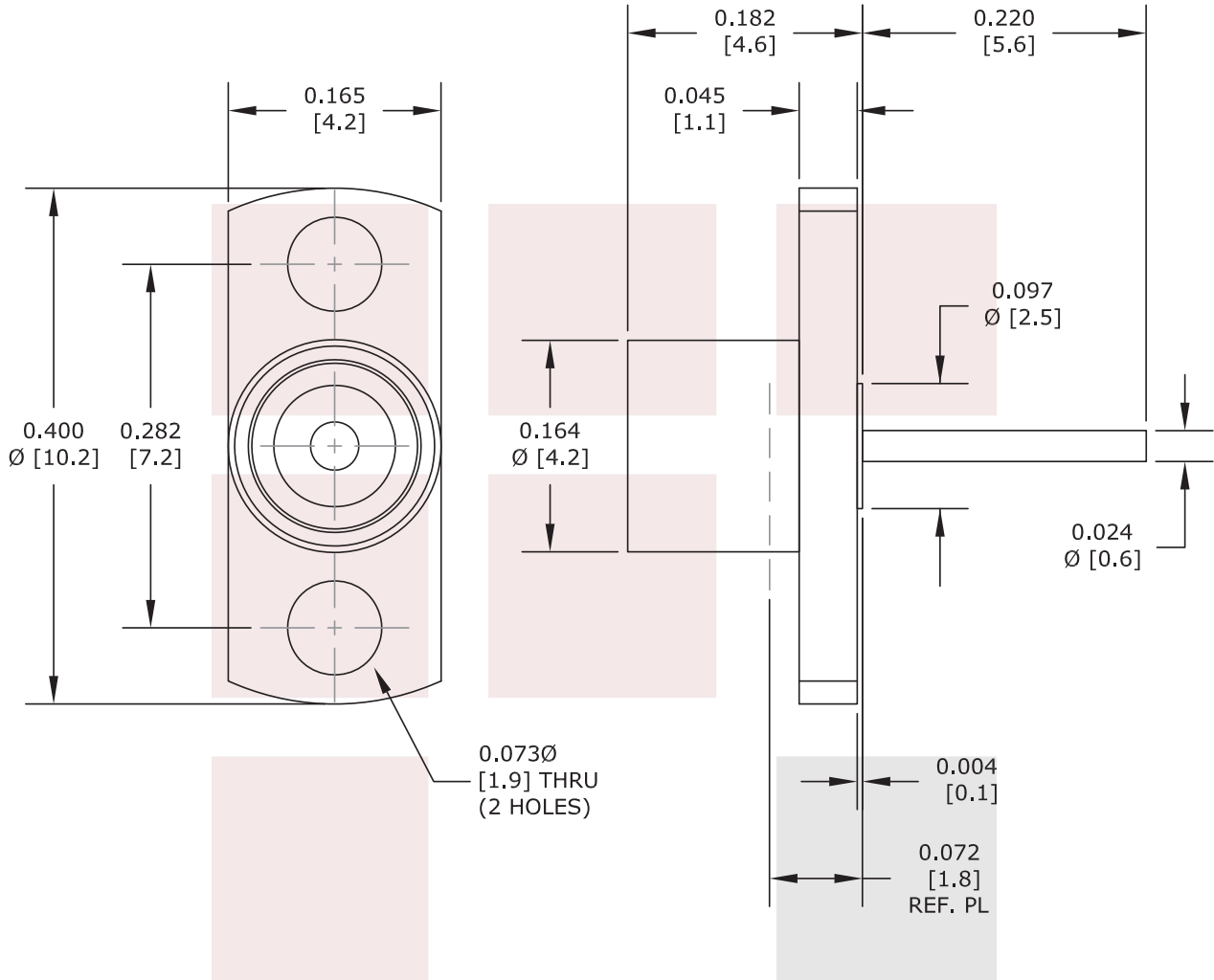
The information contained in this document is accurate to the best of our knowledge and representative of the part described herein. It may be necessary to make modifications to the part and/or the documentation of the part, in order to implement improvements. Fairview Microwave reserves the right to make such changes as required. Unless otherwise stated, all specifications are nominal. Fairview Microwave does not make any representation or warranty regarding the suitability of the part described herein for any particular purpose, and Fairview Microwave does not assume any liability arising out of the use of any part or documentation.



**Features:**

- Interface: 0.220 Inch Pin
- Attachment: Solder
- Body Style: Straight
- Mount Method: 2 Hole Flange

Fairview Microwave  
 1130 Junction Dr. #100  
 Allen, TX 75013  
 Tel: 1-800-715-4396 / (972) 649-6678  
 Fax: (972) 649-6689  
[www.fairviewmicrowave.com](http://www.fairviewmicrowave.com)  
[sales@fairviewmicrowave.com](mailto:sales@fairviewmicrowave.com)



<b>FAIRVIEW MICROWAVE INC.</b> ALLEN, TX 75013 WWW.FAIRVIEWMICROWAVE.COM		NOTES: 1. UNLESS OTHERWISE SPECIFIED ALL DIMENSIONS ARE NOMINAL. 2. ALL SPECIFICATIONS ARE SUBJECT TO CHANGE WITHOUT NOTICE AT ANY TIME. 3. DIMENSIONS ARE IN INCHES [mm].			
TITLE SMP Male Full Detent Connector 0.220 Inch Pin Terminal Solder Attachment 2 Hole Flange		DWG NO SC5323		CAGE CODE 3FKR5	
CAD FILE	090814	SHEET	SCALE	N/A	SIZE A 2233