

SMP MALE SMOOTH BORE FLANGE SHROUD .282 SPACING

SC5320

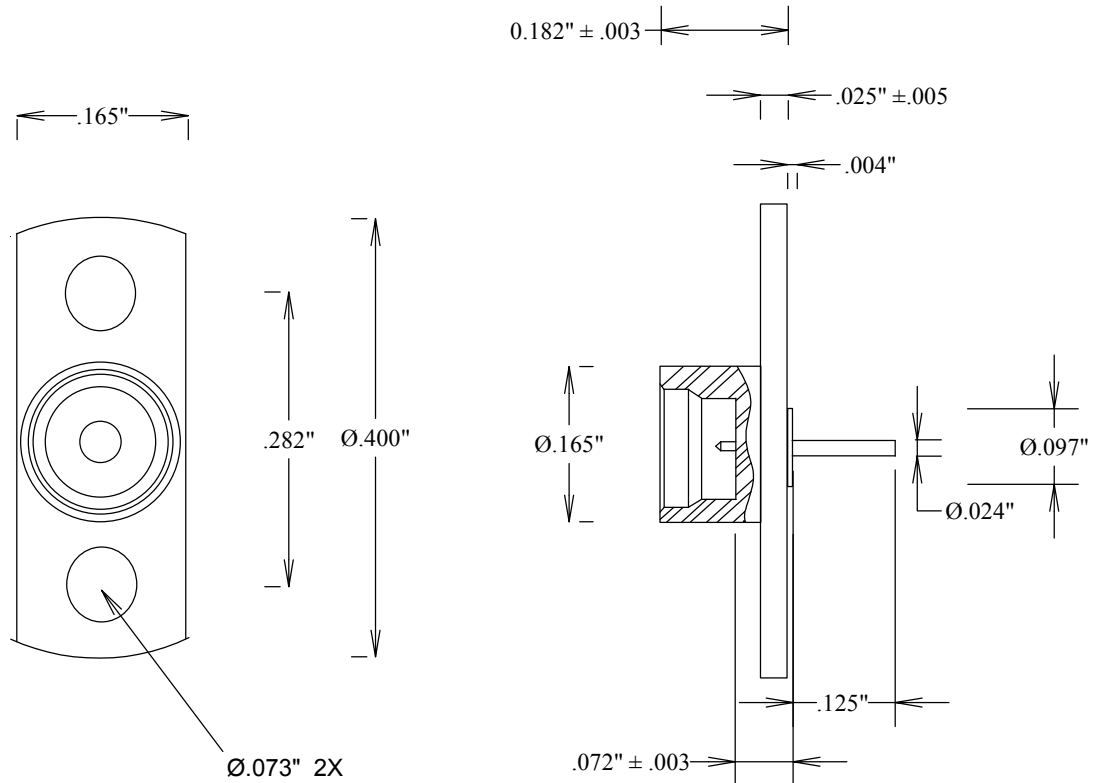
SPECIFICATIONS

ELECTRICAL:

FREQUENCY: 0-40 GHZ
 IMPEDANCE: 50 OHMS
 OP. TEMP RANGE: -55° to +125°C

MECHANICAL:

MATERIAL: PASSIVATED S STEEL
 INTERFACE: SMP DESC 94007
 SMOOTH BORE
 FORCE TO ENGAGE: 2.0 LBS MAX
 FORCE TO DISENGAGE: 0.5 LBS MIN
 ROHS COMPLIANT



| | | | | | |
|----------|--------------|---------------|-----------|------------------------------------------------------------------------------------------|--|
| | | | | FAIRVIEW MICROWAVE INC. | |
| | | | | ALLEN, TX 75013 WWW.FAIRVIEWMICROWAVE.COM | |
| | | | | TITLE | |
| | | | | SMP MALE SMOOTH BORE FLANGE SHROUD .282 SPACING | |
| SIZE | CAGE CODE | DWG NO | REV | | |
| A | 3FKR5 | SC5320 | -- | | |
| SCALE | | | SHEET | | |