

**RA SMP Female Connector Solder Attachment For .047 SR Cable**

RA SMP female connector with solder/solder attachment for .047 SR, part number SC5241, from Fairview Microwave is in-stock and ships same day. This SMP female connector operates up to a maximum frequency of 18 GHz and offers excellent VSWR of 1.25:1. This blind mate connector is ideal for applications without direct visual or tactile access to the connection point, for example, when two circuit boards need to be mated. Its right angle body geometry facilitates connections in tight spaces.

Fairview's RA SMP female connector SC5241 datasheet specifications and outline drawing are shown in this PDF below. Our extensive offering of RF, microwave and millimeter wave connectors allows designers to configure and customize their signal connections however they like. From providing an I/O for a board design to creating a custom cable assembly configuration, Fairview Microwave has a connector solution to meet your needs. Fairview Microwave also has the expertise to build your custom cable assemblies for you and ship them same-day.

**Electrical Specifications**

Description	Min	Typ	Max	Units
Frequency Range	DC		18	GHz
VSWR			1.25:1	

**Mechanical Specifications**

<b>Size</b>	
Length	0.231 in [5.87 mm]
Weight	0.002 lbs [0.91 g]

**Material Specifications**

Description	Material	Plating
Contact	Beryllium Copper	Gold MIL-G-45204
Insulation	PTFE	
Outer Conductor	Beryllium Copper	Gold MIL-G-45204

**Environmental Specifications**

<b>Temperature</b>	
Operating Range	-55 to +125 deg C

**Compliance Certifications** (see [product page](#) for current document)

**Plotted and Other Data**

Notes:



**Configuration:**

- SMP Female Connector
- MIL-STD-348
- 50 Ohms
- Right Angle Body Geometry
- .047 SR Interface Type
- Solder/Solder Attachment

**Features:**

- Operating Frequency of 18 GHz Max.
- Excellent VSWR of 1.25:1
- Blind Mate Connector
- Gold Plated Beryllium Copper Contact
- Contact plating according to MIL-G-45204

**Applications:**

- General Purpose Test
- Custom Cable Assemblies

Fairview Microwave  
 1130 Junction Dr. #100  
 Allen, TX 75013  
 Tel: 1-800-715-4396 / (972) 649-6678  
 Fax: (972) 649-6689  
[www.fairviewmicrowave.com](http://www.fairviewmicrowave.com)  
[sales@fairviewmicrowave.com](mailto:sales@fairviewmicrowave.com)

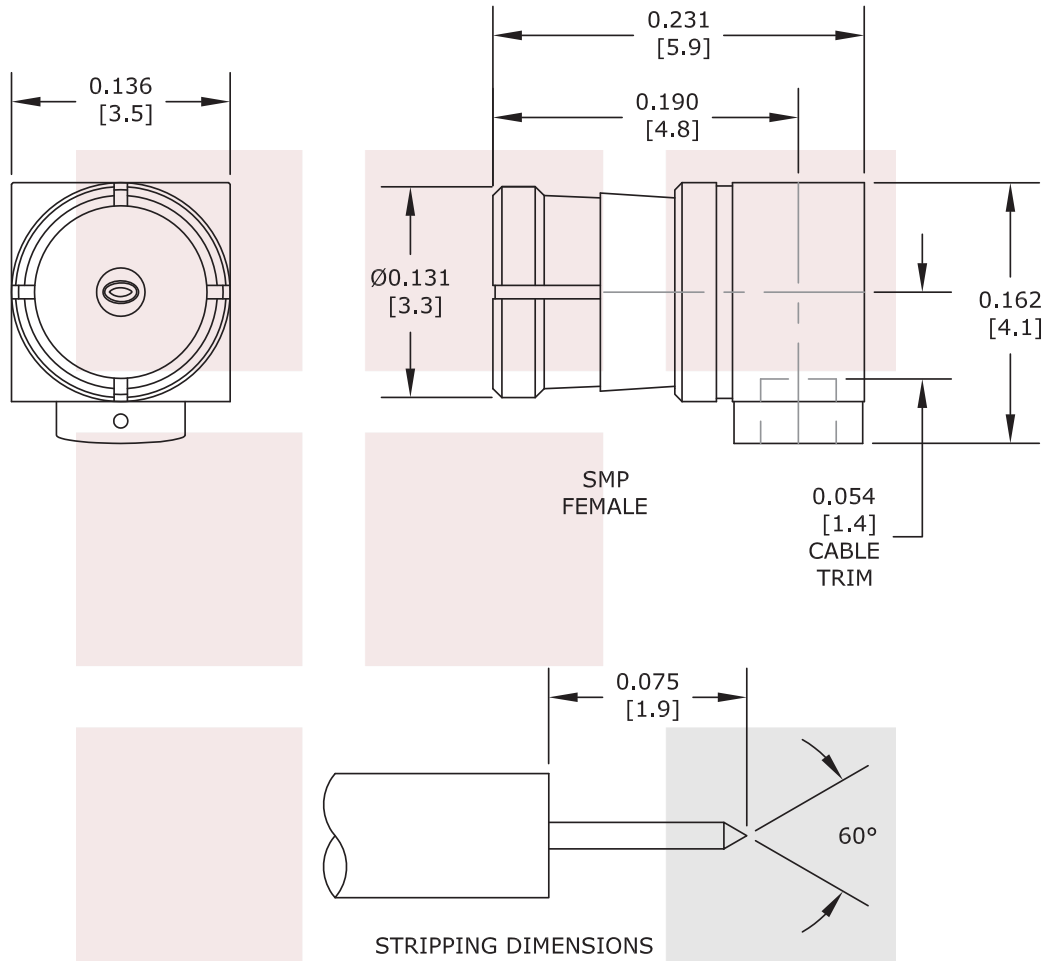
RA SMP Female Connector Solder Attachment For .047 SR Cable from Fairview Microwave is in-stock and available to ship same-day. All of our RF/microwave products are available off-the-shelf from our ISO 9001:2008 certified facilities in Allen, Texas. Fairview Microwave is RF on-demand.

For additional information on this product, please click the following link: [RA SMP Female Connector Solder Attachment For .047 SR Cable SC5241](#)

URL: <https://www.fairviewmicrowave.com/smp-female-standard-.047-sr-connector-sc5241-p.aspx>

The information contained in this document is accurate to the best of our knowledge and representative of the part described herein. It may be necessary to make modifications to the part and/or the documentation of the part, in order to implement improvements. Fairview Microwave reserves the right to make such changes as required. Unless otherwise stated, all specifications are nominal. Fairview Microwave does not make any representation or warranty regarding the suitability of the part described herein for any particular purpose, and Fairview Microwave does not assume any liability arising out of the use of any part or documentation.





STANDARD TOLERANCES	
.X	±0.2
.XX	±0.1
.XXX	±0.05

\*STANDARD TOLERANCES APPLY ONLY TO DIMENSIONS IN INCHES

<b>FAIRVIEW MICROWAVE INC.</b> ALLEN, TX 75013 WWW.FAIRVIEWMICROWAVE.COM		NOTES: 1. UNLESS OTHERWISE SPECIFIED ALL DIMENSIONS ARE NOMINAL. 2. ALL SPECIFICATIONS ARE SUBJECT TO CHANGE WITHOUT NOTICE AT ANY TIME. 3. DIMENSIONS ARE IN INCHES [mm].			
TITLE RA SMP Female Connector Solder Attachment For .047 SR Cable		DWG NO SC5241		CAGE CODE 3FKR5	
CAD FILE	112916	SHEET	SCALE	N/A	SIZE A 41742