

RA TNC Female Bulkhead Connector Crimp/Solder Attachment for LMR-200 Cable , .480 inch D Hole



SC4258

Configuration

- TNC Female Connector
- 50 Ohms
- Right Angle Body Geometry
- Connector Interface Types: LMR-200
- Bulkhead

Features

- Operating Frequency of 6 GHz Max.
- Gold Plated Brass Contact

Applications

- General Purpose Test
- Rack and Panel Mount Applications
- Custom Cable Assemblies

Description

RA TNC Female Bulkhead Standard Bulkhead Connector Crimp/Solder Attachment for LMR-200 Cable, part number SC4258, from Fairview Microwave is in-stock and ships same day. This TNC female connector operates up to a maximum frequency of 6 GHz. Its right angle body geometry facilitates connections in tight spaces. Fairview's SC4258 bulkhead TNC connector enables designers to make external connections on product enclosures, and can be used in a variety of other rack mount and panel mount applications.

Fairview's RA TNC female bulkhead connector SC4258 datasheet specifications and outline drawing are shown in this PDF below. Our extensive offering of RF, microwave and millimeter wave connectors allows designers to configure and customize their signal connections however they like. From providing an I/O for a board design to creating a custom cable assembly configuration, Fairview Microwave has a connector solution to meet your needs. Fairview Microwave also has the expertise to build your custom cable assemblies for you and ship them same-day.

Electrical Specifications

Description	Minimum	Typical	Maximum	Units
Frequency Range	DC		6	GHz
Dielectric Withstanding Voltage (AC)			500	Vrms
Impedance		50		Ohms

Performance by Frequency

Description	F1	F2	F3	F4	F5	Units
Frequency Range	DC to 6					GHz
VSWR, Max	1.35:1					

Mechanical Specifications

Size

- Length 1.44 in [36.58 mm]
- Width 0.7 in [17.78 mm]
- Height 1.338 in [33.99 mm]
- Weight 0.074 lbs [33.57 g]

RA TNC Female Bulkhead Connector Crimp/Solder Attachment for LMR-200 Cable , .480 inch D Hole



SC4258

Material Specifications

Description	Material	Plating
Contact	Brass	Gold
Insulation	PTFE	
Outer Conductor	Brass	Nickel
Body	Brass	Nickel
O-Ring	Silicon	

Environmental Specifications

Temperature	
Operating Range	-65 to +165 deg C

Compliance Certifications (see [product page](#) for current document)

Plotted and Other Data

Notes:

RA TNC Female Bulkhead Connector Crimp/Solder Attachment for LMR-200 Cable , .480 inch D Hole from Fairview Microwave is in-stock and available to ship same-day. All of our RF/microwave products are available off-the-shelf from our ISO 9001:2008 certified facilities in Lewisville, Texas. Fairview Microwave is RF on-demand.

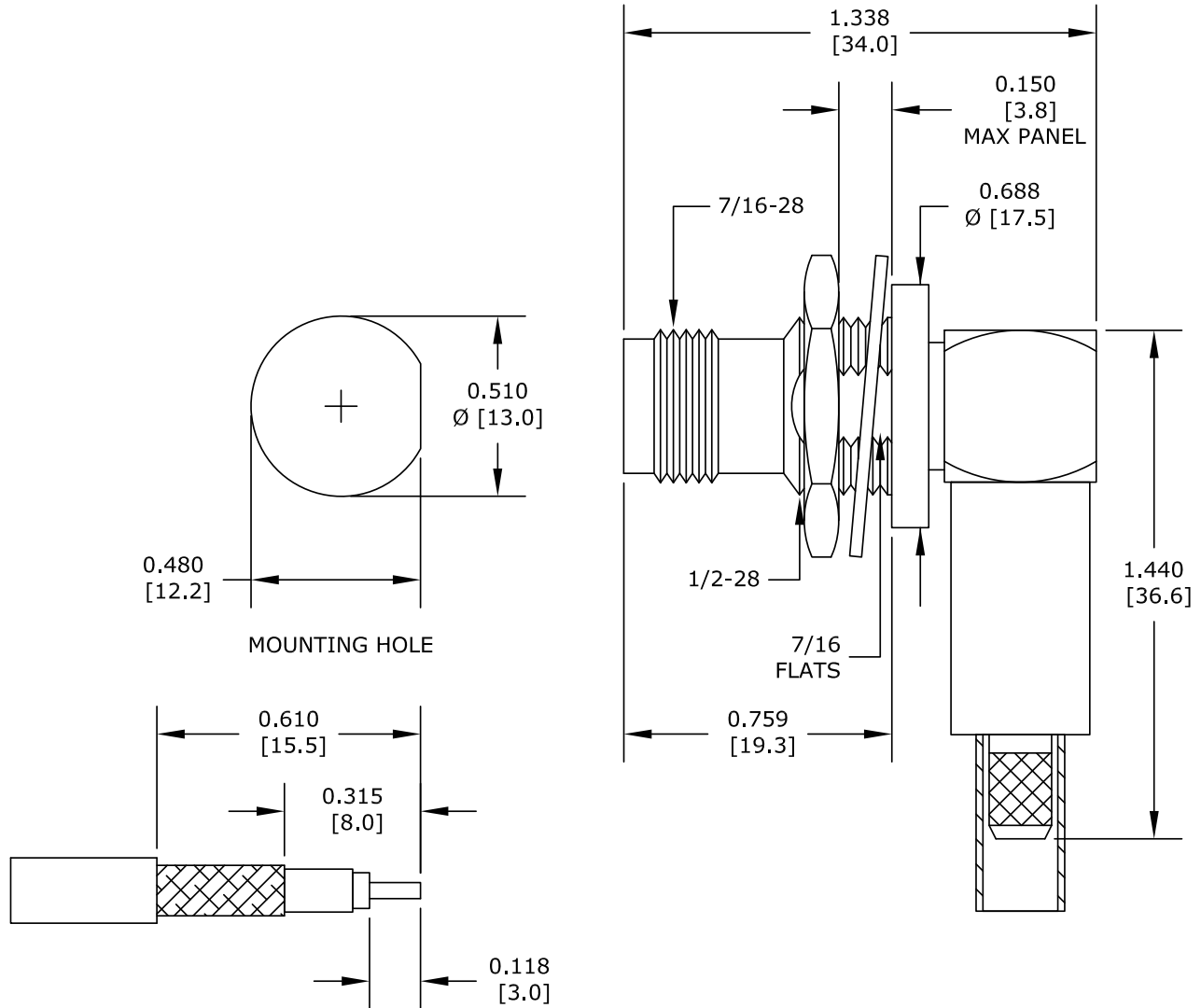
For additional information on this product, please click the following link: [RA TNC Female Bulkhead Connector Crimp/Solder Attachment for LMR-200 Cable , .480 inch D Hole SC4258](#)

URL: <https://www.fairviewmicrowave.com/tnc-female-lmr-200-connector-sc4258-p.aspx>

The information contained within this document is accurate to the best of our knowledge and representative of the part described herein. It may be necessary to make modifications to the part and/or the documentation of the part in order to implement improvements. Fairview Microwave reserves the right to make such changes as required. Unless otherwise stated, all specifications are nominal. Fairview Microwave does not make any representation or warranty regarding the suitability of the part described herein for any particular purpose, and Fairview Microwave does not assume liability arising out of the use of any part or document.

SC4258 CAD Drawing

RA TNC Female Bulkhead Connector Crimp/Solder Attachment for LMR-200 Cable , .480 inch D Hole



STRIPPING DIMENSIONS

ASSEMBLY PROCEDURES

1. STRIP CABLE AS SHOWN. SLIDE FERRULE OVER CABLE & CRIMP CONTACT TO CENTER CONDUCTOR.
2. INSTALL CABLE INTO BODY. PUSH CABLE FORWARD UNTIL CONTACT IS IN THE CORRECT POSITION.
3. SLIDE FERRULE OVER BRAID & CRIMP.

CRIMP SIZE REQUIRED

CONTACT: .068" HEX CRIMP TOOL
 FERRULE: .213" HEX CRIMP TOOL

STANDARD TOLERANCES

.X	±0.008
.XX	±0.004
.XXX	±0.002

*STANDARD TOLERANCES APPLY ONLY TO DIMENSIONS IN INCHES

FAIRVIEW MICROWAVE INC. ALLEN, TX 75013 WWW.FAIRVIEWMICROWAVE.COM		NOTES: 1. UNLESS OTHERWISE SPECIFIED ALL DIMENSIONS ARE NOMINAL. 2. ALL SPECIFICATIONS ARE SUBJECT TO CHANGE WITHOUT NOTICE AT ANY TIME. 3. DIMENSIONS ARE IN INCHES [mm].	
TITLE		DWG NO SC4258	CAGE CODE 3FKR5
CAD FILE	080814	SHEET	SCALE N/A SIZE A 2233