

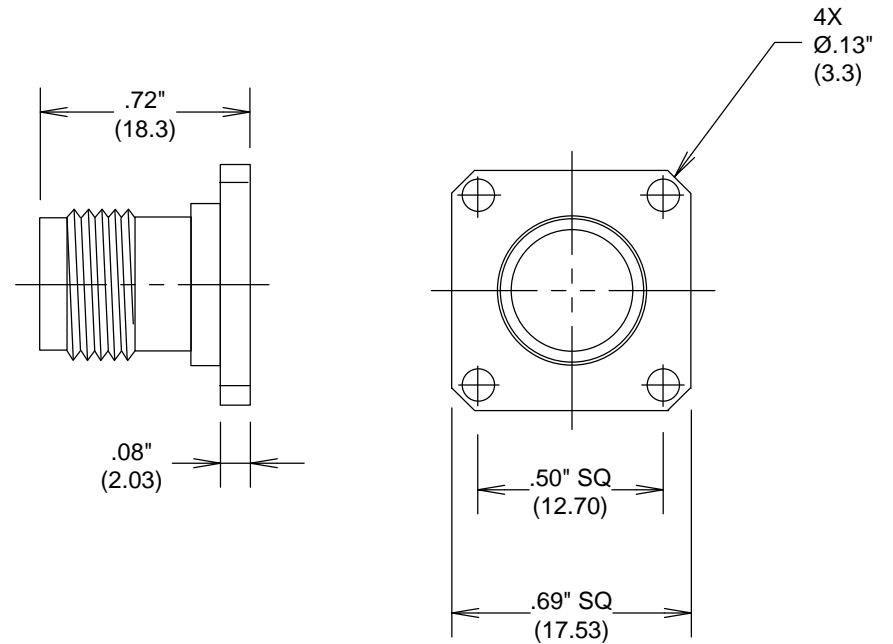
TNC JACK PANEL DUMMY

SC4221A

SPECIFICATIONS

MATERIALS BODY BRASS, NICKEL PLATED
INTERFACE: MIL-STD-348A

ROHS COMPLIANT



		FAIRVIEW MICROWAVE INC.		
		ALLEN, TX 75013 WWW.FAIRVIEWMICROWAVE.COM		
		TITLE		
		TNC JACK PANEL DUMMY		
ALL DIMENSIONS IN inches(MM) Typical	SIZE	CAGE CODE	DWG NO	REV
	A	3FKR5	SC4221A	--
	SCALE			SHEET