

**SMA Male Connector Solder Attachment For RG405,
 RG405 Tinned, .086 SR Cable**

SMA male connector with solder/solder attachment for RG405, RG405 Tinned and .086 SR, part number SC3018, from Fairview Microwave is in-stock and ships same day. This SMA male connector operates up to a maximum frequency of 18 GHz and offers excellent VSWR of 1.22:1.

Fairview's SMA male connector SC3018 datasheet specifications and outline drawing are shown in this PDF below. Our extensive offering of RF, microwave and millimeter wave connectors allows designers to configure and customize their signal connections however they like. From providing an I/O for a board design to creating a custom cable assembly configuration, Fairview Microwave has a connector solution to meet your needs. Fairview Microwave also has the expertise to build your custom cable assemblies for you and ship them same-day.

Electrical Specifications

Description	Min	Typ	Max	Units
Frequency Range	DC		18	GHz
VSWR			1.22:1	
Operating Voltage (AC)			335	Vrms

Mechanical Specifications

Size	
Length	0.335 in [8.51 mm]
Width/Dia.	0.315 in [8.00 mm]
Height	0.315 in [8 mm]
Weight	0.0075 lbs [3.4 g]

Material Specifications

Description	Material	Plating
Contact	Brass	Gold 50 µin minimum
Insulation	PTFE	
Body	Brass	Gold 3 µin minimum
Coupling Nut	Brass	Nickel 100 µin minimum

Environmental Specifications

Temperature	
Operating Range	-65 to +165 deg C

Compliance Certifications (see [product page](#) for current document)

Plotted and Other Data

Notes:



Configuration:

- SMA Male Connector
- MIL-STD-348A
- 50 Ohms
- Straight Body Geometry
- RG405, RG405 Tinned, .086 SR Interface Type
- Solder/Solder Attachment
- 5/16 inch Hex

Features:

- Operating Frequency of 18 GHz Max.
- Excellent VSWR of 1.22:1
- Gold Plated Brass Contact
- 50 µin minimum contact plating

Applications:

- General Purpose Test
- Custom Cable Assemblies

Fairview Microwave
 1130 Junction Dr. #100
 Allen, TX 75013
 Tel: 1-800-715-4396 / (972) 649-6678
 Fax: (972) 649-6689
www.fairviewmicrowave.com
sales@fairviewmicrowave.com

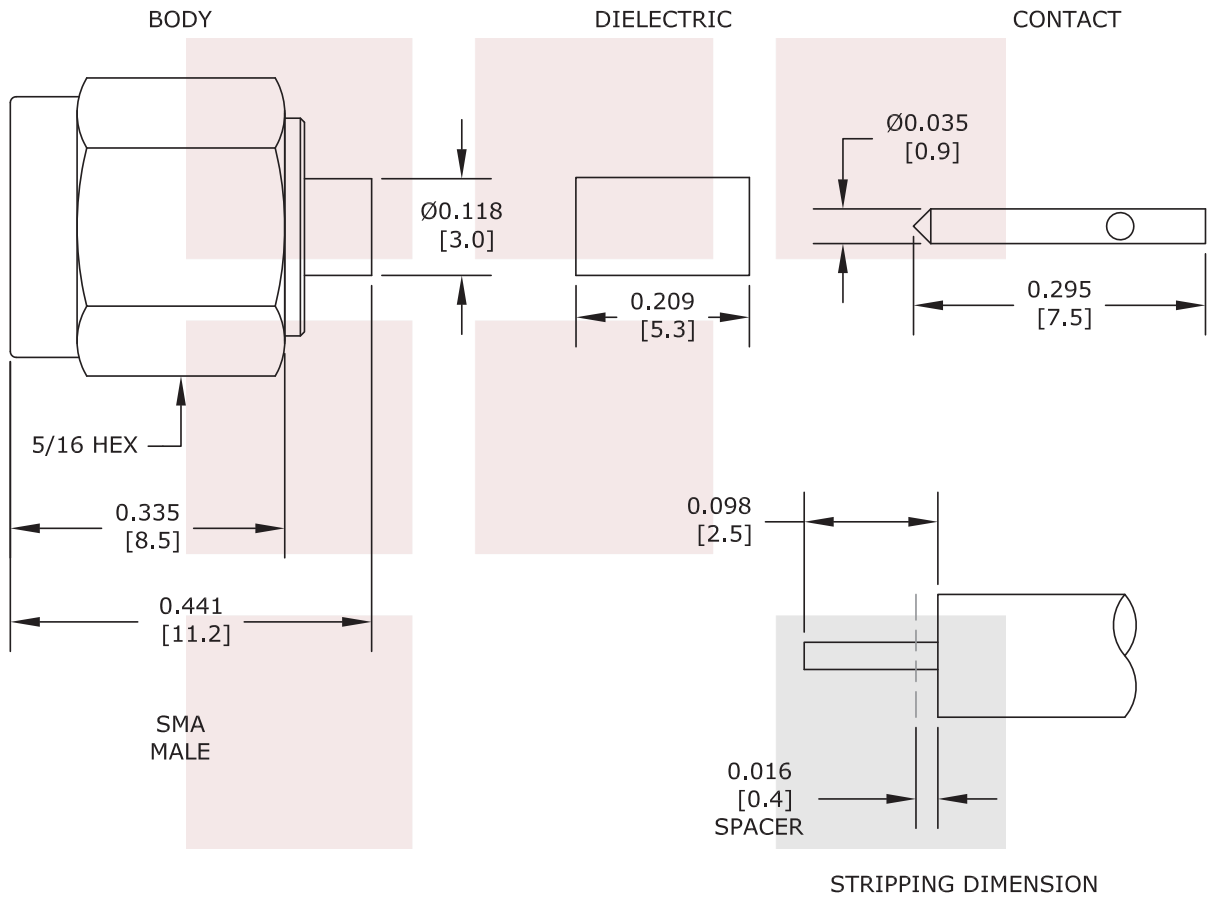
SMA Male Connector Solder Attachment For RG405, RG405 Tinned, .086 SR Cable from Fairview Microwave is in-stock and available to ship same-day. All of our RF/microwave products are available off-the-shelf from our ISO 9001:2008 certified facilities in Allen, Texas. Fairview Microwave is RF on-demand.

For additional information on this product, please click the following link: [SMA Male Connector Solder Attachment For RG405, RG405 Tinned, .086 SR Cable SC3018](#)

URL: <https://www.fairviewmicrowave.com/sma-male-rg405-connector-sc3018-p.aspx>

The information contained in this document is accurate to the best of our knowledge and representative of the part described herein. It may be necessary to make modifications to the part and/or the documentation of the part, in order to implement improvements. Fairview Microwave reserves the right to make such changes as required. Unless otherwise stated, all specifications are nominal. Fairview Microwave does not make any representation or warranty regarding the suitability of the part described herein for any particular purpose, and Fairview Microwave does not assume any liability arising out of the use of any part or documentation.





STANDARD TOLERANCES	
.X	±0.2
.XX	±0.1
.XXX	±0.05

*STANDARD TOLERANCES APPLY ONLY TO DIMENSIONS IN INCHES

FAIRVIEW MICROWAVE INC. ALLEN, TX 75013 WWW.FAIRVIEWMICROWAVE.COM		NOTES: 1. UNLESS OTHERWISE SPECIFIED ALL DIMENSIONS ARE NOMINAL. 2. ALL SPECIFICATIONS ARE SUBJECT TO CHANGE WITHOUT NOTICE AT ANY TIME. 3. DIMENSIONS ARE IN INCHES [mm].		
TITLE SMA Male Connector Solder Attachment For RG405, RG405 Tinned, .086 SR Cable		DWG NO SC3018	CAGE CODE 3FKR5	
CAD FILE	120116	SHEET	SCALE	N/A
			SIZE	A
				41742