

# TNC MALE OPEN 14 GHZ

SC2182

## SPECIFICATIONS

### ELECTRICAL

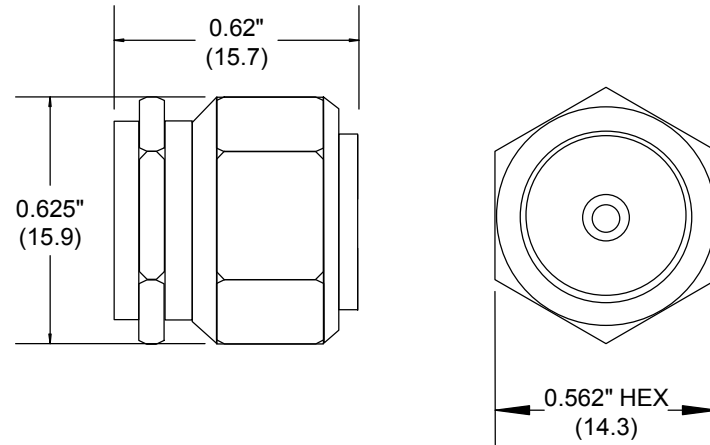
FREQUENCY: 0-14GHZ

### MECHANICAL

MATERIALS BODY: NI PLATED BRASS  
INTERFACE: MIL-STD-348A

TEMPERATURE RANGE: -55°C to +110°C

ROHS COMPLIANT



**FAIRVIEW MICROWAVE INC.**

ALLEN, TX 75013 WWW.FAIRVIEWMICROWAVE.COM

TITLE

**TNC MALE OPEN 14 GHZ**

SIZE	CAGE CODE	DWG NO	REV
<b>A</b>	<b>3FKR5</b>	<b>SC2182</b>	--
SCALE		SHEET	

ALL DIMENSIONS IN inches(MM) Typical