

## SMA Male Open Circuit Connector Cap

### Mechanical Specifications

#### Configuration

Connector	SMA Male Non-Shorting
Hex Size	5/16
Torque	8 in-lbs [0.9 Nm]

Description	Material	Plating
Body	Passivated Stainless Steel	
Coupling Nut	Passivated Stainless Steel	
<b>Size</b>		
Length	0.335 in [8.51 mm]	
Width	0.312 in [7.92 mm]	
Weight	0.0085 lbs [3.86 g]	

### Environmental Specifications

#### Temperature

Operating Range	-65 to +165 deg C
-----------------	-------------------

**Compliance Certifications** (see [product page](#) for current document)

### Plotted and Other Data

Notes:

SMA Male Open Circuit Connector Cap from Fairview Microwave is in-stock and available to ship same-day. All of our RF/microwave products are available off-the-shelf from our ISO 9001:2008 certified facilities in Allen, Texas. Fairview Microwave is RF on-demand.

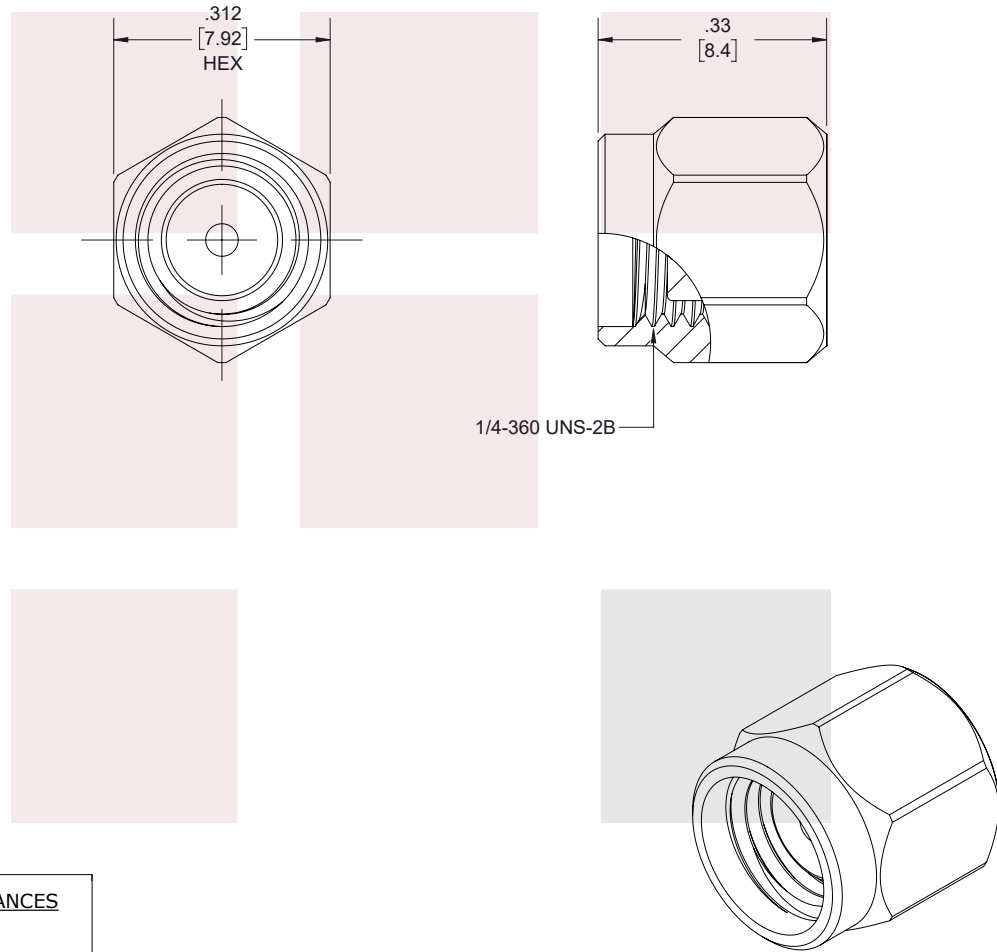
For additional information on this product, please click the following link: [SMA Male Open Circuit Connector Cap SC2166](#)

URL: <https://www.fairviewmicrowave.com/sma-male-open-circuit-connector-cap-18-ghz-sc2166-p.aspx>

The information contained in this document is accurate to the best of our knowledge and representative of the part described herein. It may be necessary to make modifications to the part and/or the documentation of the part, in order to implement improvements. Fairview Microwave reserves the right to make such changes as required. Unless otherwise stated, all specifications are nominal. Fairview Microwave does not make any representation or warranty regarding the suitability of the part described herein for any particular purpose, and Fairview Microwave does not assume any liability arising out of the use of any part or documentation.



Fairview Microwave  
 301 Leora Ln., Suite 100  
 Lewisville, TX 75056  
 Tel: 1-800-715-4396 / (972) 649-6678  
 Fax: (972) 649-6689  
[www.fairviewmicrowave.com](http://www.fairviewmicrowave.com)  
[sales@fairviewmicrowave.com](mailto:sales@fairviewmicrowave.com)



STANDARD TOLERANCES	
.X	±0.2
.XX	±0.01
.XXX	±0.005

\*STANDARD TOLERANCES APPLY ONLY TO DIMENSIONS IN INCHES

<b>FAIRVIEW MICROWAVE INC.</b> ALLEN, TX 75013 WWW.FAIRVIEWMICROWAVE.COM		NOTES: 1. UNLESS OTHERWISE SPECIFIED ALL DIMENSIONS ARE NOMINAL. 2. ALL SPECIFICATIONS ARE SUBJECT TO CHANGE WITHOUT NOTICE AT ANY TIME. 3. DIMENSIONS ARE IN INCHES [mm].				
TITLE SMA Male Open Circuit Connector Cap		DWG NO SC2166		CAGE CODE 3FKR5		
CAD FILE	022318	SHEET	1 OF 1	SCALE	N/A	SIZE A 7361