

1.5 to 30 dB Step Attenuator with a
1 dB Step SMA Female Interface Rated Up to
3 GHz and Up to 2 Watts in a Dial Design



SA3730SMA

Electrical Specifications

Description	Minimum	Typical	Maximum	Units
Frequency Range	DC		3	GHz
Impedance		50		Ohms
Insertion Loss			1.5	dB
Attenuation Value		1.5 to 30		dB
Step Size		1		dB
Step Type		Dial		
Input Power (CW)			2	Watts
Input Power, Peak			100	Watts
VSWR			1.4:1	

Specifications by Frequency

Description	F1	F2	F3	F4	F5	Units
Range	DC to 1	1 to 2	2 to 3			GHz
Insertion Loss	0.6	1	1.5			dB
VSWR	1.3:1	1.4:1	1.5:1			

Mechanical Specifications

Size

Length	4.86 in [123.44 mm]
Width	0 in [0 mm]
Height	2.72 in [69.09 mm]
Weight	0.8965 lbs [406.65 g]

Connectors

Description	Connector 1	Connector 2
Type	SMA Female	SMA Female

Environmental Specifications

Temperature

Operating Range	-20 to 85 deg C
-----------------	-----------------

Compliance Certifications (see [product page](#) for current document)

Plotted and Other Data

Notes:

1.5 to 30 dB Step Attenuator with a
1 dB Step SMA Female Interface Rated Up to
3 GHz and Up to 2 Watts in a Dial Design



SA3730SMA

1.5 to 30 dB Step Attenuator with a 1 dB Step SMA Female Interface Rated Up to 3 GHz and Up to 2 Watts in a Dial Design from Fairview Microwave is in-stock and available to ship same-day. All of our RF/microwave products are available off-the-shelf from our ISO 9001:2008 certified facilities in Lewisville, Texas. Fairview Microwave is RF on-demand.

For additional information on this product, please click the following link: [1.5 to 30 dB Step Attenuator with a 1 dB Step SMA Female Interface Rated Up to 3 GHz and Up to 2 Watts in a Dial Design SA3730SMA](#)

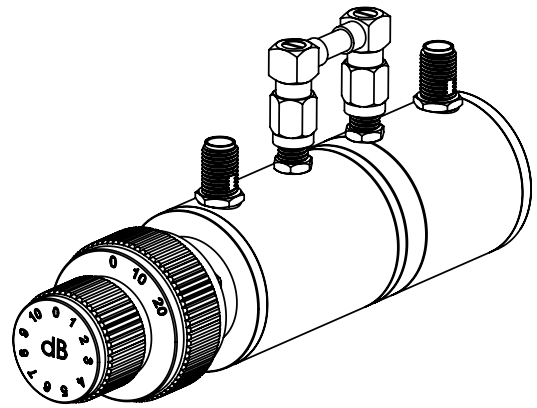
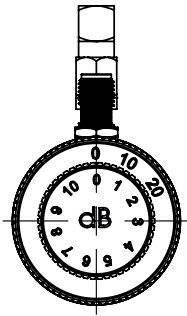
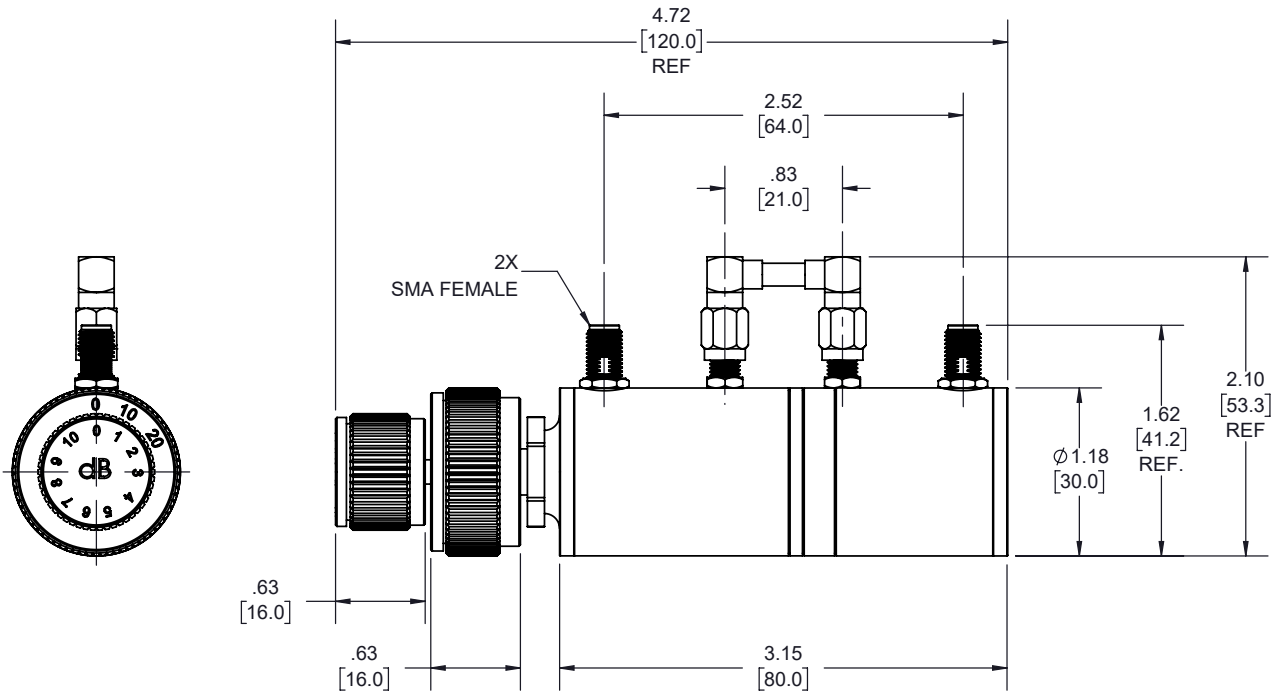
URL: <https://www.fairviewmicrowave.com/30db-step-attenuator-1db-sma-female-dc-3-ghz-2-watts-sa3730sma-p.aspx>

The information contained within this document is accurate to the best of our knowledge and representative of the part described herein. It may be necessary to make modifications to the part and/or the documentation of the part in order to implement improvements. Fairview Microwave reserves the right to make such changes as required. Unless otherwise stated, all specifications are nominal. Fairview Microwave does not make any representation or warranty regarding the suitability of the part described herein for any particular purpose, and Fairview Microwave does not assume liability arising out of the use of any part or document.

SA3730SMA CAD Drawing

1.5 to 30 dB Step Attenuator with a 1 dB Step SMA Female Interface
 Rated Up to 3 GHz and Up to 2 Watts in a Dial Design

REVISIONS			
REV.	DESCRIPTION	DATE	APPROVED
B	PCR SA3730SMA	12/10/2020	S.PONG



LABEL:

SA3730SMA
 SN: XXXXXXXX
 ROTARY 30dB, 1dB STEP
 SMA-F S STEEL SMA 3GHz, 2W

THESE COMMODITIES, TECHNOLOGY OR SOFTWARE WERE EXPORTED FROM THE UNITED STATES IN ACCORDANCE WITH THE EXPORT ADMINISTRATION REGULATIONS. DIVERSION CONTRARY TO U.S. LAW PROHIBITED.



TITLE

UNLESS OTHERWISE SPECIFIED LEADING DIMENSIONS ARE INCHES
 DIMENSIONS IN [] ARE MILLIMETERS

TOLERANCES: CABLE LENGTH (L) TOLERANCES:

.X = ±.2 [5.08] FRACTIONS ± 1/32
 .XX = ±.02 [.51] ± 1/32
 .XXX = ±.005 [.13] ANGLES ± 1°
 L ≤ 12 [305] = +1 [25] / -0
 12 [305] < L ≤ 60 [1524] = +2 [51] / -0
 60 [1524] < L ≤ 120 [3048] = +4 [102] / -0
 120 [3048] < L ≤ 300 [7620] = +6 [152] / -0
 300 [7620] < L = +5%L / -0

THIRD-ANGLE PROJECTION



THE INFORMATION AND DESIGN IN THIS DOCUMENT IS THE PROPERTY OF FAIRVIEW MICROWAVE CORPORATION. ALL RIGHTS RESERVED.

SHEET 1 OF 1

ALL DIMENSIONS SHOWN ARE FOR REFERENCE ONLY.

SCALE N/A

SIZE A	CAGE CODE 3FKR5	DRAWN BY K.Dang	ITEM NO. SA3730SMA	REV A
-----------	--------------------	--------------------	-----------------------	----------

T-Rev.D