

0 to 100 dB Step Attenuator with a
1 dB Step SMA Female Interface Rated Up to
3 GHz and Up to 2 Watts in a Dial Design



SA37100SMA

Features

- DC to 3 GHz Frequency Range
- 1 dB steps from 0 to 100 dB Attenuation
- Rotary Dial Control
- SMA Female Connectors
- -20°C to + 85°C Operating Temperature
- ± 1.5 dB Attenuation Accuracy Max

Applications

- Instrumentation
- Precision Measurements
- Prototyping and Characterization
- Production Systems

Electrical Specifications

Description	Minimum	Typical	Maximum	Units
Frequency Range	DC		3	GHz
Impedance		50		Ohms
Insertion Loss			1.5	dB
Attenuation Value		0 to 100		dB
Step Size		1		dB
Step Type		Dial		
Input Power (CW)			2	Watts
Input Power, Peak			100	Watts
VSWR			1.5:1	

Specifications by Frequency

Description	F1	F2	F3	F4	F5	Units
Range	DC to 3					GHz
Attenuation Accuracy	1.5					dB

Mechanical Specifications

Size

Length	4.72 in [119.89 mm]
Width	1.18 in [29.97 mm]
Height	2.1 in [53.34 mm]
Weight	0.9048 lbs [410.41 g]

Connectors

Description	Connector 1	Connector 2
Type	SMA Female	SMA Female

Environmental Specifications

Temperature

Operating Range	-20 to 85 deg C
-----------------	-----------------

0 to 100 dB Step Attenuator with a
1 dB Step SMA Female Interface Rated Up to
3 GHz and Up to 2 Watts in a Dial Design



SA37100SMA

Compliance Certifications (see [product page](#) for current document)

Plotted and Other Data

Notes:

0 to 100 dB Step Attenuator with a 1 dB Step SMA Female Interface Rated Up to 3 GHz and Up to 2 Watts in a Dial Design from Fairview Microwave is in-stock and available to ship same-day. All of our RF/microwave products are available off-the-shelf from our ISO 9001:2008 certified facilities in Lewisville, Texas. Fairview Microwave is RF on-demand.

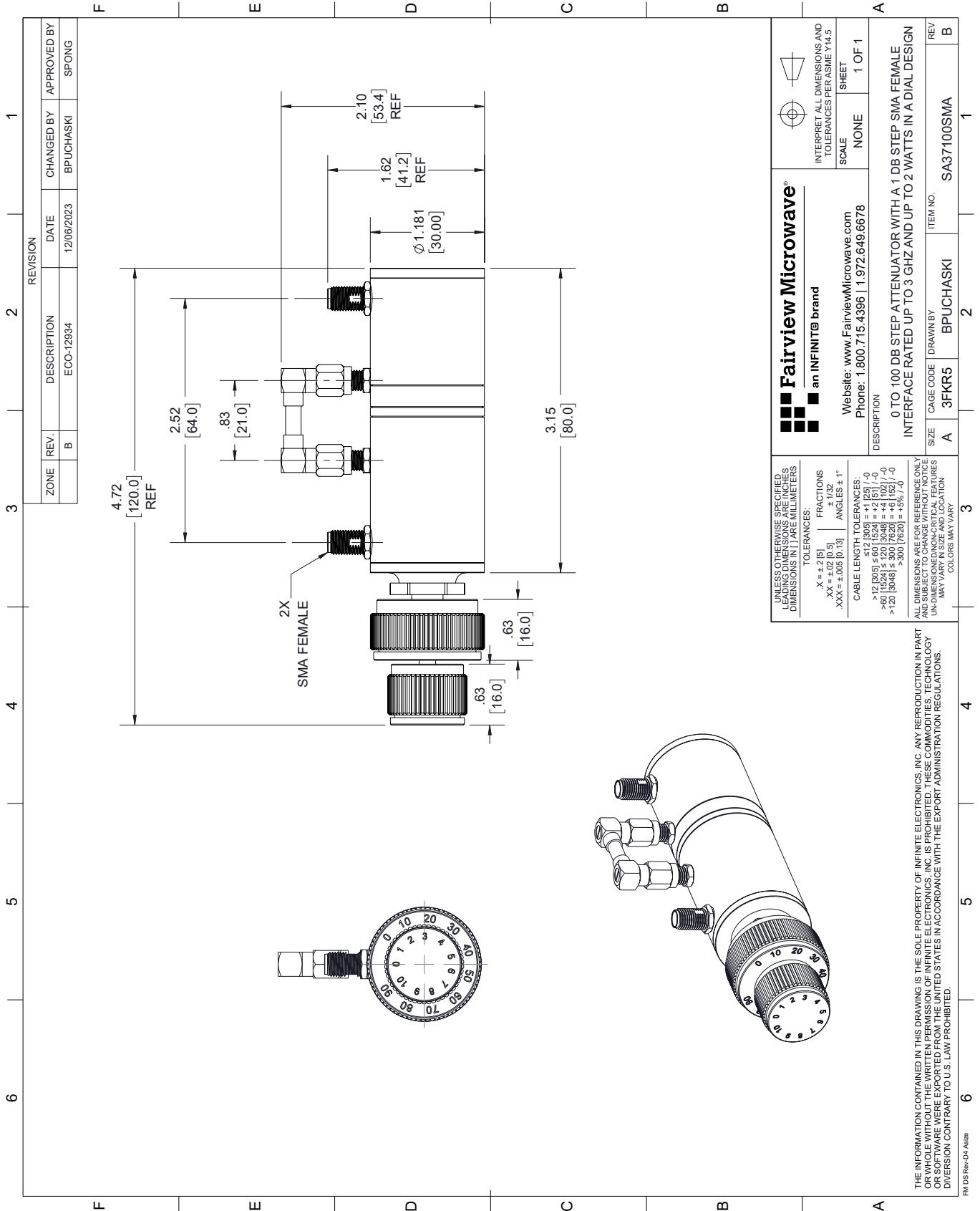
For additional information on this product, please click the following link: [0 to 100 dB Step Attenuator with a 1 dB Step SMA Female Interface Rated Up to 3 GHz and Up to 2 Watts in a Dial Design SA37100SMA](#)

URL: <https://www.fairviewmicrowave.com/100db-step-attenuator-1db-sma-female-dc-3-ghz-2-watts-sa37100sma-p.aspx>

The information contained within this document is accurate to the best of our knowledge and representative of the part described herein. It may be necessary to make modifications to the part and/or the documentation of the part in order to implement improvements. Fairview Microwave reserves the right to make such changes as required. Unless otherwise stated, all specifications are nominal. Fairview Microwave does not make any representation or warranty regarding the suitability of the part described herein for any particular purpose, and Fairview Microwave does not assume liability arising out of the use of any part or document.

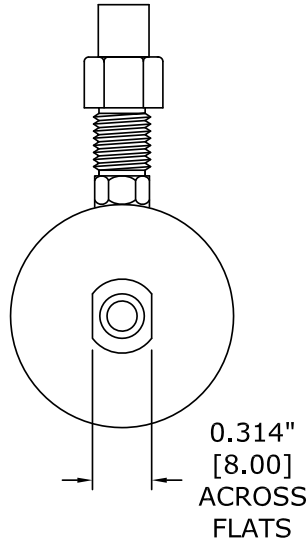
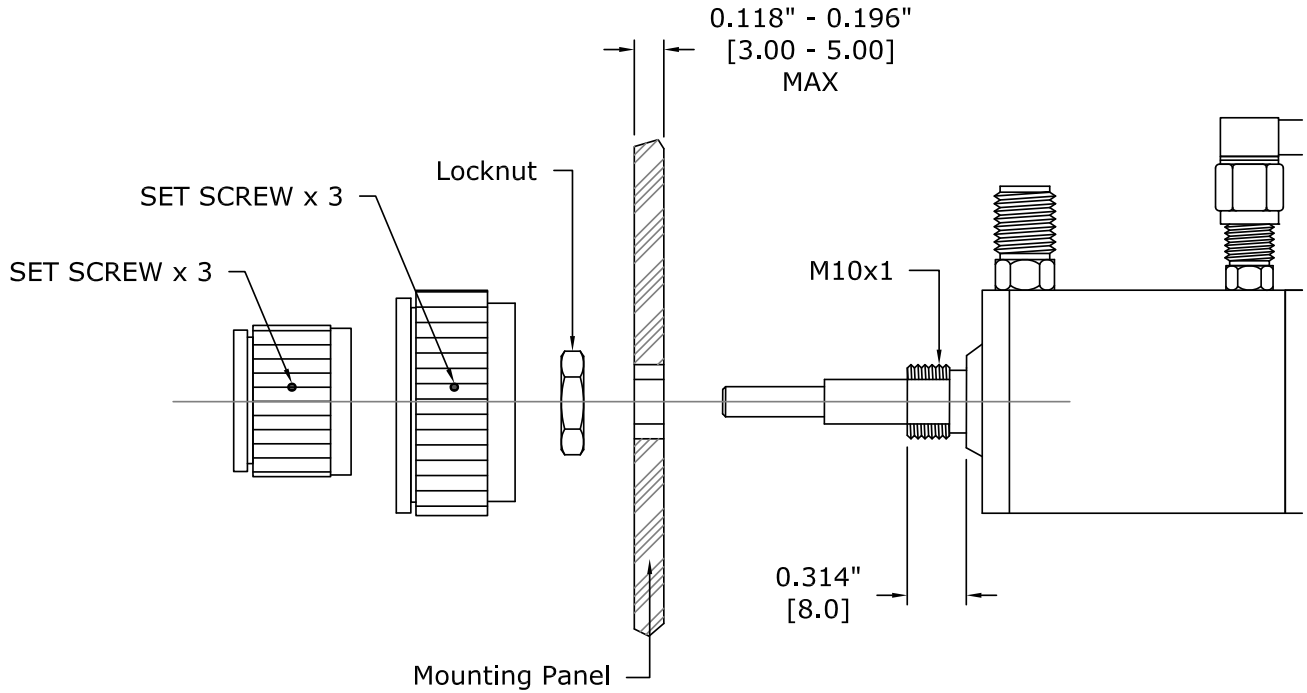
SA37100SMA CAD Drawing

0 to 100 dB Step Attenuator with a 1 dB Step SMA Female Interface
 Rated Up to 3 GHz and Up to 2 Watts in a Dial Design



SA37100SMA CAD Drawing

0 to 100 dB Step Attenuator with a 1 dB Step SMA Female Interface
 Rated Up to 3 GHz and Up to 2 Watts in a Dial Design



STANDARD TOLERANCES	
.X	±0.2
.XX	±0.1
.XXX	±0.05

*STANDARD TOLERANCES APPLY ONLY TO DIMENSIONS IN INCHES

FAIRVIEW MICROWAVE INC.		NOTES: 1. UNLESS OTHERWISE SPECIFIED ALL DIMENSIONS ARE NOMINAL. 2. ALL SPECIFICATIONS ARE SUBJECT TO CHANGE WITHOUT NOTICE AT ANY TIME. 3. DIMENSIONS ARE IN INCHES [mm].			
ALLEN, TX 75013 WWW.FAIRVIEWMICROWAVE.COM		DWG NO SA37100SMA		CAGE CODE 3FKR5	
TITLE		CAD FILE	SHEET	SCALE	SIZE
		051817		N/A	A 2233