

0 to 11 dB Step Attenuator With a 1 dB Step N Female Connectors Rated Up To 2.7 GHz and Up to 2 Watts in a Dial Design



SA1101N

Electrical Specifications

Description	Minimum	Typical	Maximum	Units
Frequency Range	DC		2.7	GHz
Impedance		50		Ohms
Insertion Loss			1	dB
Attenuation Value		0 to 11		dB
Step Size		1		dB
Step Type		Dial		
Input Power (CW)			2	Watts
Input Power, Peak			2	Watts

Specifications by Frequency

Description	F1	F2	F3	F4	F5	Units
Range	DC to 2.7					GHz
Attenuation Accuracy	1.5					dB
Maximum Input Power	2					Watts

Mechanical Specifications

Size

Length	1.73 in [43.94 mm]
Width	1.9 in [48.26 mm]
Height	0.87 in [22.1 mm]
Weight	0.3585 lbs [162.61 g]
Body Material and Plating	Aluminum, Nickel

Connectors

Description	Connector 1	Connector 2
Type	N Female	N Female
Body Material and Plating	Brass	Brass

Environmental Specifications

Temperature

Operating Range	-40 to 85 deg C
-----------------	-----------------

Compliance Certifications (see [product page](#) for current document)

Plotted and Other Data

Notes:

0 to 11 dB Step Attenuator With a 1 dB Step N Female Connectors Rated Up To 2.7 GHz and Up to 2 Watts in a Dial Design



SA1101N

0 to 11 dB Step Attenuator With a 1 dB Step N Female Connectors Rated Up To 2.7 GHz and Up to 2 Watts in a Dial Design from Fairview Microwave is in-stock and available to ship same-day. All of our RF/microwave products are available off-the-shelf from our ISO 9001:2008 certified facilities in Lewisville, Texas. Fairview Microwave is RF on-demand.

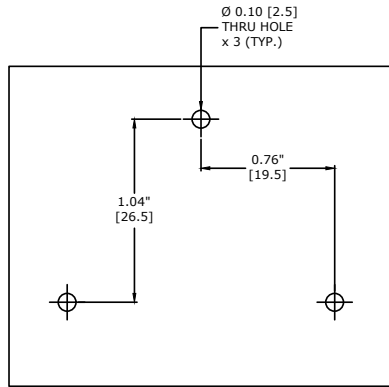
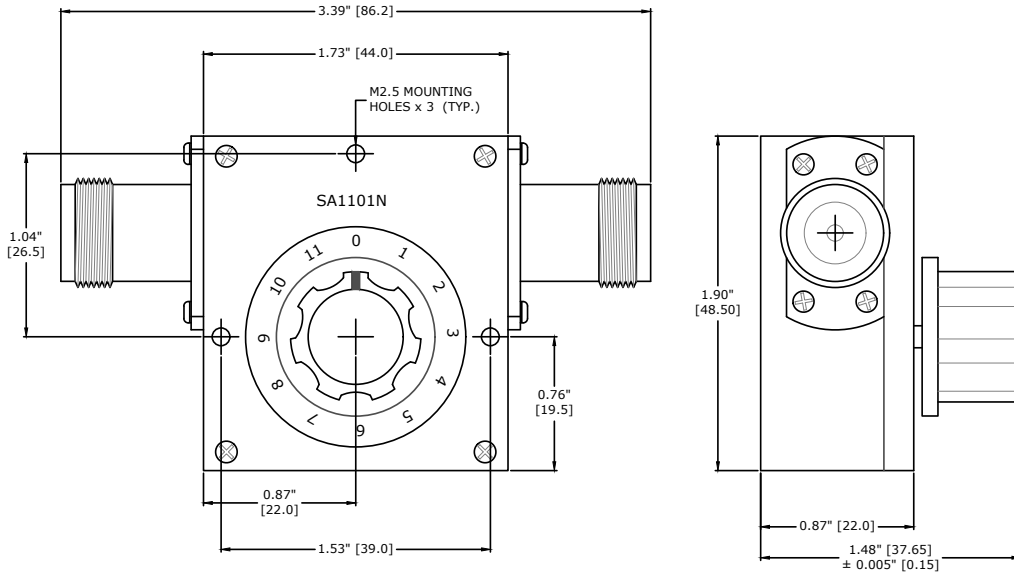
For additional information on this product, please click the following link: [0 to 11 dB Step Attenuator With a 1 dB Step N Female Connectors Rated Up To 2.7 GHz and Up to 2 Watts in a Dial Design SA1101N](https://www.fairviewmicrowave.com/11db-step-attenuator-1db-n-female-dc-2.7-ghz-2-watts-sa1101n-p.aspx)

URL: <https://www.fairviewmicrowave.com/11db-step-attenuator-1db-n-female-dc-2.7-ghz-2-watts-sa1101n-p.aspx>

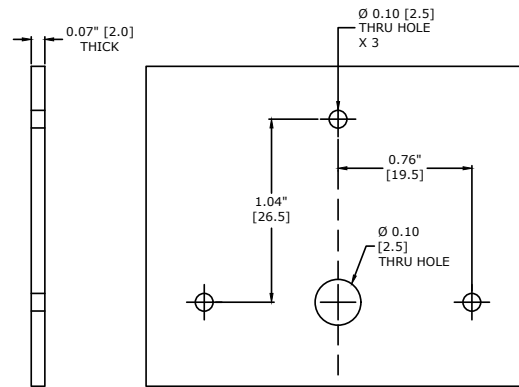
The information contained within this document is accurate to the best of our knowledge and representative of the part described herein. It may be necessary to make modifications to the part and/or the documentation of the part in order to implement improvements. Fairview Microwave reserves the right to make such changes as required. Unless otherwise stated, all specifications are nominal. Fairview Microwave does not make any representation or warranty regarding the suitability of the part described herein for any particular purpose, and Fairview Microwave does not assume liability arising out of the use of any part or document.

SA1101N CAD Drawing

0 to 11 dB Step Attenuator With a 1 dB Step N Female Connectors Rated Up To 2.7 GHz and Up to 2 Watts in a Dial Design



MOUNTING HOLES
FIGURE 1



MOUNTING HOLES
FIGURE 2

FAIRVIEW MICROWAVE INC. ALLEN, TX 75013 WWW.FAIRVIEWMICROWAVE.COM		NOTES: 1. UNLESS OTHERWISE SPECIFIED ALL DIMENSIONS ARE NOMINAL. 2. ALL SPECIFICATIONS ARE SUBJECT TO CHANGE WITHOUT NOTICE AT ANY TIME. 3. DIMENSIONS ARE IN INCHES [mm].			
TITLE	DWG NO	SA1101N		CAGE CODE	3FKR5
	CAD FILE	101915	SHEET	SCALE	N/A SIZE A 5568