

SMA F'S RESISTIVE POWER DIVIDER 4 GHZ

MPR04-2

SPECIFICATIONS

ELECTRICAL

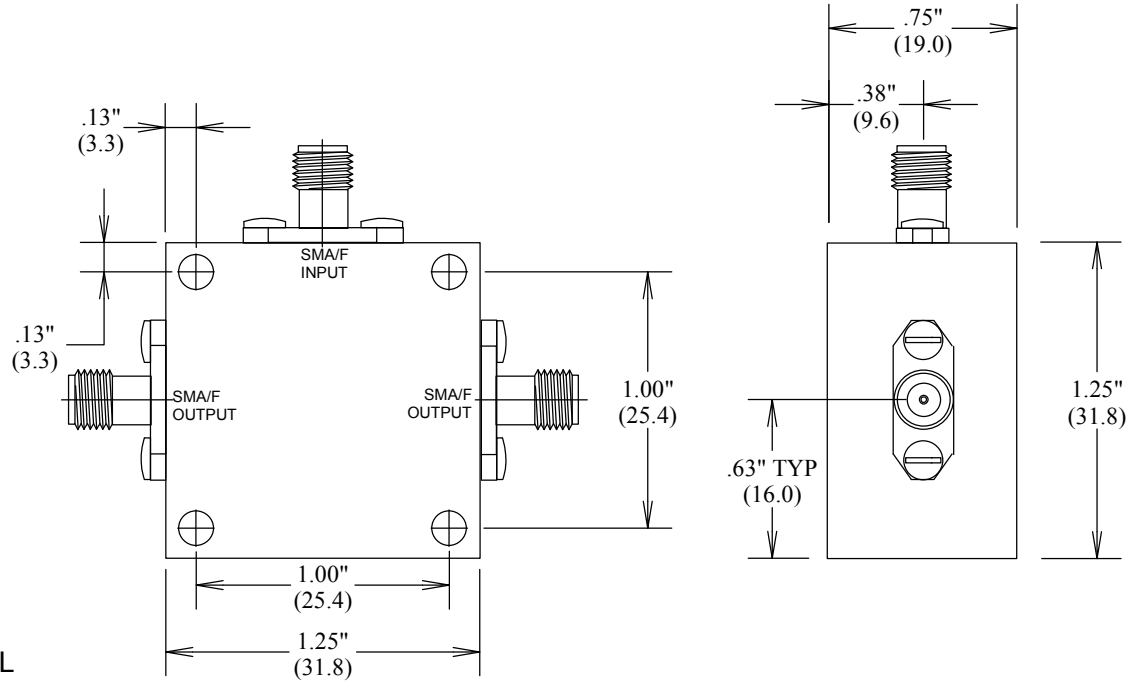
FREQUENCY: DC - 4 GHZ
 IMPEDANCE: 50 OHMS
 VSWR: 1.4:1 MAX
 INSERTION LOSS: 6.5 DB MAX
 INPUT POWER(MAX) : 1 WATT
 AMPLITUDE BALANCE(MAX): 0.4 DB
 PHASE BALANCE(MAX): 3°

MECHANICAL

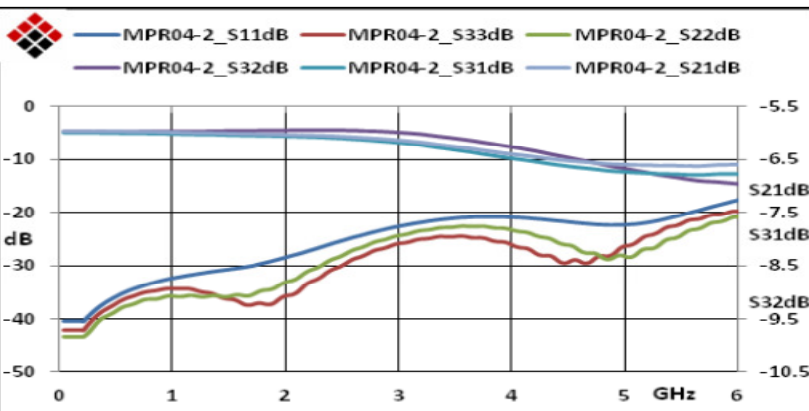
MATERIAL CONNECTORS: PASSIVATED STAINLESS STEEL
 MATERIAL CONTACTS: Au PLATED BeCu

OPERATING TEMPERATURE: -25°C TO +80°C

ROHS COMPLIANT



MEASUREMENTS BELOW ARE TYPICAL



ALL DIMENSIONS IN inches(MM) Typical

FAIRVIEW MICROWAVE INC.

ALLEN, TX 75013 WWW.FAIRVIEWMICROWAVE.COM

TITLE

SMA F'S RESISTIVE POWER DIVIDER 4 GHZ

SIZE A	CAGE CODE 3FKR5	DWG NO MPR04-2	REV A
------------------	---------------------------	--------------------------	-----------------

SCALE

SHEET