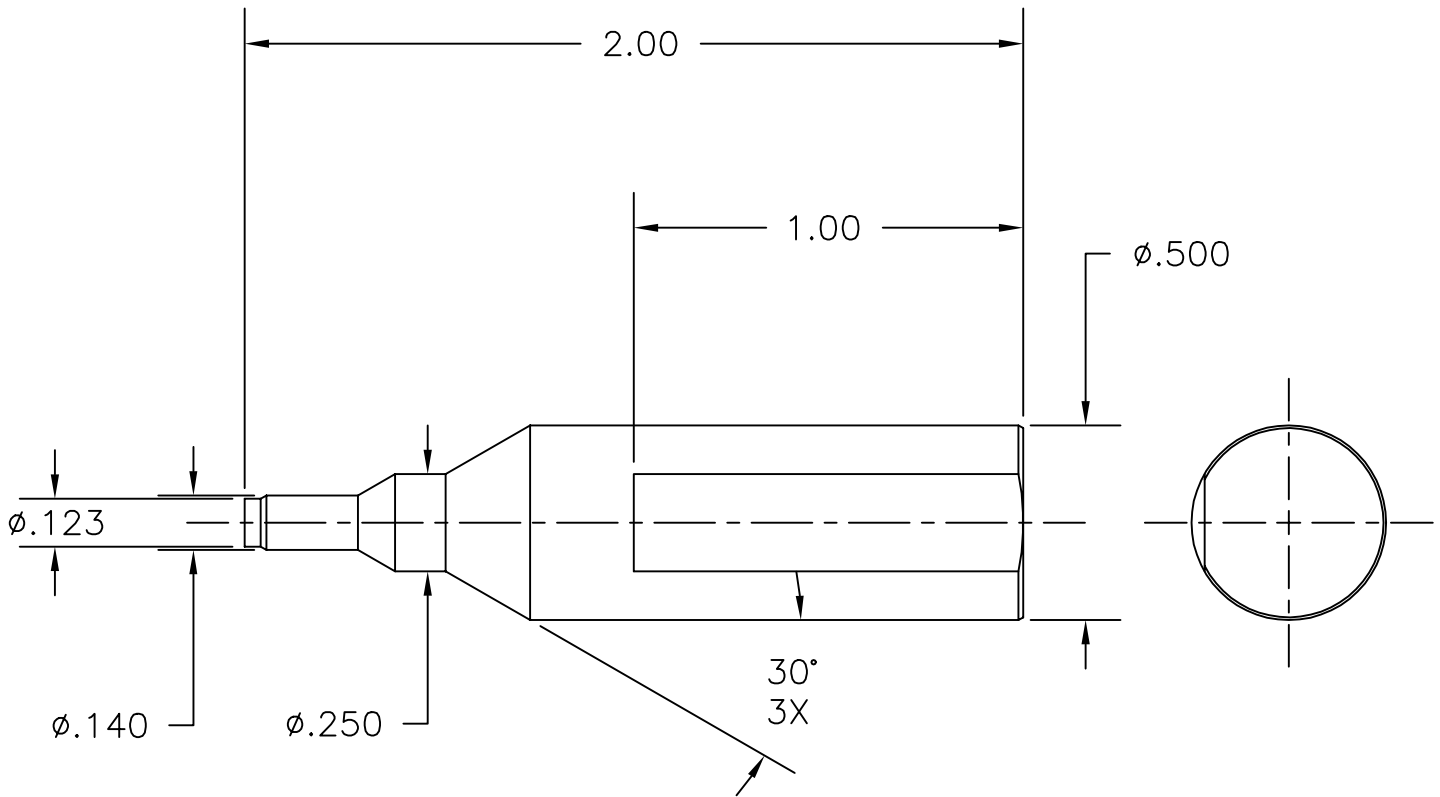


COMPONENT	MATERIAL AND FINISH
PUNCH	01 TOOL STEEL

PART NO. MMTL-6205



OUTLINE DRAWING



MICRO-MODE PRODUCTS, INC.  
*The Reliable Connection to the Future*

El Cajon, CA 92020 Peoria, AZ 85345  
 (619) 449-3844 (602) 334-8944

CAGE CODE  
 15907

ASSY PROCEDURES:	PUNCH TOOL, SMOOTH BORE PRESS-IN SHROUDS	PART NO. MMTL-6205	REVISION
TOOL:			—
SHEET 1 OF 1	OL6205 9-25-98 PC EB		