

10 MHz Free Running Reference Oscillator, Ref., Phase Noise 0 dBc/Hz and SMA

The FMXC6000 is a 10 MHz Reference Oscillator. The Oscillator has a temperature stability of +/-2.5 ppm over a temperature range of -30° C to +75° C and an aging of 1ppm maximum per year @ 25° C. This design features exceptional phase noise performance of -125 dBc/Hz @ 100 Hz offset. Supply Voltage is +12V DC. The Reference Oscillator operates over a temperature range of -30°C to +75°C.

Electrical Specifications

Description	Min	Typ	Max	Units
Ouput Frequency		10		MHz
Ref. Phase Noise @ 10Hz Offset		-100	-90	dBc/Hz
Ref. Phase Noise @ 100Hz Offset		-125	-115	dBc/Hz
Ref. Phase Noise @ 1kHz Offset		-130	-120	dBc/Hz
Ref. Phase Noise @ 10kHz Offset		-130	-120	dBc/Hz
Aging Per Year			±1	ppm
Supply Voltage (DC)	9	12	15	Vdc
Supply Current (DC)		10	15	mA

Mechanical Specifications

Size

Weight 0.081 lbs [36.74 g]

Configuration

Package Style Connectorized
Output Connector SMA Female

Environmental Specifications

Temperature

Operating Range -30 to +75 deg C

Compliance Certifications (see [product page](#) for current document)

Plotted and Other Data

Notes:



Features:

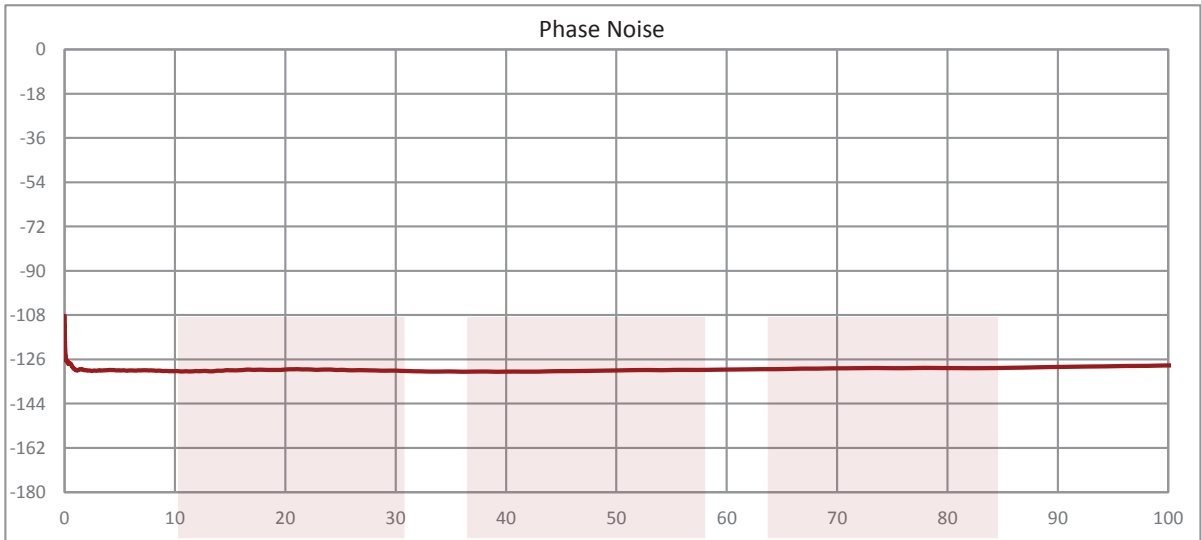
- 10 MHz Reference Oscillator
- -125 dBc/Hz @ 100Hz offset

Applications:

- Phase Locked Loop
- Function Generators
- Frequency Synthesizers
- Receivers
- Electronic Jamming Equipment
- Local Oscillator
- Wireless Communications
- SATCOM
- Optical Communications
- Military Electronic Systems

Fairview Microwave
301 Leora Ln., Suite 100
Lewisville, TX 75056
Tel: 1-800-715-4396 / (972) 649-6678
Fax: (972) 649-6689
www.fairviewmicrowave.com
sales@fairviewmicrowave.com

Typical Performance Data

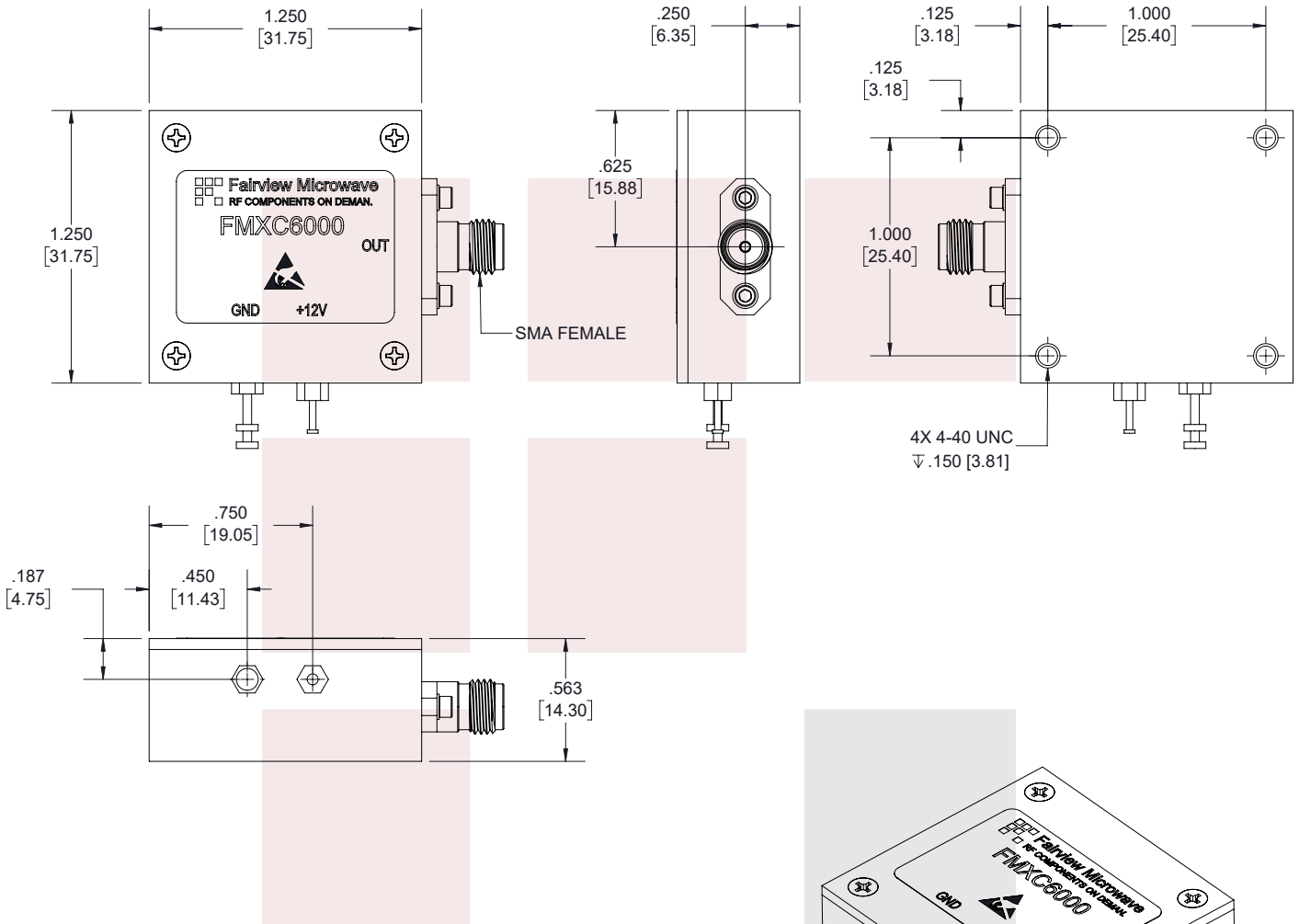


10 MHz Free Running Reference Oscillator, Ref., Phase Noise 0 dBc/Hz and SMA from Fairview Microwave is in-stock and available to ship same-day. All of our RF/microwave products are available off-the-shelf from our ISO 9001:2008 certified facilities in Allen, Texas. Fairview Microwave is RF on-demand.

For additional information on this product, please click the following link: [10 MHz Free Running Reference Oscillator, Ref., Phase Noise 0 dBc/Hz and SMA FMXC6000](https://www.fairviewmicrowave.com/10-mhz-free-running-reference-oscillator-fmxc6000-p.aspx)

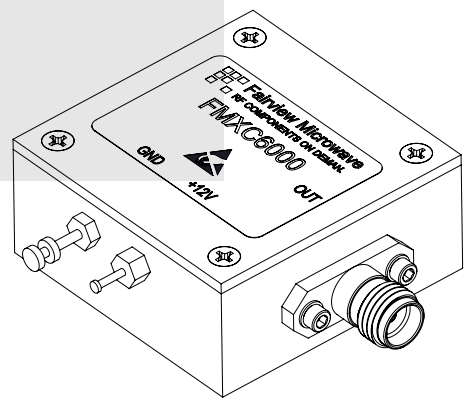
URL: <https://www.fairviewmicrowave.com/10-mhz-free-running-reference-oscillator-fmxc6000-p.aspx>

The information contained in this document is accurate to the best of our knowledge and representative of the part described herein. It may be necessary to make modifications to the part and/or the documentation of the part, in order to implement improvements. Fairview Microwave reserves the right to make such changes as required. Unless otherwise stated, all specifications are nominal. Fairview Microwave does not make any representation or warranty regarding the suitability of the part described herein for any particular purpose, and Fairview Microwave does not assume any liability arising out of the use of any part or documentation.



STANDARD TOLERANCES	
.X	±0.2
.XX	±0.01
.XXX	±0.005

*STANDARD TOLERANCES APPLY ONLY TO DIMENSIONS IN INCHES



<p>Fairview Microwave RF COMPONENTS ON DEMAND. <i>Done!</i></p>	NOTES: 1. UNLESS OTHERWISE SPECIFIED ALL DIMENSIONS ARE NOMINAL. 2. ALL SPECIFICATIONS ARE SUBJECT TO CHANGE WITHOUT NOTICE AT ANY TIME. 3. DIMENSIONS ARE IN INCHES [mm].			
	DWG NO FMXC6000		CAGE CODE 3FKR5	
TITLE 10 MHz Free Running Reference Oscillator, Ref., Phase Noise 0 dBc/Hz and SMA				
CAD FILE 04/23/18	SHEET 1 OF 1	SCALE N/A	SIZE A	7361